

## Specifications

### ■ Camera

Image Sensor	1/3.8" progressive CMOS
Effective pixels	1.23 mega pixels (1280 (H) x 960 (V) pixels)
Television signal	NTSC-compliant
Scanning frequency	Horizontal: 15.734kHz, vertical 59.94Hz
Src system	Internal
Horizontal resolution	400TV lines (standard, at center of screen)
Minimum illumination	F/1.7 2lx (AGC 24dB, 50% output)
S/N	50dB以上 (AGC OFF)
Video output	Composite video signal 1.0V(p-p) 75Ω, BNC

### ■ Lens

Focal length	f=1.09mm
Horizontal field of view	180°
F number	F/1.7

### ■ Remote control

Motion detection (MD) output	Equivalent to NPN open collector output (Max: 50mA)
USB interface	Connection via mini-USB terminal

### ■ Functions

Camera Settings	Set up by PC software
White balance	AWB / ATW / One push (tracking range 2800 to 8000K)
AGC	24dB / 30dB
Electronic shutter (AES)	Auto (1/30 ~ 1/10000)
Sens up	x4 Max
BLC (back light compensation)	ON / OFF (Select 9 measurement areas)
AE level adjustments	Yes (-3EV ~ +3EV)
Distortion compensation	Yes
Distortion compensation image field of view	Select from horizontal 120° and 180°
Image adjustments	Saturation adjustment / Sharpness adjustment / Brightness adjustment / Contrast adjustment / Hue adjustment
Electronic PAN/TILT	Yes
Electronic zoom	Yes (x4 Max)
Preset positions	9 (fixed positions)
Preset sequence	Yes (up to 12 preset positions)
Motion detection	Yes
Mirror mode	Yes (horizontal flip)
ND filter	Switcheable ON/OFF

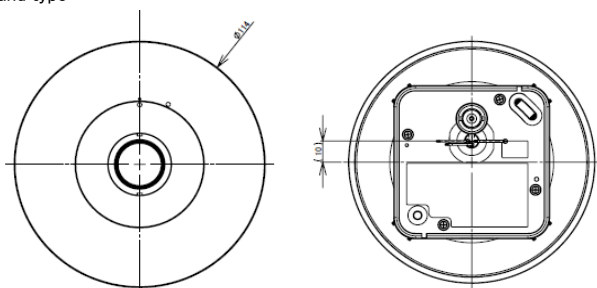
### ■ Other Specifications

Power Supply	DC 12V ±10%
Power consumption	3.0W (250mA)
Dimensions	72 x 72 mm, 40mm in depth (excluding cable)
Weight	Approximately 100g
Operating temperature range	-10°C ~ +50°C (recommended: 0°C ~ 40°C)
Operating humidity range	30% ~ 80% RH (without condensation)
IP66	compatible
Accessories	Round type (130NT-P-RC)  Square type (130NT-P-SC)  Wall mount (130NT-P-WM) Tilting wall mount (130NT-P-WTM) Tripod stand (130NT-P-TB)

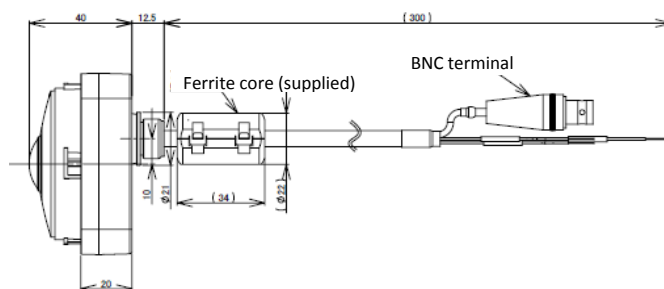
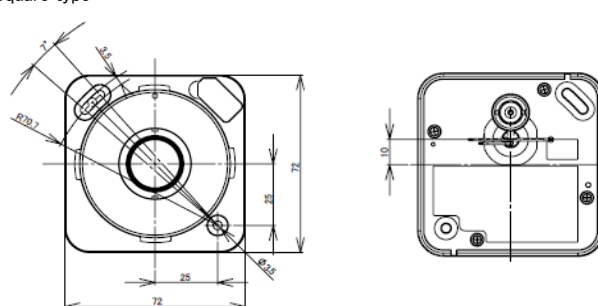
## Dimensions

unit: mm

### ■ Round type



### ■ Square type



型番

130NT-P-CM

Tamron co.Ltd

category

CCTV camera

page

1/1