

TAMRON

LW IR Thermal Camera Module LW10F42-UT

Overview

- Compact Thermal Camera Module products adopted by shutter-less NUC (Nonuniformity Correction)
- Three products which cover from wide to telephoto field of view available. (LW10F42-UT : this model uses midium telephoto lens)
- Thanks to high performance lenses and original temperature computation format, able to measure temperature of the dedicated points. and output both temperature data and thermal image data at the same time

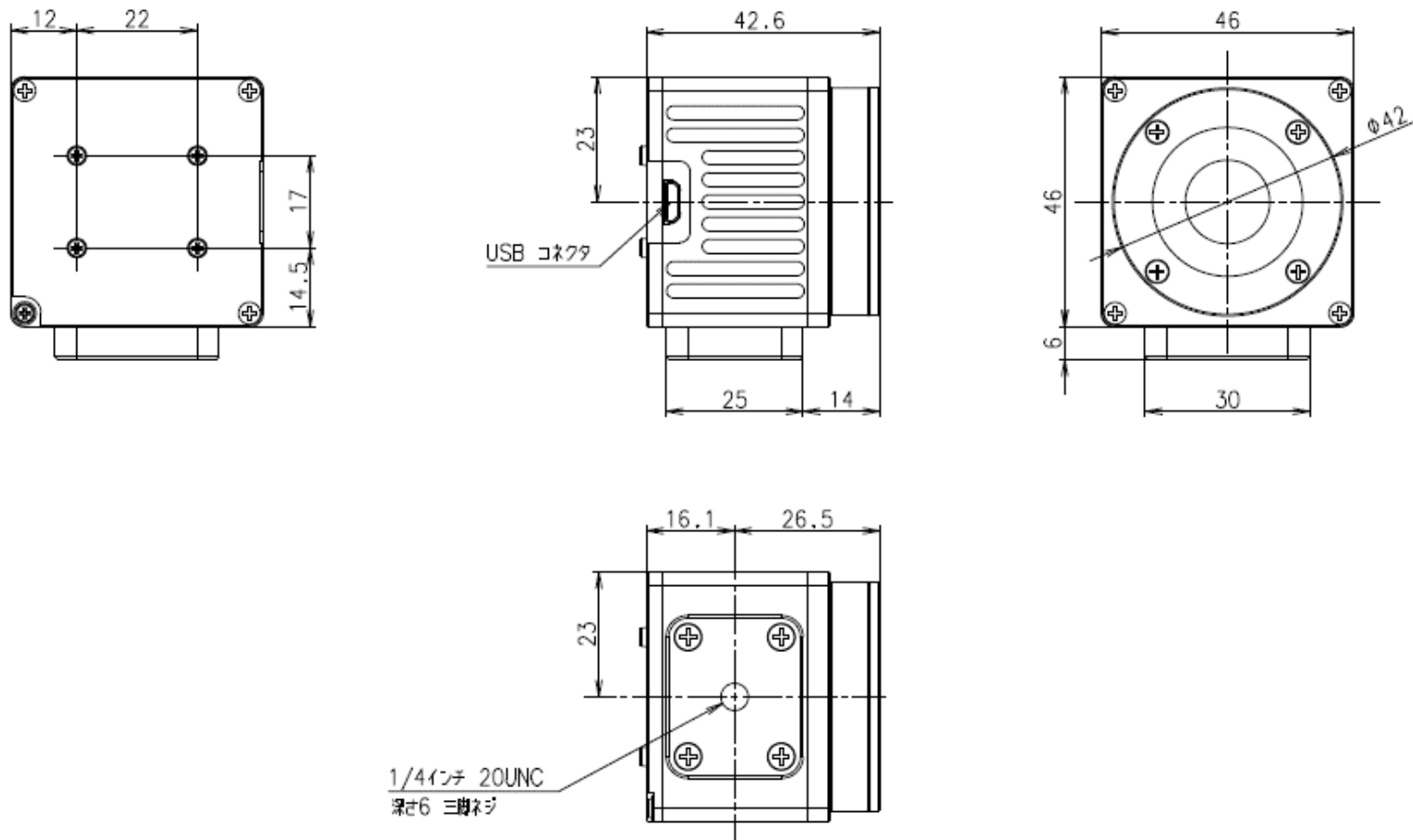
Specifications

■ Detector Detector type Uncooled microbolometer Wavelength 8~14 μm		■ Image processing Noise reduction (DNR) OFF/2D/3D (16bit temperature/8bit thermal image mode) GAMMA Adjustable(at 8bit thermal image mode) Histogram average Auto/Manual(at 8bit thermal image mode)	
■ Image/Optical Effective pixel 80 x 80 pixel NETD 100mK (typical) Lens Focal Length f=3.7mm F/1.1 Field of view (FOV) 42° (H) x 42° (V) Focus Adjustable Minimum object distance 50cm		■ Interface Interface USB2.0 (UART 2ports) UART communication Interface connector Micro USB Type-B connector (USB cable not attached) Output data 1)16bit temperature data 2) 8bit thermal image data 3)16bit temperature + 8bit thermal image data 1)2)3): selectable	
■ Temperature measurement Temperature correction Tamron's original temperature computation format Thermal image temperature range -40°C~200°C Temperature measurement range 10°C~100°C Temperature measurement accuracy 10°C~60°C: ±2°C ※Ambient Temperature : 10°C~40°C 10°C~100°C: ±5°C ※Ambient Temperature : 0°C~60°C ※Not able to guarantee absolute temperature Variance may occur due to difference in measurement conditions		communication protocol Tamron original protocol Frame rate 1/2/4/8 fps	
■ Temperature analysis function Temperature analysis area 6400 pixel (always measures temperature each pixel)		■ General Power requirement 5V DC (via USB) Power consumption Max 1.0W Performance temperature/humidit 0°C ~ +60°C / 20 ~80% (no condensation) Operating temperature/humidity -20°C ~ +70°C / 20 ~80% (no condensation) Storage temperature -20°C ~ +70°C Dimensions (W x H x D) 46 x 46 x 42.6mm Weight Approx 153g Dust/Water proof equivalent to IP52 level	

※Specifications and design subject to change without notice

Dimensions

unit: mm



1/4インチ 20UNC
深さ6 ミリネジ

Model name	Tamron co.Ltd	Category	Issue	page
LW10F42-UT		LW IR Thermal camera module	2022/10	1/1