

Lucky (101 dalmatians puppy)

Yun/Freedog form factor shield

11 Oct 2014 Rev. 3.2




dog hunter AG
Bärenstrasse 14
6300 Zug
Switzerland

Author = C.Filip
Variant Name = <Core Design>

Title	Front page		
Size	Document Number	Lucky	Rev
A3			3.2
Date:	Tuesday, February 24, 2015	Sheet	1 of 5

Vers.	Date	Author	Description	PCB Ver
0.1	29/12/2013	C.Pino	Initial draft.	--
0.2	30/12/2013	C.Pino	Added multi-range voltage interface capability.	--
0.3	08/04/2014	C.Pino	Modified OLED interface	--
1.0	24/04/2014	C.Pino	PCB V01	V01
2.0	11/06/2014	C.Pino	Added I/O Extender, PIR and Humidity sensor	V02
2.1	13/06/2014	C.Pino	Added relays	V02
3.0	27/09/2014	C.Pino	<ul style="list-style-type: none"> - Added R62 - CDS: CDS-9006 --> PDV-P9006 - U4: HIH8131-021-001 --> SHT20 - Connected U3 EN to U7 IO0.0 (ACC EN) - RL1,RL2: IMC03GR --> DS1E-S-DC5V - S2,S3: FSM18JH --> TSSKB-PL 	--
3.1	09/10/2014	C.Pino	Added R63	--
3.2	11/10/2014	C.Pino	J2: 8 --> 12 contacts	V03
3.3	01/12/2014	Peter	<ul style="list-style-type: none"> - Added J8 - Delete U4(SHT20) - Delete U6(MPL3115) 	V03

Author = C.Pino
Variant Name = <Core Design>



dog hunter AG
Baslerstrasse 14
6300 Zug
Switzerland

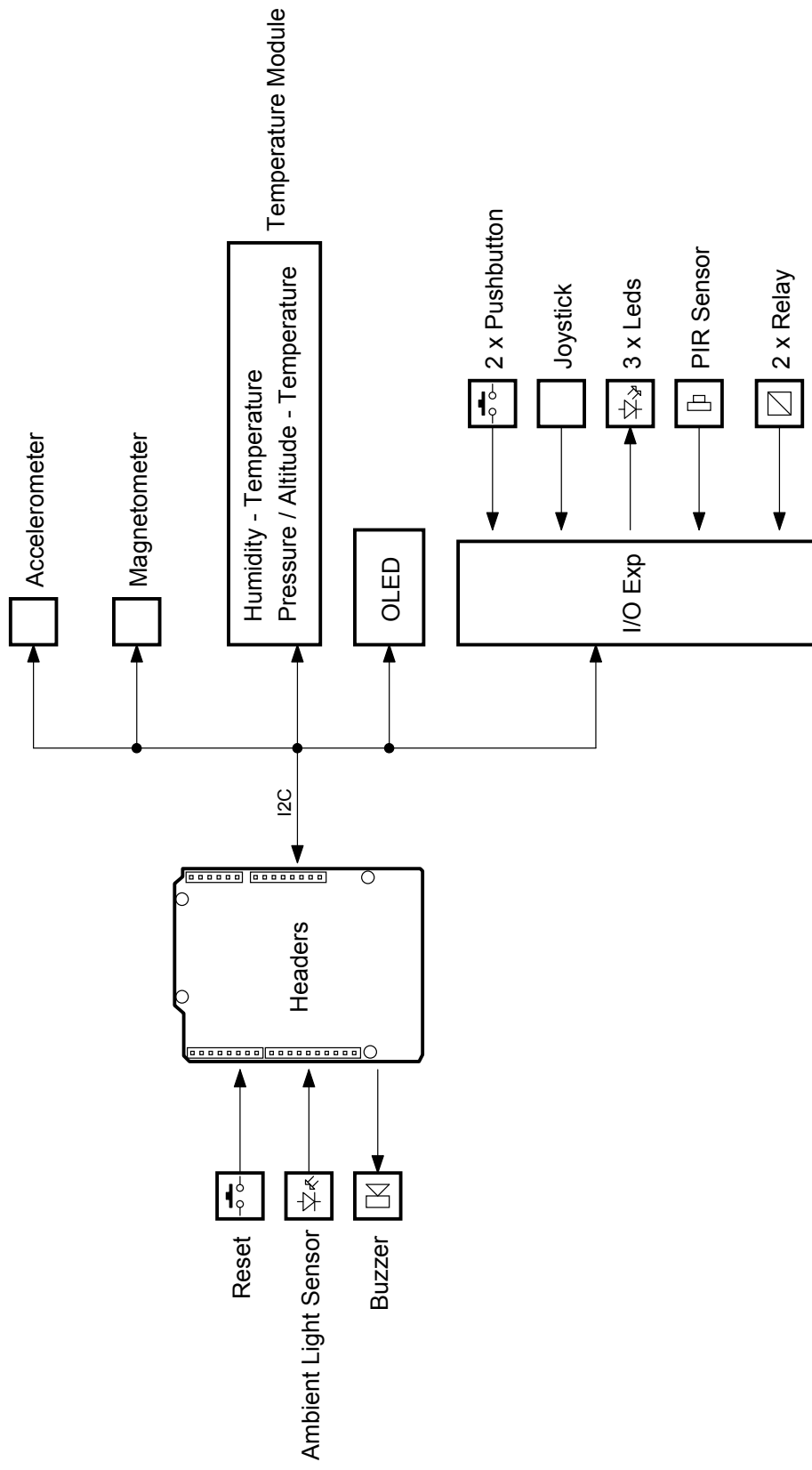
Revision History

Doc Number	Author
Lucky	

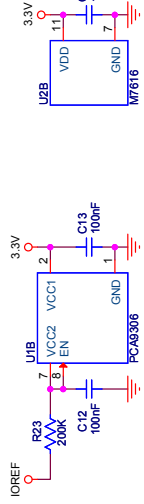
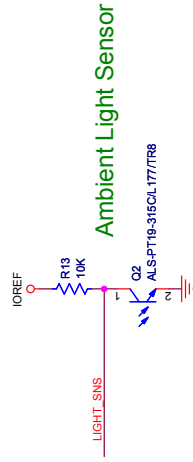
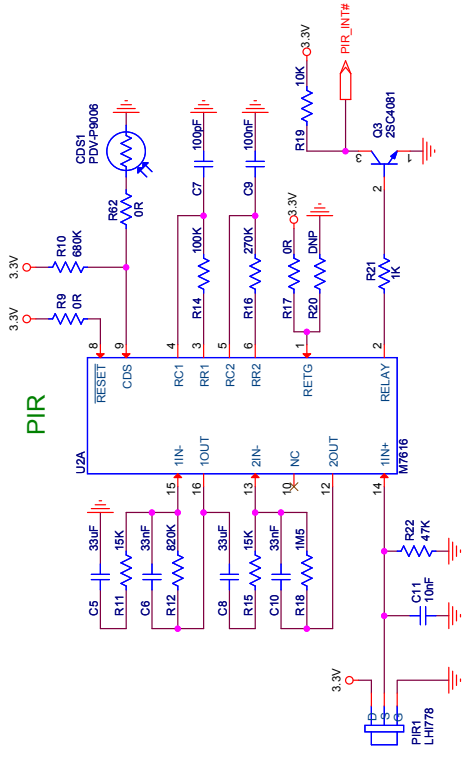
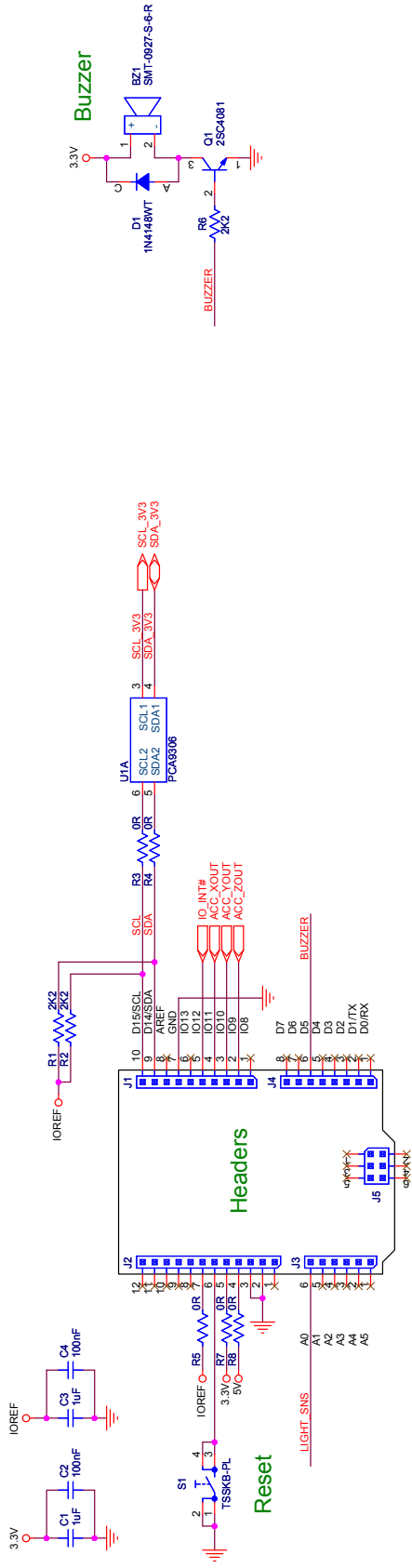
Date: Tuesday, February 24, 2015

Sheet 2 of 5

Block Diagram

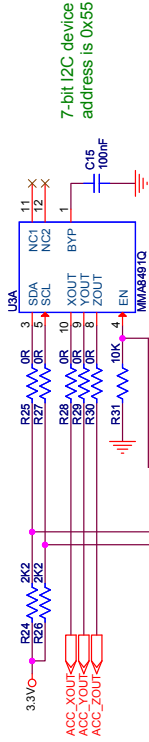


Headers & PIR

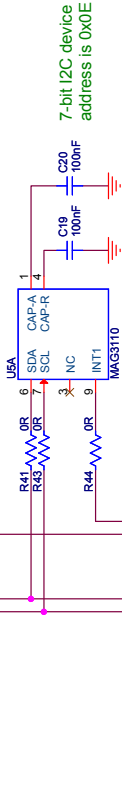


OLED & Sensors

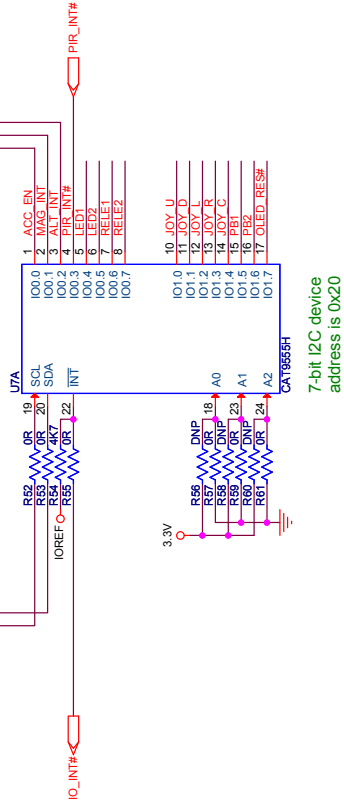
Multifunction Digital Accelerometer



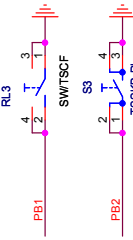
Three-Axis Digital Magnetometer



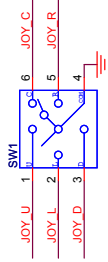
Digital I/O Expander



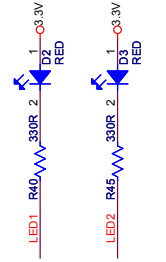
User Buttons



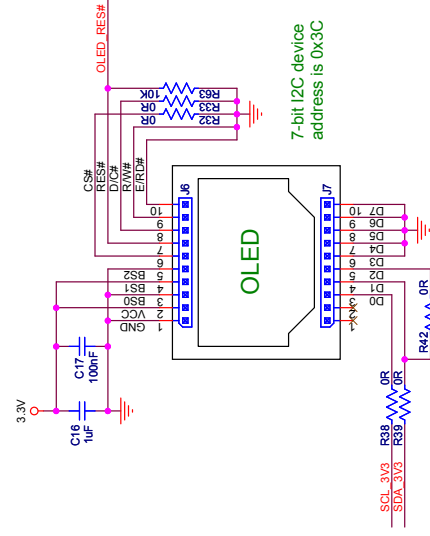
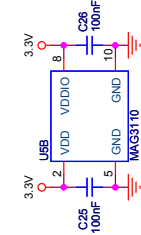
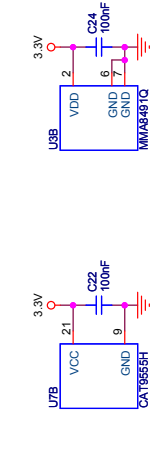
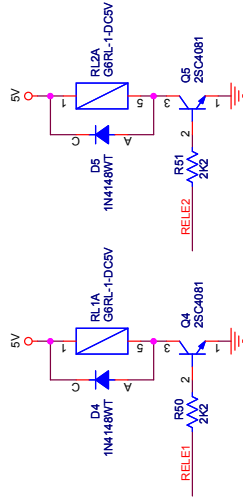
Joystick



User LEDs



Power Led



Author = C. Piro
Variant Name = <Core Design>

dog hunter AG	
Bärenstrasse 14	
6300 Zug	
Switzerland	
Title	
PIR Sensor	
Document Number	Lucky
Sheet	5 of 5
Date:	Tuesday, February 24, 2015
Rev	3.2

Document under NDA ?dog hunter AG Zug CH