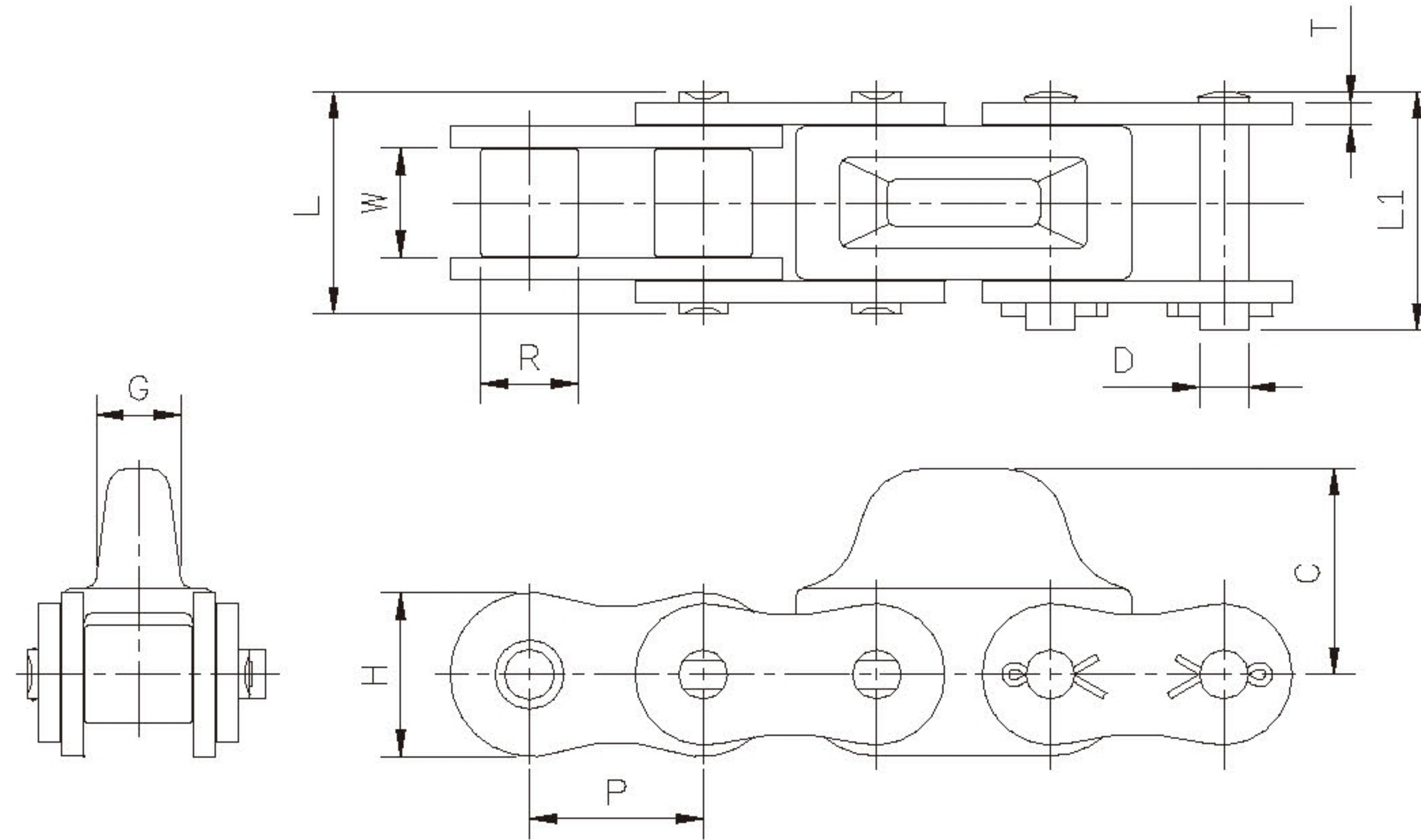


DOG CHAIN



CHAIN NO.	Pitch		Dimension									Ultimate Strength kgf(min)
	P		W(min)	R(max)	D(max)	L(max)	L1(max)	H(max)	T	C	G	
	inch	mm										
160-X348	2"	50.8	31.75	28.58	14.29	65.5	73.4	48.26	6.40	53.3	15.88	22755
160-X458	2"	50.8	31.75	28.58	14.29	65.5	73.4	48.26	6.40	60.3	25.4	22755
160-X678	2"	50.8	31.75	28.58	14.29	65.5	73.4	48.26	6.40	76.2	27.0	22755

Induction hardened is available when required.