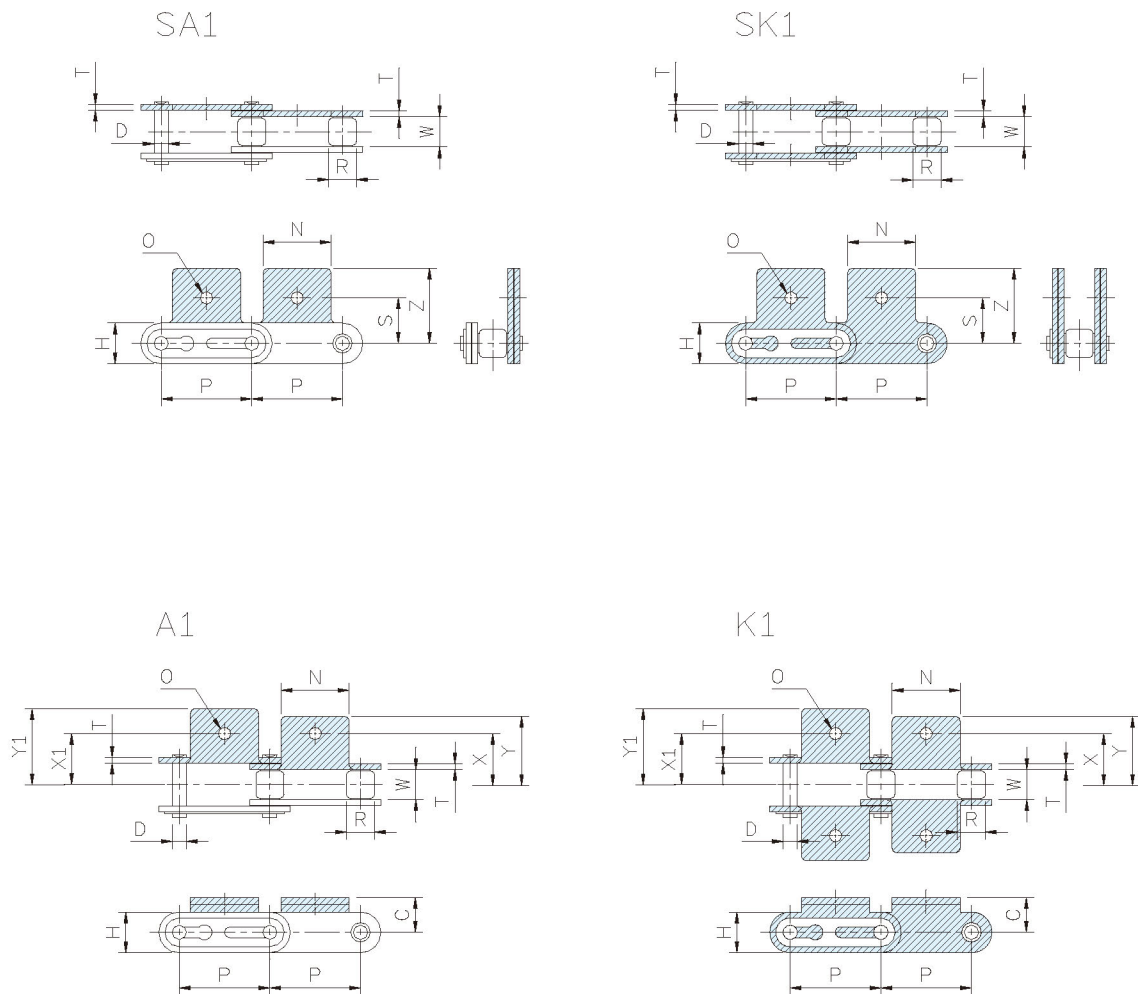


DOUBLE PITCH ROLLER CHAIN ATTACHMENTS



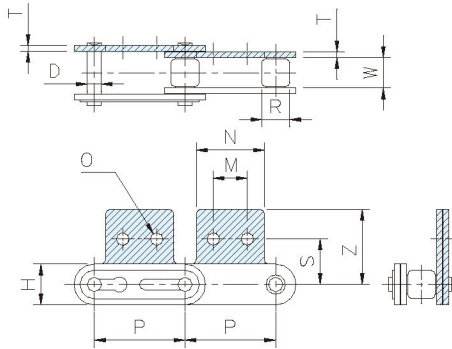
CHAIN NO.	Pitch		Width	Roller	Plate		Pin	Attachment									Allowable	
	P		W	Dia	Height	Thick.	Dia	A-1, K-1			SA-1, SK-1			Load kgf(max)				
	inch	mm	(min)	R(max)	H(max)	T	D(max)	N	O(min)	C	X	Y	X1		Y1	S	Z	
C2040SS	1"	25.40	7.85	7.92	12.0	1.50	3.98	19.10	3.50	5.10	9.10	12.70	17.65	12.70	19.30	11.10	19.80	45
C2042SS	1"	25.40	7.85	15.88	12.0	1.50	3.98	19.10	3.50	5.10	9.10	12.70	17.65	12.70	19.30	11.10	19.80	45
C2050SS	1-1/4"	31.75	9.40	10.16	15.0	2.00	5.09	23.80	5.10	6.70	11.10	15.90	21.95	15.90	24.15	14.25	24.10	70
C2052SS	1-1/4"	31.75	9.40	19.05	15.0	2.00	5.09	23.80	5.10	6.70	11.10	15.90	21.95	15.90	24.15	14.25	24.10	70
C2060HSS	1-1/2"	38.10	12.57	11.91	18.0	3.20	5.96	28.60	5.10	8.60	14.70	21.45	28.20	21.45	31.45	17.50	31.55	105
C2062HSS	1-1/2"	38.10	12.57	22.23	18.0	3.20	5.96	28.60	5.10	8.60	14.70	21.45	28.20	21.45	31.45	17.50	31.55	105
C2080HSS	2"	50.80	15.75	15.88	24.1	4.00	7.94	38.10	6.70	10.20	19.10	27.80	36.52	27.80	40.70	22.20	40.50	180
C2082HSS	2"	50.80	15.75	28.58	24.1	4.00	7.94	38.10	6.70	10.20	19.10	27.80	36.52	27.80	40.70	22.20	40.50	180

Any special specifications, please feel free to contact us.

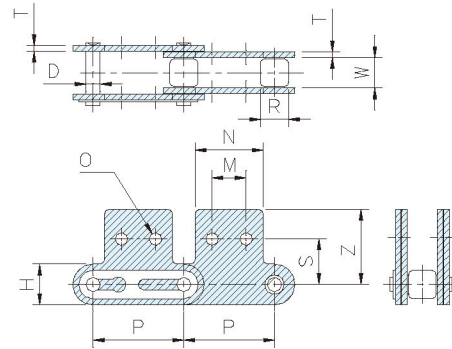
Note: AISI 304 chain is with slightly magnetic due to cold forming of parts.

DOUBLE PITCH ROLLER CHAIN ATTACHMENTS

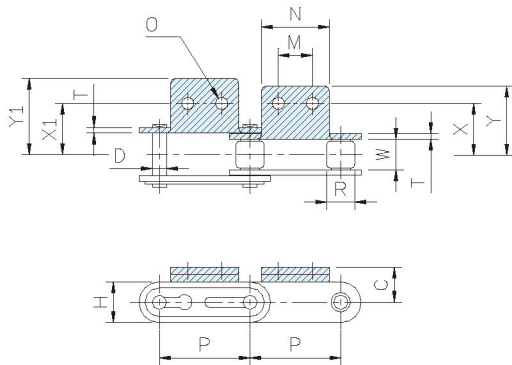
SA2



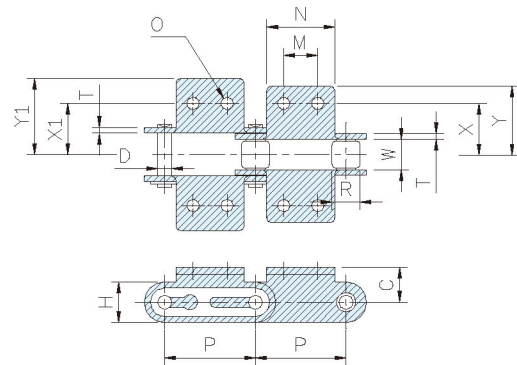
SK2



A2



K2



Attachments Chains

CHAIN NO.	Pitch		Width		Roller		Plate		Pin		Attachment								Allowable Load kgf(max)
	P		W (min)	Dia R(max)	Height H(max)	Thick. T	Dia D(max)	A-2,K-2			SA-2,SK-2								
	inch	mm						N	O(min)	M	C	X	Y	X1	Y1	S	Z		
C2040SS	1"	25.40	7.85	7.92	12.0	1.50	3.98	19.10	3.50	9.50	9.10	12.70	17.65	12.70	19.30	13.60	19.80	45	
C2042SS	1"	25.40	7.85	15.88	12.0	1.50	3.98	19.10	3.50	9.50	9.10	12.70	17.65	12.70	19.30	13.60	19.80	45	
C2050SS	1-1/4"	31.75	9.40	10.16	15.0	2.00	5.09	23.80	5.10	11.90	11.10	15.90	21.95	15.90	24.15	15.90	24.10	70	
C2052SS	1-1/4"	31.75	9.40	19.05	15.0	2.00	5.09	23.80	5.10	11.90	11.10	15.90	21.95	15.90	24.15	15.90	24.10	70	
C2060HSS	1-1/2"	38.10	12.57	11.91	18.0	3.20	5.96	28.60	5.10	14.30	14.70	21.45	28.20	21.45	31.45	19.10	31.55	105	
C2062HSS	1-1/2"	38.10	12.57	22.23	18.0	3.20	5.96	28.60	5.10	14.30	14.70	21.45	28.20	21.45	31.45	19.10	31.55	105	
C2080HSS	2"	50.80	15.75	15.88	24.1	4.00	7.94	38.10	6.70	19.10	19.10	27.80	36.52	27.80	40.70	25.40	40.50	180	
C2082HSS	2"	50.80	15.75	28.58	24.1	4.00	7.94	38.10	6.70	19.10	19.10	27.80	36.52	27.80	40.70	25.40	40.50	180	

Any special specifications, please feel free to contact us.
 Note : AISI 304 chain is with slightly magnetic due to cold forming of parts.