



# 2-1/2" Bore Non Magnetic Piston

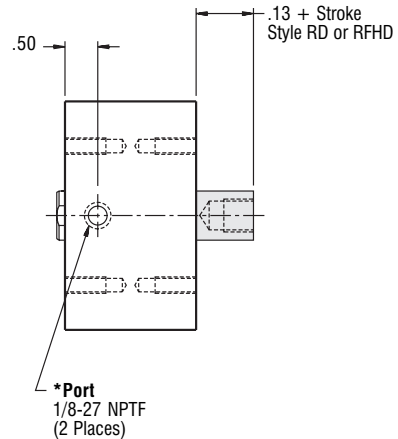
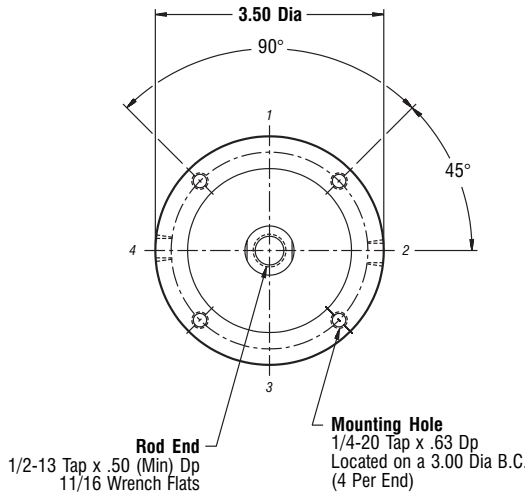
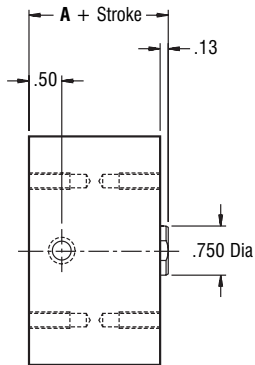
2-1/2" Bore • 2-1/2" Bore • 2-1/2" Bore • 2-1/2" Bore • 2-1/2" Bore

**Part Number**

Duty	Single Rod	Double Rod	Stock Stroke Length	A
Standard	R212x__	RD212x__	1/8, 1/4, 3/8, 1/2, 5/8, 3/4	1.38
Intermediate	RHH212x__		1/8, 1/4, 3/8, 1/2	1.63
Heavy	RFH212x__	RFHD212x__	1/8, 1/4	1.88

Standard Mounting: **TF TR TBE**  
Optional Mounting: **TM**

\*Optional Poritng: 1/4-18 NPTF



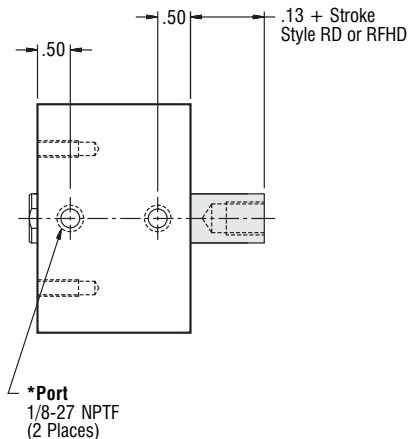
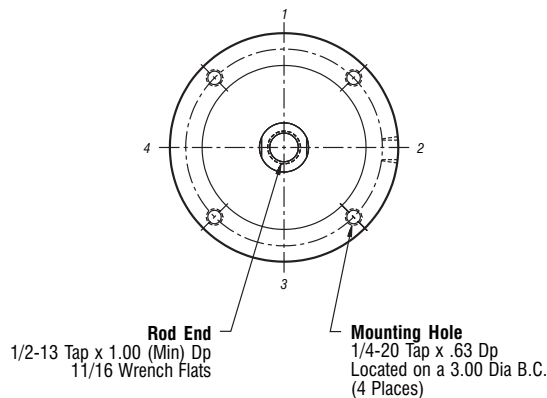
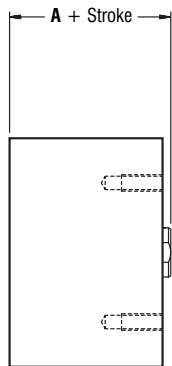
**Part Number**

Duty	Single Rod	Double Rod	Stock Stroke Length	A
Standard	R212x__	RD212x__	7/8, 1, 1-1/4, 1-1/2, 1-3/4, 2, 2-1/2, 3, 3-1/2, 4	1.38
Intermediate	RHH212x__		5/8, 3/4, 1, 1-1/4, 1-1/2, 1-3/4, 2-1/4, 2-3/4, 3-1/4, 3-3/4	1.63
Heavy	RFH212x__	RFHD212x__	3/8, 1/2, 3/4, 1, 1-1/4, 1-1/2, 2, 2-1/2, 3, 3-1/2, 4	1.88

Standard Mounting: **TF**  
Optional Mounting: **TR TBE TM**

\*Optional Poritng: 1/4-18 NPTF

— Information same as above except where noted —



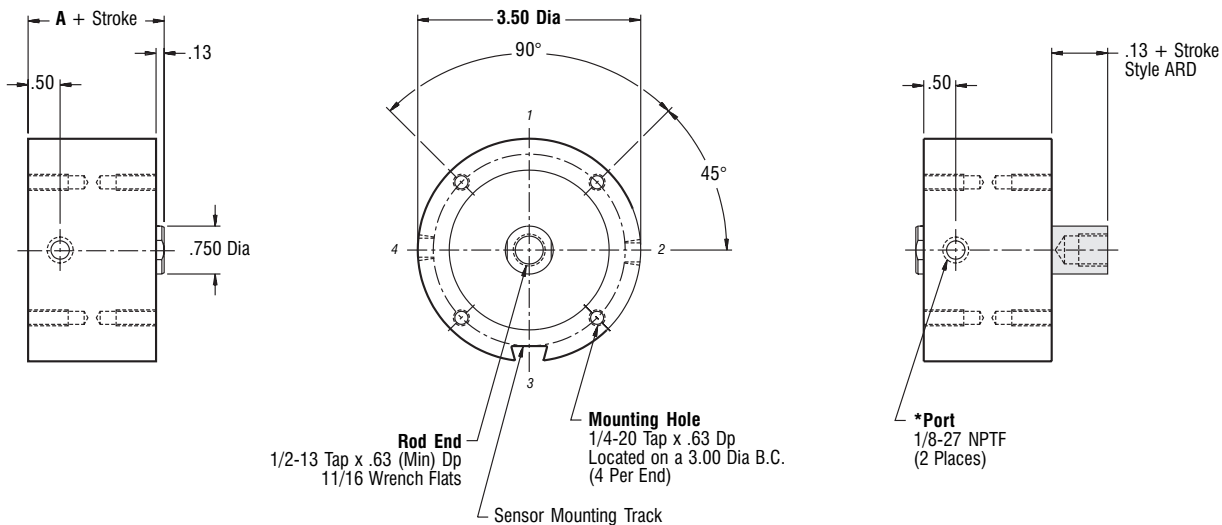


# Magnetic Piston

# 2-1/2" Bore

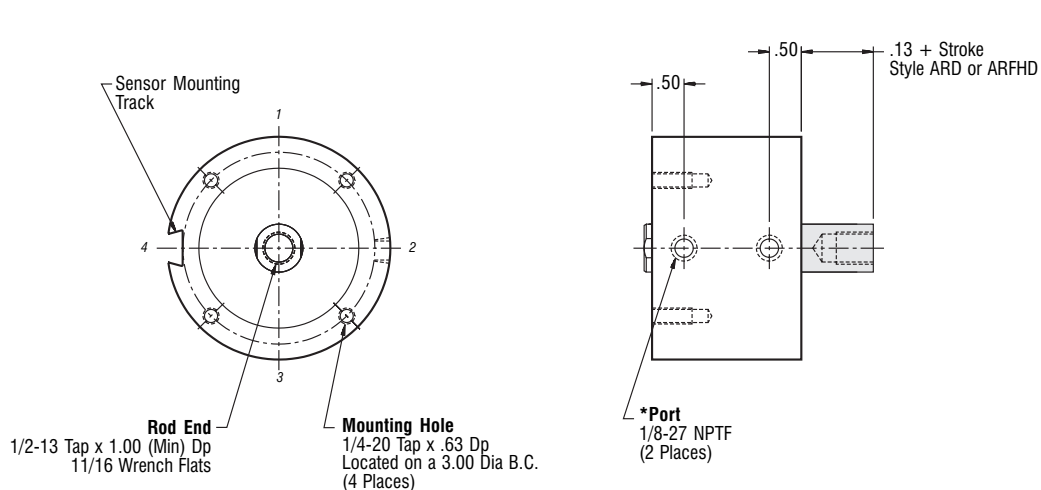
2-1/2" Bore • 2-1/2" Bore • 2-1/2" Bore • 2-1/2" Bore • 2-1/2" Bore

Part Number					
Duty	Single Rod	Double Rod	Stock Stroke Length	A	
Standard	AR212x__	ARD212x__	1/8, 1/4, 3/8, 1/2	1.63	Standard Mounting: TF TR TBE Optional Mounting: TM
Intermediate	ARHH212x__		1/8, 1/4	1.88	*Optional Porting: 1/4-18 NPTF



Part Number					
Duty	Single Rod	Double Rod	Stock Stroke Length	A	
Standard	AR212x__	ARD212x__	5/8, 3/4, 1, 1-1/4, 1-1/2, 1-3/4, 2-1/4, 2-3/4, 3-1/4, 3-3/4	1.63	Standard Mounting: TF Optional Mounting: TR TBE TM
Intermediate	ARHH212x__		3/8, 1/2, 3/4, 1, 1-1/4, 1-1/2, 2, 2-1/2, 3, 3-1/2, 4	1.88	
Heavy	ARFH212x__	ARFHD212x__	1/8, 1/4, 1/2, 3/4, 1, 1-1/4, 1-3/4, 2-1/4, 2-3/4, 3-1/4, 3-3/4	2.13	*Optional Porting: 1/4-18 NPTF

— Information same as above except where noted —



X