

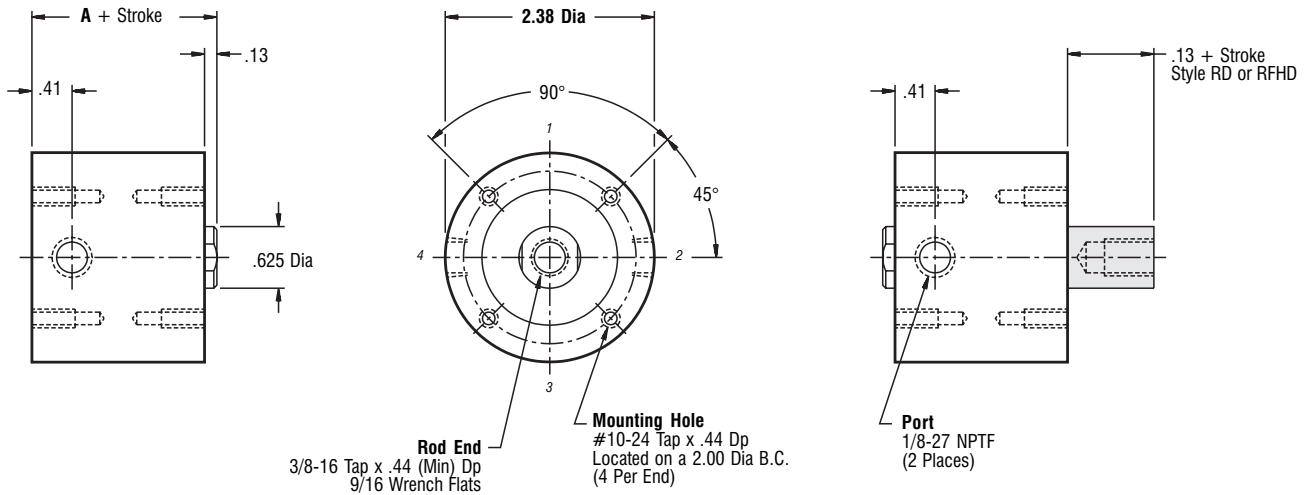


1-5/8" Bore Non Magnetic Piston

1-5/8" Bore • 1-5/8" Bore • 1-5/8" Bore • 1-5/8" Bore

Part Number		Stock Stroke Length	A	
Duty	Single Rod			Double Rod
Standard	R158x__	RD158x__	1/8, 1/4, 3/8, 1/2, 5/8, 3/4	1.13
Intermediate	RHH158x__		1/8, 1/4, 3/8, 1/2	1.38
Heavy	RFH158x__	RFHD158x__	1/8, 1/4	1.63

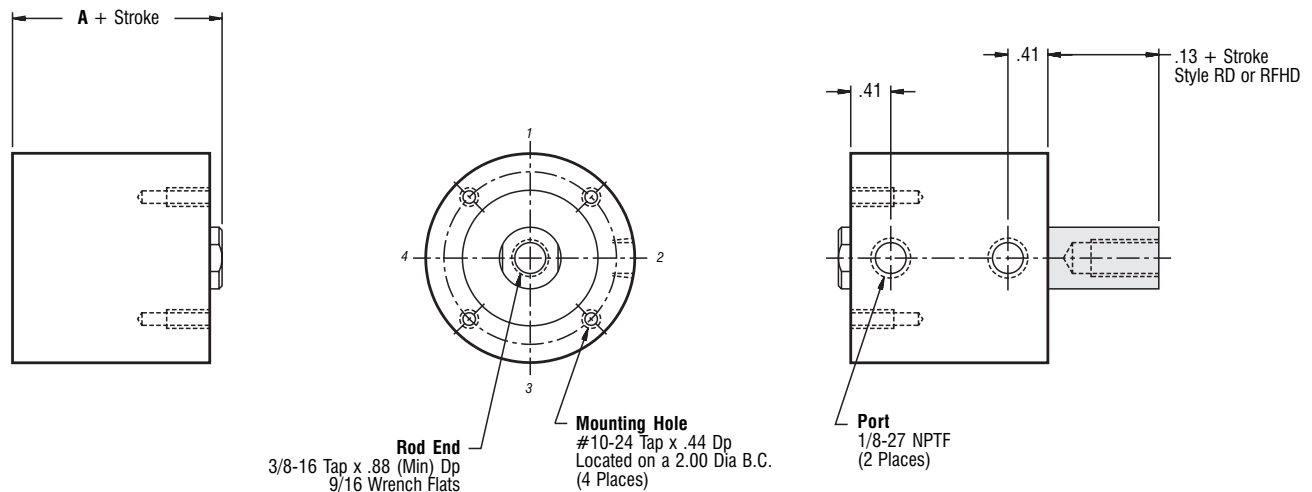
Standard Mounting: **TF TR TBE**
Optional Mounting: **TM**



Part Number		Stock Stroke Length	A	
Duty	Single Rod			Double Rod
Standard	R158x__	RD158x__	7/8, 1, 1-1/4, 1-1/2, 1-3/4, 2, 2-1/2, 3, 3-1/2, 4	1.13
Intermediate	RHH158x__		5/8, 3/4, 1, 1-1/4, 1-1/2, 1-3/4, 2-1/4, 2-3/4, 3-1/4, 3-3/4	1.38
Heavy	RFH158x__	RFHD158x__	3/8, 1/2, 3/4, 1, 1-1/4, 1-1/2, 2, 2-1/2, 3, 3-1/2, 4	1.63

Standard Mounting: **TF**
Optional Mounting: **TR TBE TM**

— Information same as above except where noted —



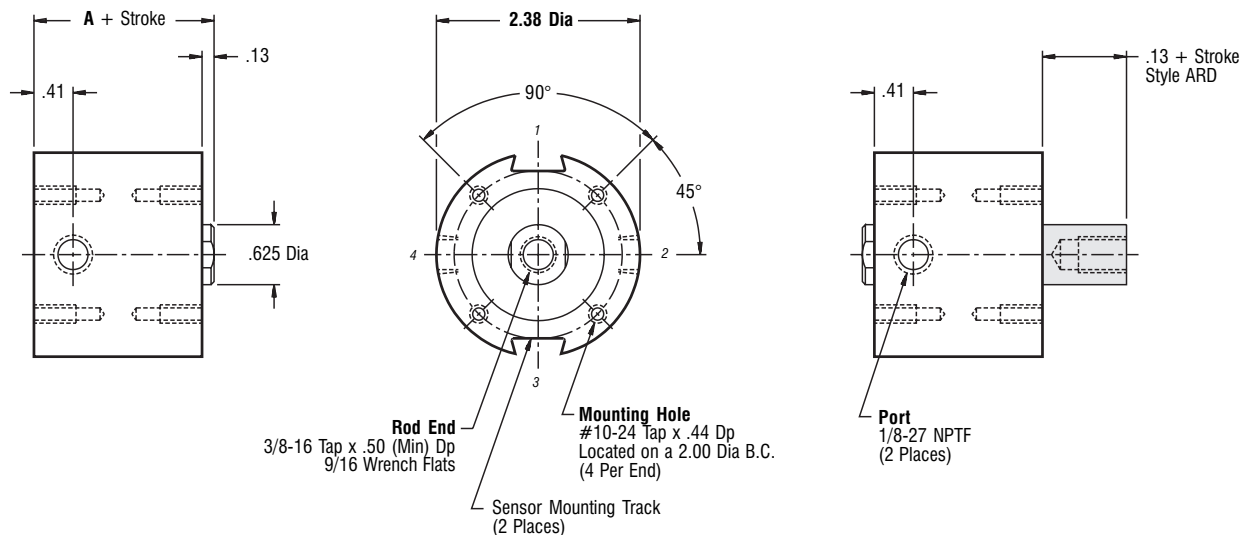


Magnetic Piston

1-5/8" Bore

	Part Number		Stock Stroke Length	A
Duty	Single Rod	Double Rod		
Standard	AR158x	ARD158x	1/8, 1/4, 3/8, 1/2	1.38
Intermediate	ARHH158x		1/8, 1/4	1.63

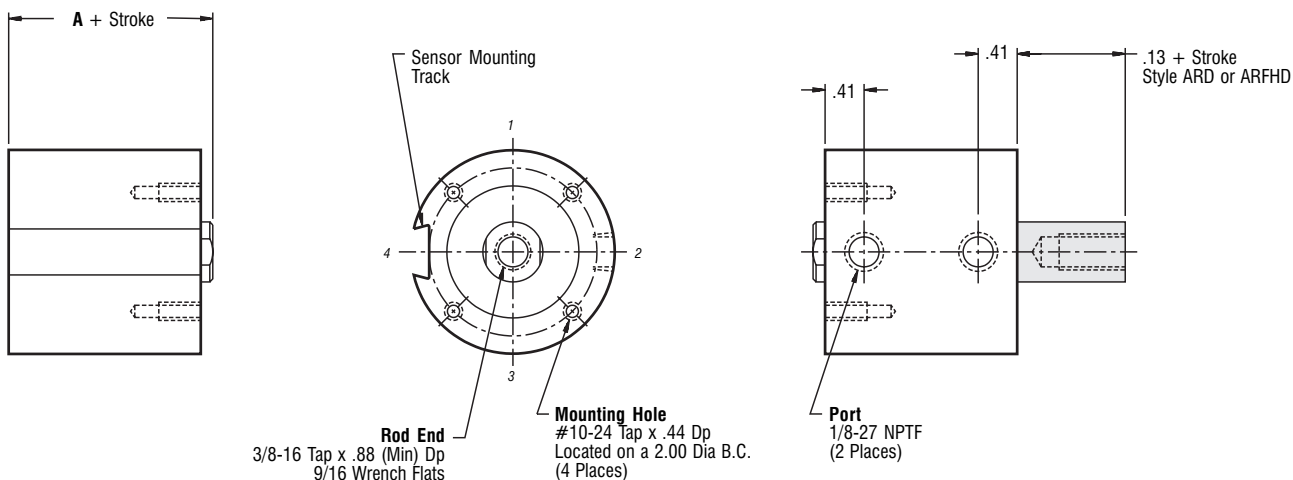
Standard Mounting: TF TR TBE
Optional Mounting: TM



	Part Number		Stock Stroke Length	A
Duty	Single Rod	Double Rod		
Standard	AR158x	ARD158x	5/8, 3/4, 1, 1-1/4, 1-1/2, 1-3/4, 2-1/4, 2-3/4, 3-1/4, 3-3/4	1.38
Intermediate	ARHH158x		3/8, 1/2, 3/4, 1, 1-1/4, 1-1/2, 2, 2-1/2, 3, 3-1/2, 4	1.63
Heavy	ARFH158x	ARFHD158x	1/8, 1/4, 1/2, 3/4, 1, 1-1/4, 1-3/4, 2-1/4, 2-3/4, 3-1/4, 3-3/4	1.88

Standard Mounting: TF
Optional Mounting: TR TBE TM

— Information same as above except where noted —



1-5/8" Bore • 1-5/8" Bore • 1-5/8" Bore • 1-5/8" Bore • 1-5/8" Bore • 1-5/8" Bore