



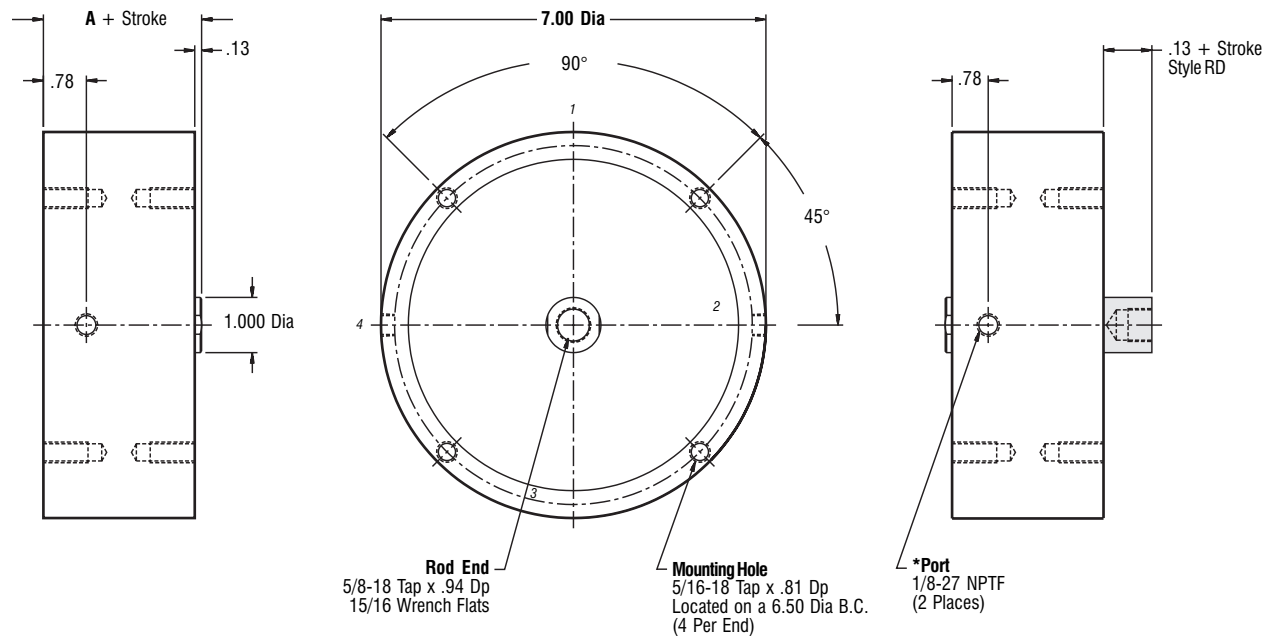
# 6" Bore

# Non Magnetic Piston

**Part Number**

Duty	Single Rod	Double Rod	Stock Stroke Length	A
Standard	R6x___	RD6x___	1/2	2.13

Standard Mounting: **TF TR TBE**  
 Optional Mounting: **TM**  
 \*Optional Porting: **1/4-18 NPTF**

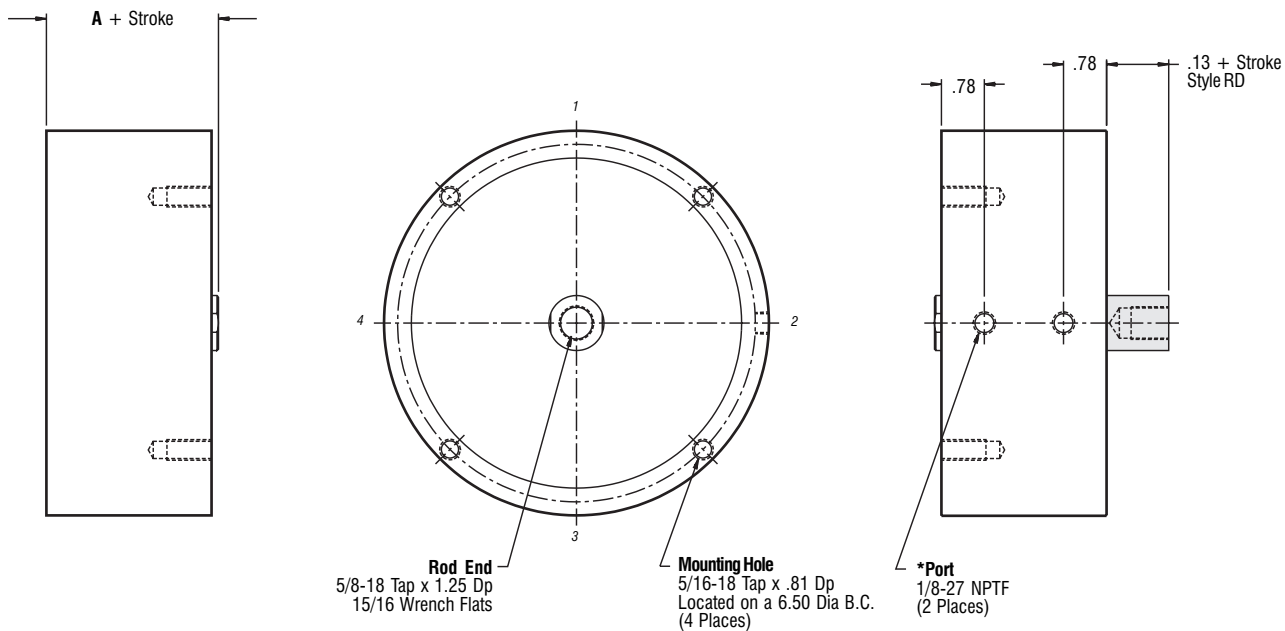


**Part Number**

Duty	Single Rod	Double Rod	Stock Stroke Length	A
Standard	R6x___	RD6x___	1, 2, 3, 4	2.13

Standard Mounting: **TF**  
 Optional Mounting: **TR TBE TM**  
 \*Optional Porting: **1/4-18 NPTF**

— Information same as above except where noted —



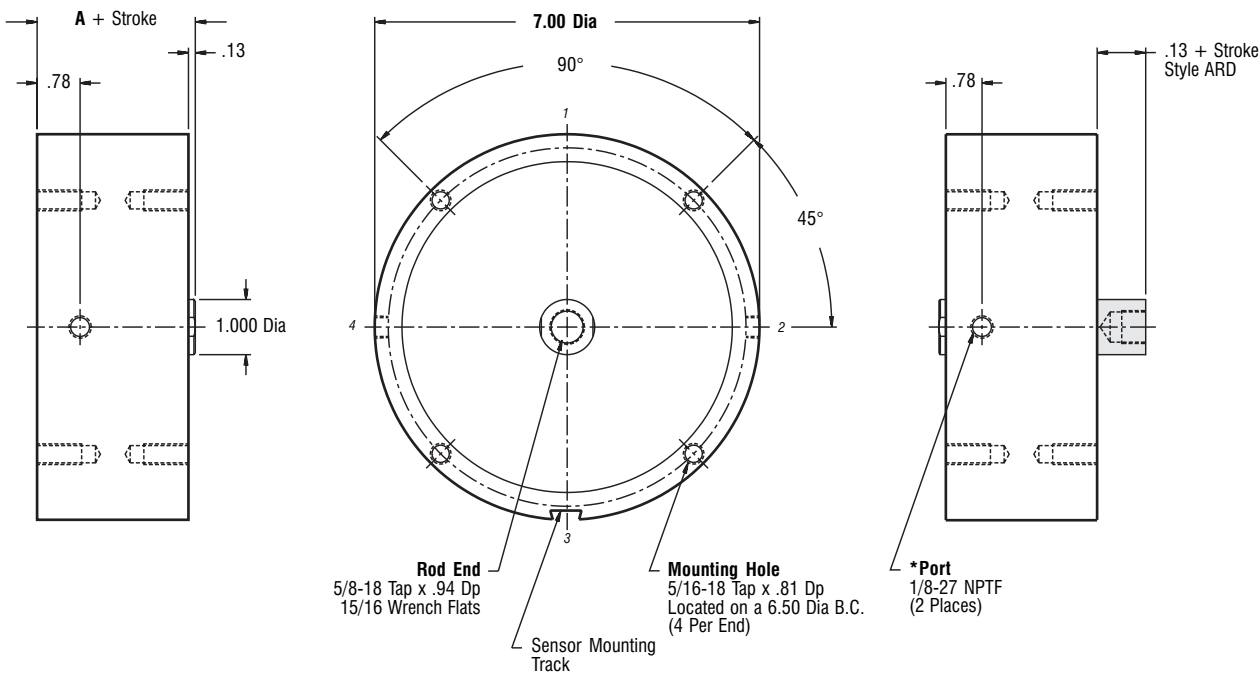
6" Bore • 6" Bore • 6" Bore • 6" Bore • 6" Bore • 6" Bore



# Magnetic Piston

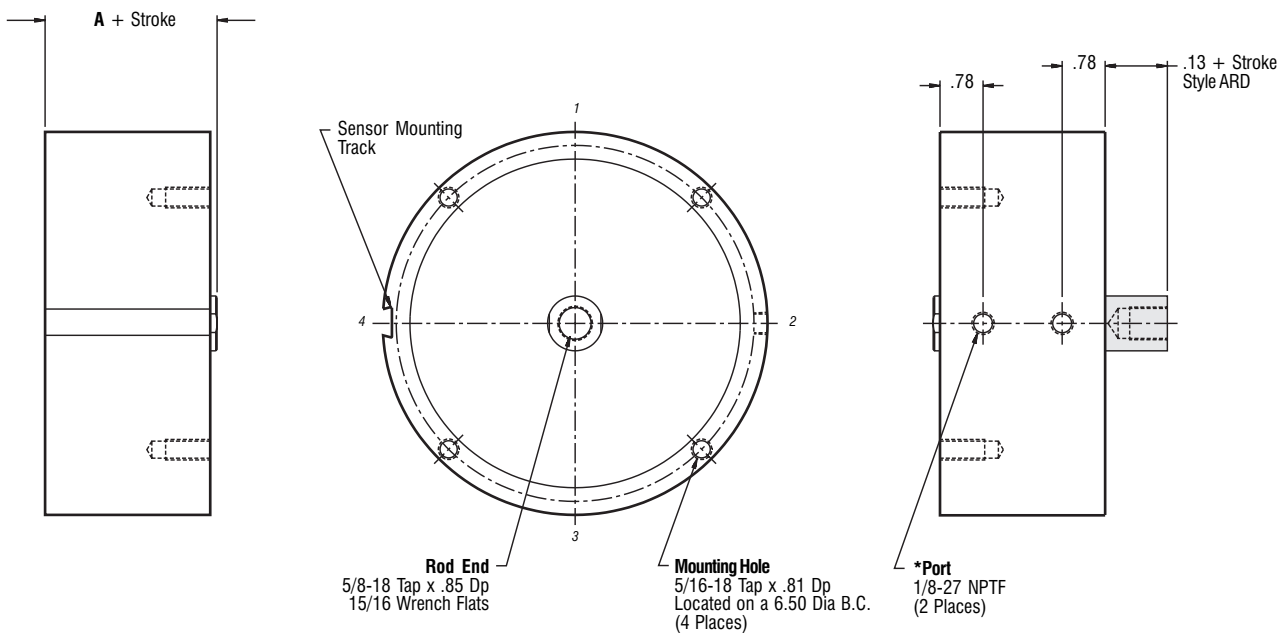
# 6" Bore

Part Number		Stock Stroke Length	A	Standard Mounting: TF TR TBE Optional Mounting: TM *Optional Porting: 1/4-18 NPTF
Duty	Single Rod Double Rod			
Standard	AR6x__ ARD6x__	1/4	2.38	



Part Number		Stock Stroke Length	A	Standard Mounting: TF Optional Mounting: TR TBE TM *Optional Porting: 1/4-18 NPTF
Duty	Single Rod Double Rod			
Standard	AR6x__ ARD6x__	3/4, 1-3/4, 2-3/4, 3-3/4	2.38	

— Information same as above except where noted —



Part Number  X   Stroke  Options - See 'Options' section