



# 4" Bore

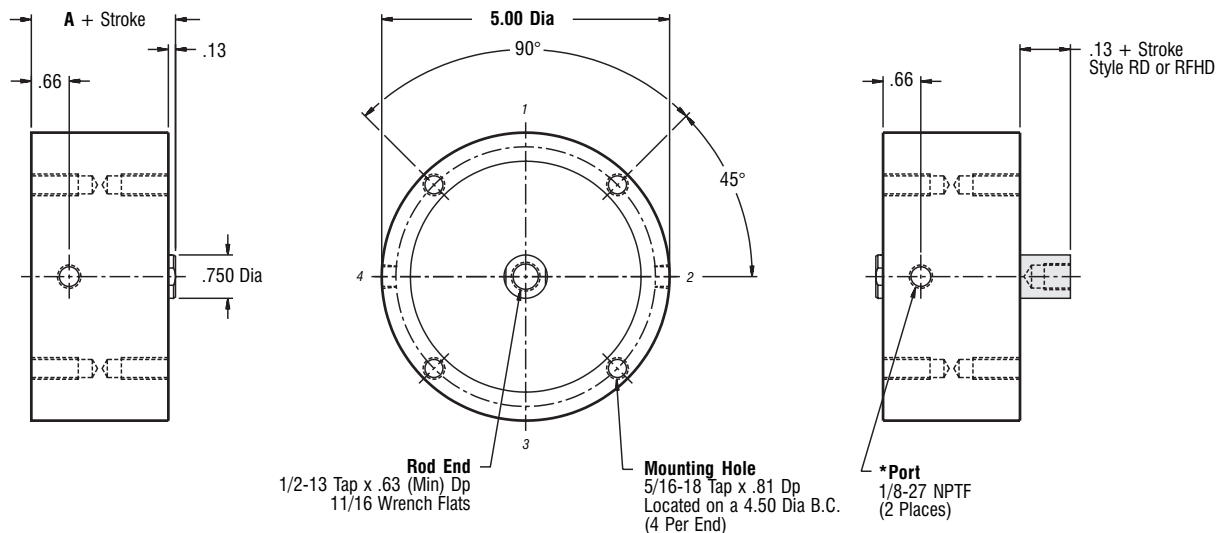
# Non Magnetic Piston

**Part Number**

Duty	Single Rod	Double Rod	Stock Stroke Length	A
Standard	R4x__	RD4x__	1/8, 1/4, 3/8, 1/2, 5/8, 3/4	1.75
Intermediate	RHH4x__		1/8, 1/4, 3/8, 1/2	2.00
Heavy	RFH4x__	RFHD4x__	1/8, 1/4	2.25

Standard Mounting: **TF TR TBE**  
 Optional Mounting: **TM**

\*Optional Porting: **1/4-18 NPTF**



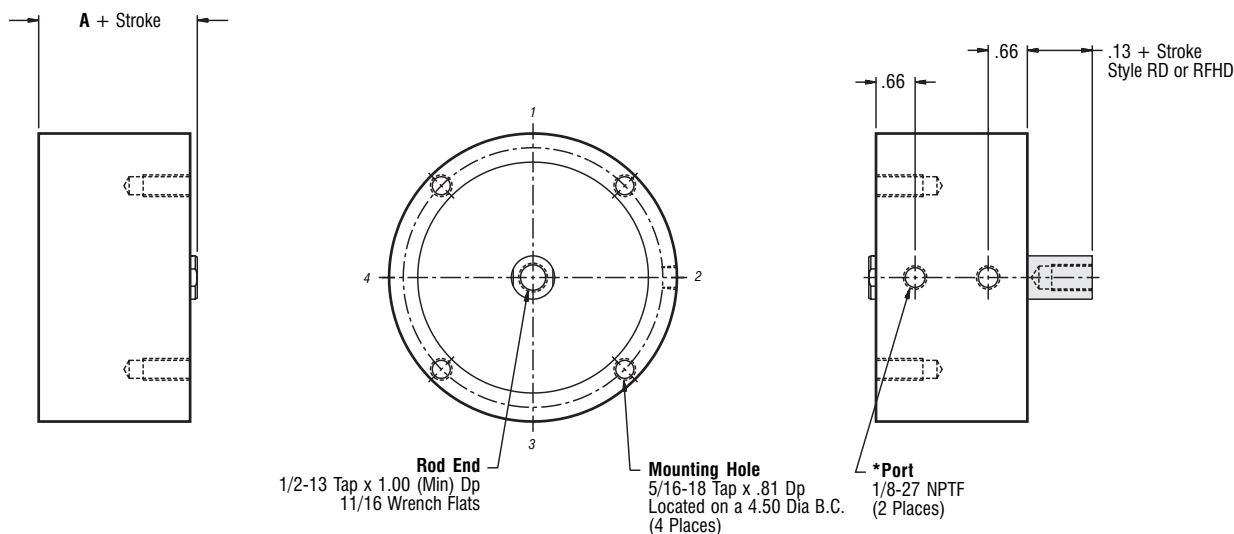
**Part Number**

Duty	Single Rod	Double Rod	Stock Stroke Length	A
Standard	R4x__	RD4x__	7/8, 1, 1-1/4, 1-1/2, 1-3/4, 2, 2-1/2, 3, 3-1/2, 4	1.75
Intermediate	RHH4x__		5/8, 3/4, 1, 1-1/4, 1-1/2, 1-3/4, 2-1/4, 2-3/4, 3-1/4, 3-3/4	2.00
Heavy	RFH4x__	RFHD4x__	3/8, 1/2, 3/4, 1, 1-1/4, 1-1/2, 2, 2-1/2, 3, 3-1/2, 4	2.25

Standard Mounting: **TF**  
 Optional Mounting: **TR TBE TM**

\*Optional Porting: **1/4-18 NPTF**

— Information same as above except where noted —





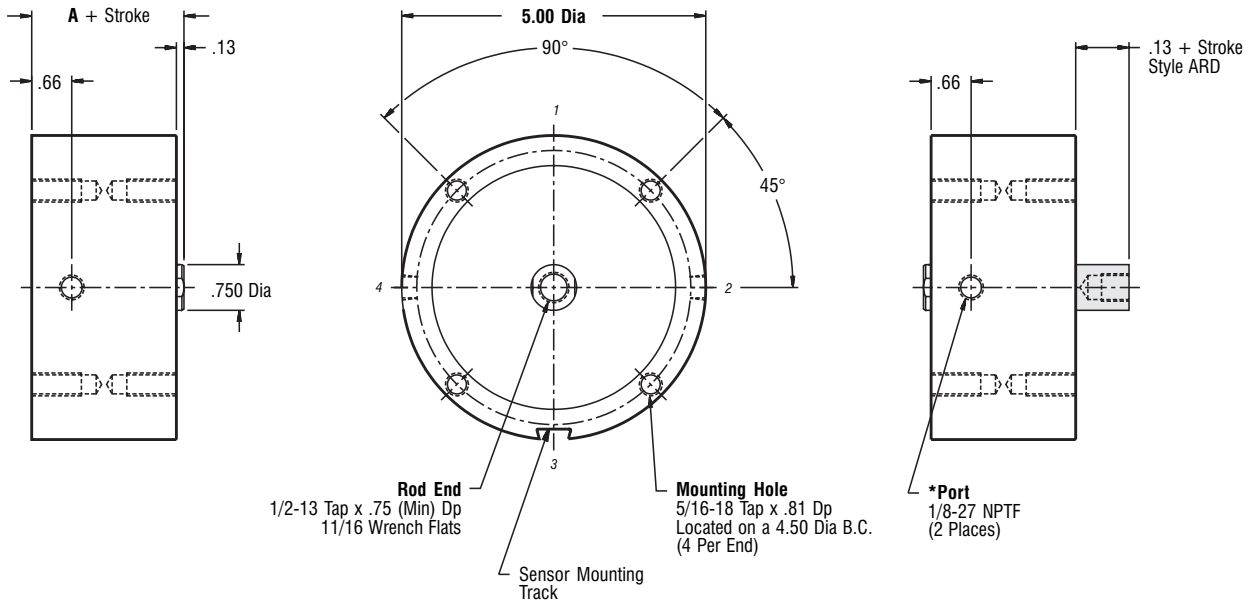
# Magnetic Piston

# 4" Bore

Part Number		Stock Stroke Length	A
<b>Duty</b>	<b>Single Rod</b> <b>Double Rod</b>		
Standard	<b>AR4x</b> <b>ARD4x</b>	1/8, 1/4, 3/8, 1/2	2.00
Intermediate	<b>ARHH4x</b>	1/8, 1/4	2.25

Standard Mounting: **TF**   **TR**   **TBE**  
 Optional Mounting: **TM**

\*Optional Porting: **1/4-18 NPTF**

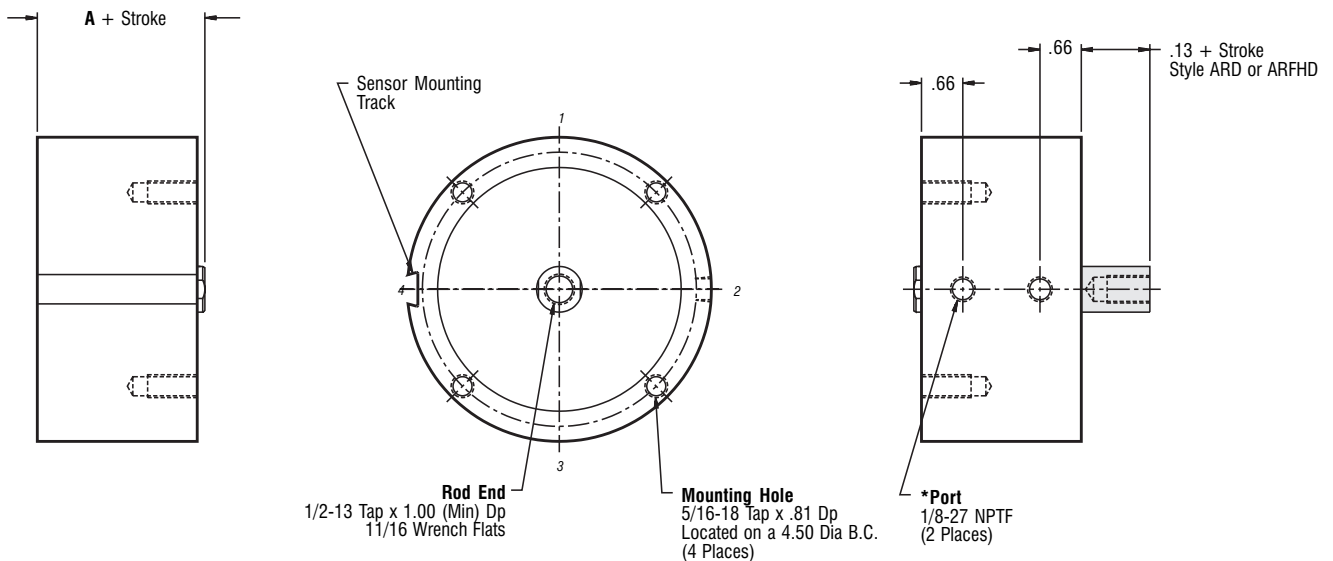


Part Number		Stock Stroke Length	A
<b>Duty</b>	<b>Single Rod</b> <b>Double Rod</b>		
Standard	<b>AR4x</b> <b>ARD4x</b>	5/8, 3/4, 1, 1-1/4, 1-1/2, 1-3/4, 2-1/4, 2-3/4, 3-1/4, 3-3/4	2.00
Intermediate	<b>ARHH4x</b>	3/8, 1/2, 3/4, 1, 1-1/4, 1-1/2, 2, 2-1/2, 3, 3-1/2, 4	2.25
Heavy	<b>ARFH4x</b> <b>ARFHD4x</b>	1/8, 1/4, 1/2, 3/4, 1, 1-1/4, 1-3/4, 2-1/4, 2-3/4, 3-1/4, 3-3/4	2.50

Standard Mounting: **TF**  
 Optional Mounting: **TR**   **TBE**   **TM**

\*Optional Porting: **1/4-18 NPTF**

— Information same as above except where noted —



X    
 Part Number                      Stroke                      Options - See 'Options' section