



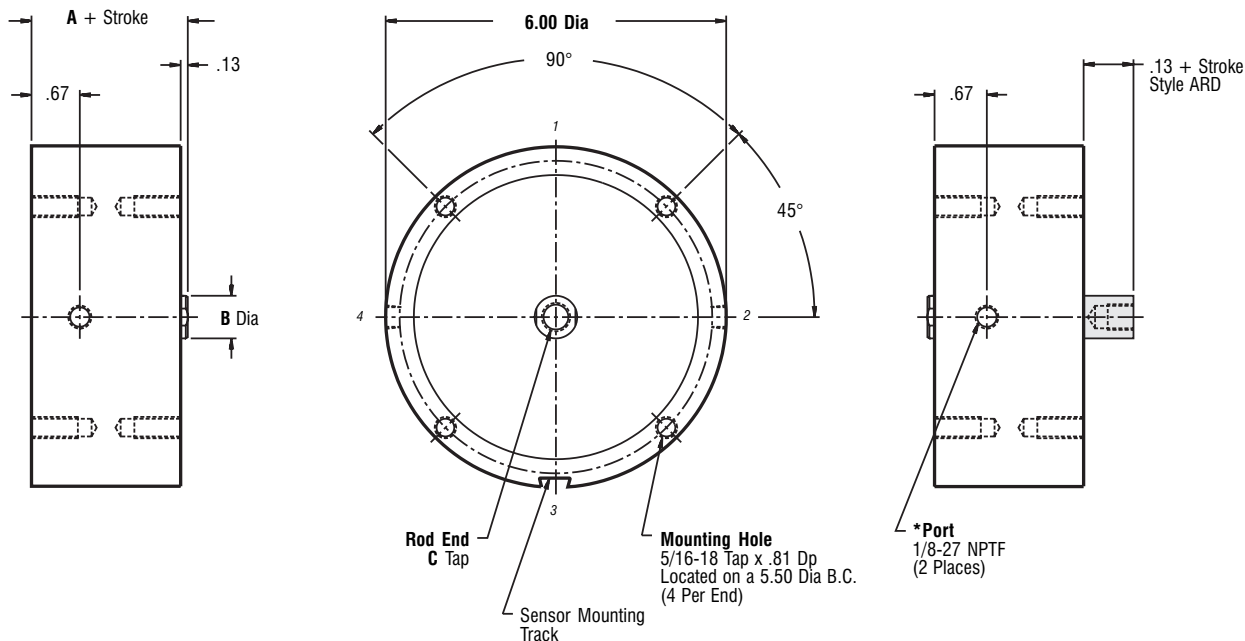
Magnetic Piston

5" Bore

Duty	Part Number		Stock Stroke Length	A	B	C
	Single Rod	Double Rod				
Standard	AR5x__	ARD5x__	1/8, 1/4, 3/8, 1/2	2.13	.750	1/2-13 x .75 (Min.) Dp 11/16 Wrench Flats
Intermediate	ARHH5x__		1/8, 1/4	2.38	.750	1/2-13 x .88 (Min.) Dp 11/16 Wrench Flats

Standard Mounting: **TF** **TR** **TBE**
Optional Mounting: **TM**

*Optional Porting: **1/4-18 NPTF**

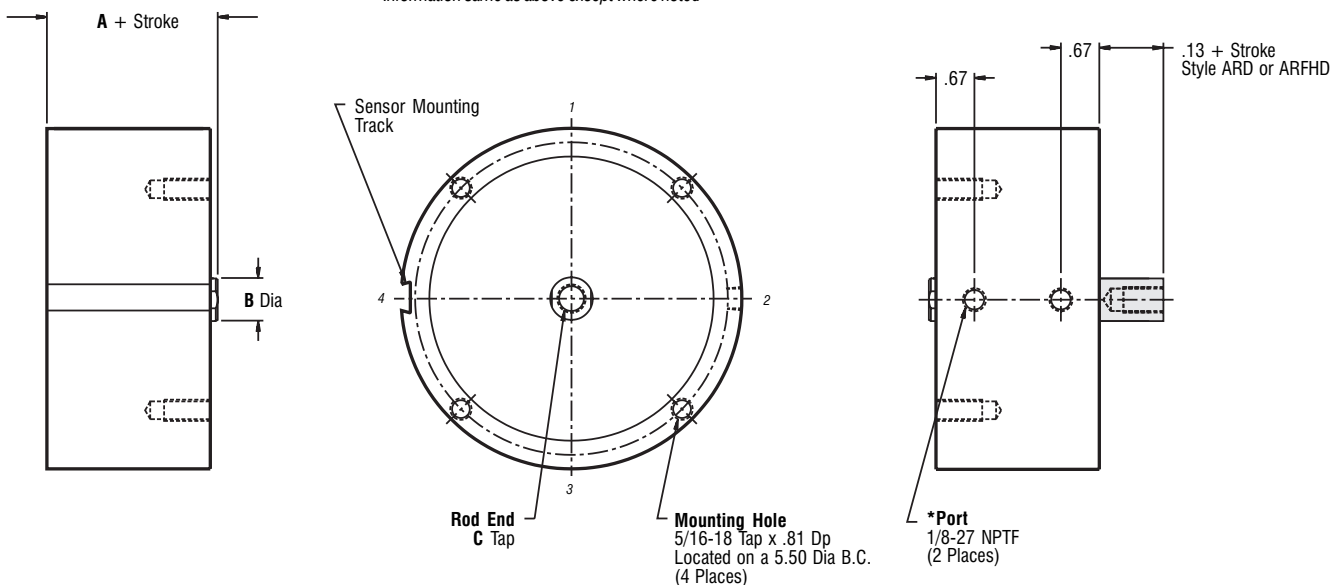


Duty	Part Number		Stock Stroke Length	A	B	C
	Single Rod	Double Rod				
Standard	AR5x__	ARD5x__	5/8, 3/4, 1, 1-1/4, 1-1/2, 1-3/4, 2-1/4, 2-3/4, 3-1/4, 3-3/4	2.13	.750	1/2-13 x 1.00 (Min.) Dp 11/16 Wrench Flats
Intermediate	ARHH5x__		3/8, 1/2, 3/4, 1, 1-1/4, 1-1/2, 2, 2-1/2, 3, 3-1/2, 4	2.38	.750	1/2-13 x 1.00 (Min.) Dp 11/16 Wrench Flats
Heavy	ARFH5x__	ARFHD5x__	1/8, 1/4, 1/2, 3/4, 1, 1-1/4, 1-3/4, 2-1/4, 2-3/4, 3-1/4, 3-3/4	2.63	1.000	5/8-18 x .88 (Min.) Dp 15/16 Wrench Flats

Standard Mounting: **TF**
Optional Mounting: **TR** **TBE** **TM**

*Optional Porting: **1/4-18 NPTF**

— Information same as above except where noted —



Part Number X