

Street Lamps

Explosion-proof Street Lamps

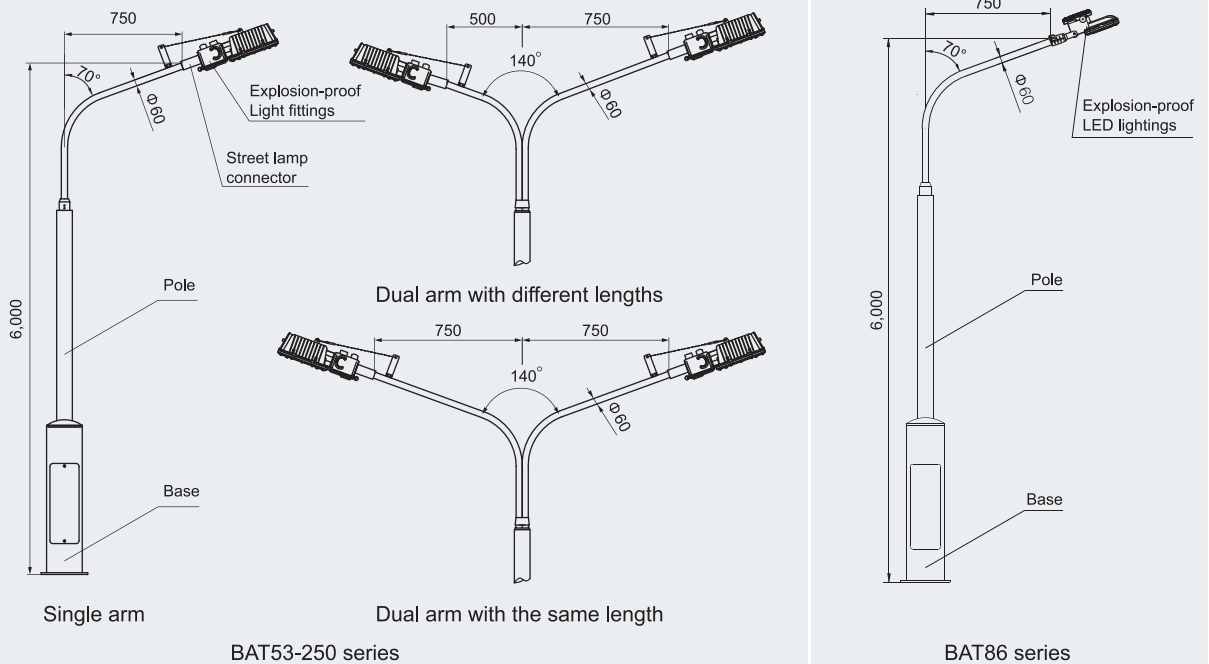


BAT53-250, BAT53-400, BAT85-400 Series HRD91-250, HRD91-400 Series BDD91-150, BDD91-250, BDD91-400 Series BAT86 Series, BnT81 Series, HRT81 Series Explosion-proof Street Lamps

- ◆ Explosion protection to
 - CENELEC
 - IEC
 - NEC
- ◆ Can be used in
 - Zone 1 and Zone 2
 - Zone 21 and Zone 22
- ◆ Please refer to mounting schematic diagram to select right lamp and mounting types on request of job site.
- ◆ Please refer to this catalogue for detailed technical data and ordering information of each light fitting.

Note: If BAT53-250 type street lamp is required, please specify when ordering.
- ◆ The street lamp is supplied without pole; please specify when ordering.

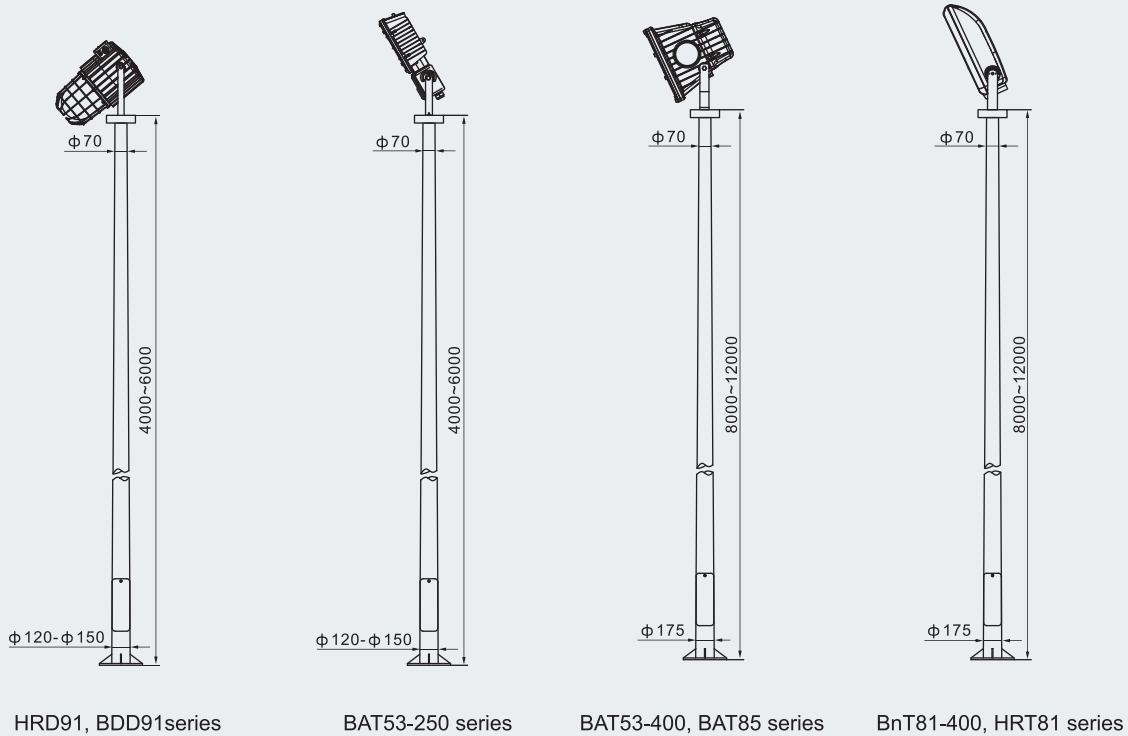
Mounting schematic diagram of bent arm type street lamp



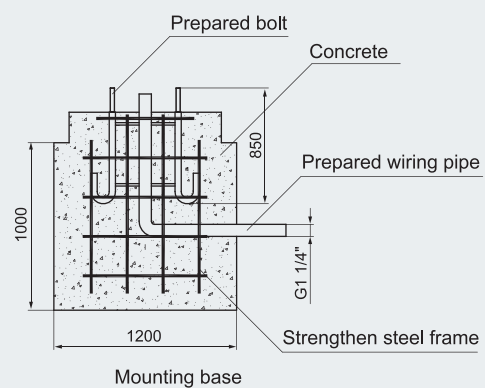
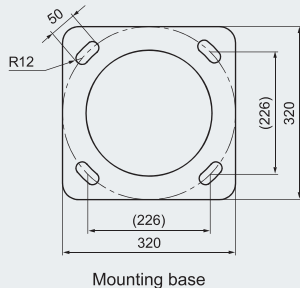
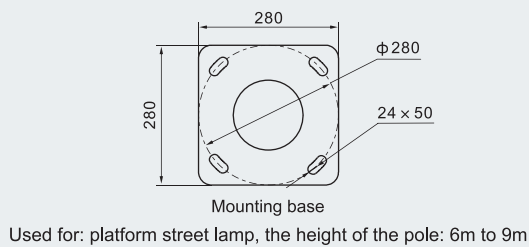
Zones 1&2; 21&22

Street Lamps Explosion-proof Street Lamps

Mounting schematic diagram of platform type street lamp



Reference diagram of street lamp mounting base



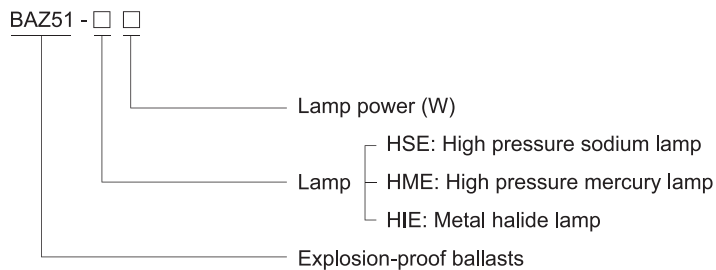
Ballasts

BAZ51 Series Explosion-proof Ballasts



- ◆ Explosion protection to
 - CENELEC
 - IEC
 - NEC
- ◆ Can be used in
 - Zone 1 and Zone 2
 - Zone 21 and Zone 22
- ◆ Applicable to lamp (max. 400W) of HIE, HSE and HME.
- ◆ Enclosure in copper-free aluminium, powder coated surface, yellow (RAL1021).
- ◆ Electromagnetic ballast, rapid starting, stable performance.

Catalogue number logic



Selection table

Type/Ordering code	Available lamp Power(W)	Weight (kg)	Enclosure	Type/Ordering code	Available lamp Power(W)	Weight (kg)	Enclosure
BAZ51-HIE 70	HIE 70	5.65	I	BAZ51-HSE 150	HSE 150	6.60	I
BAZ51-HIE 100	HIE 100	6.25	I	BAZ51-HSE 250	HSE 250	6.95	II
BAZ51-HIE 150	HIE 150	6.55	I	BAZ51-HSE 400	HSE 400	8.65	II
BAZ51-HIE 175	HIE 175	6.60	I	BAZ51-HME 80	HME 80	5.60	I
BAZ51-HIE 250	HIE 250	6.60	I	BAZ51-HME 125	HME 125	6.25	I
BAZ51-HIE 400	HIE 400	8.70	II	BAZ51-HME 175	HME 175	6.60	I
BAZ51-HSE 70	HSE 70	5.65	I	BAZ51-HME 250	HME 250	6.50	I
BAZ51-HSE 100	HSE 100	6.25	I	BAZ51-HME 400	HME 400	8.65	II

Note: The power factor is more than 0.90 while equipped with compensation capacitor.

Zones 1&2; 21&22

Ballasts

BAZ51 Series Explosion-proof Ballasts

Technical data

Explosion-proof ballasts BAZ51-□□

Explosion protection

Gas explosion protection
Dust explosion protection

⊕ II 2 G Ex d IIB T6 Gb
⊕ II 2 D Ex tb IIIC T80°C Db IP66

Certificates

LCIE 06 ATEX 6019; IECEx LCI 08. 0002

Conformity to standards

EN 60079-0, EN 60079-1, EN 60079-31
IEC 60079-0, IEC 60079-1, IEC 60079-31

Material

Enclosure
Exposed fastener

Copper-free aluminium, powder coated surface, yellow (RAL1021)
Stainless steel

Available lamp

High pressure sodium lamp (HSE): 70W, 100W, 150W, 250W, 400W
High pressure mercury lamp (HME): 80W, 125W, 175W, 250W, 400W
Metal halide lamp (HIE): 70W, 100W, 150W, 175W, 250W, 400W

Note: HPI European standard ballast is available in general

Rated voltage

220~240V AC 50Hz (60Hz is optional)

Note: other voltage on request.

Earthing protection

M5 (internal & external earth bolts)

Degree of protection

IP66

Ambient temperature

-60°C~+60°C

Terminal

3 x 1.5~2.5mm² (L+N+PE)

Cable entries

3 x M25 x 1.5 plugs for independent type

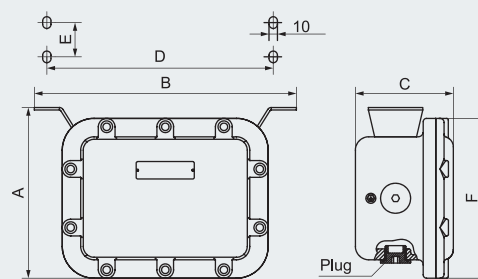
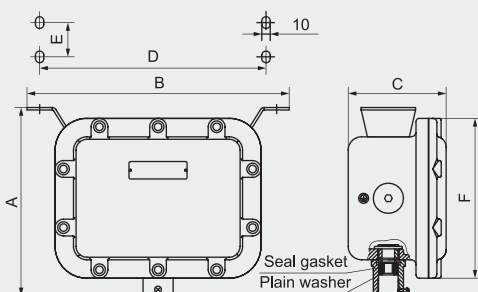
2 x M25 x 1.5 plugs for block type

With seal gasket and plain washer at bottom entries

Cable gland (optional)

DQM-II (Ex d) or DQM-III (Ex d) is recommended. Please see P7/20~27.

Dimension drawings (all dimensions in mm) - subject to alteration



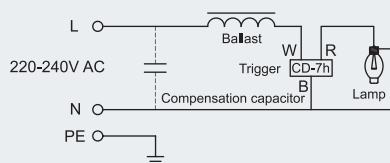
Enclosure	Size(mm)					
	A	B	C	D	E	F
I	215	288	117	258	41	191
II	230	313	137	283	41	206

Outline 1 (For block mounting, for example:
used for series HRD51)

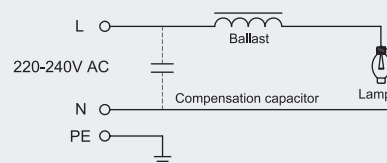
Enclosure	Size(mm)					
	A	B	C	D	E	F
I	204	288	117	258	41	191
II	229	313	137	283	41	206

Outline 2 (For independent mounting, for example:
used for series HRT51-400)

Schematic diagram of light fittings and ballasts



Schematic diagram 1 (For HSE or HIE)



Schematic diagram 2 (For HME)



HRD305 Portable Searchlight

HRD309E Searchlight

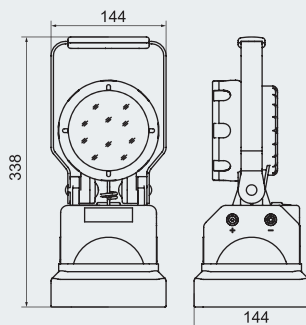
HRD502A Strong Working Light

HRD318 Explosion-proof LED Hand Lamps

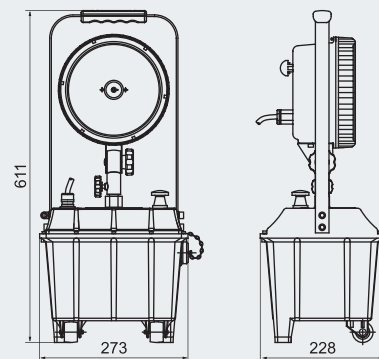
BSX-60 Series Explosion-proof Incandescent Hand Lamps

- ◆ Explosion protection to
 - CENELEC
 - IEC
 - NEC
- ◆ Can be used in
 - Zone 1 and Zone 2
 - Zone 21 and Zone 22
 - Class I, Zone 1 and Zone 2
 - Class I, Division 1, Groups A, B, C, D
 - Class I, Division 2, Groups A, B, C, D

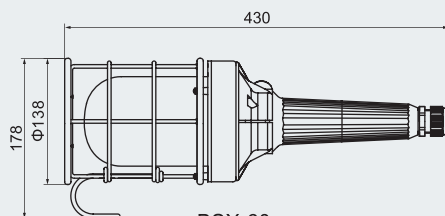
Dimension drawings (all dimensions in mm) - subject to alteration



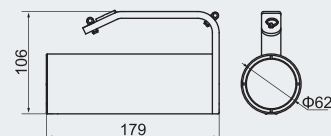
HRD309E



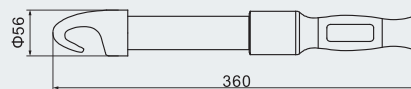
HRD502A



BSX-60



HRD305



HRD318



Zones 1&2; 21&22

Hand Lamps

HRD305 Portable Searchlight

- ◆ Explosion protection to
 - CENELEC
 - IEC
 - NEC
- ◆ Can be used in
 - Zone 1 and Zone 2
 - Zone 21 and Zone 22
 - Class I, Zone 1 and Zone 2
 - Class I, Division 1, Groups A, B, C, D
- ◆ Safe and reliable: the product with reliable explosion-proof performance, can safely and reliably work in various combustible areas, the battery is equipped with PTC thermistor and temperature fuse; double-protected circuit, safety performance enhanced.
- ◆ Efficient and energy-saving: memory-free battery, with long service life, low auto-discharge rate, economic and environmental friendly, solid efficient LED lamp, low energy consumption and long service life.
- ◆ Waterproof and damage-proof: the enclosure is made of imported alloy with high strength, excellent strong impact resistant performance, unique sealing type, with very good water-proof performance.
- ◆ Anti-strong interference: scientific module driving circuit, strong performance of anti-shock and anti-electromagnetic interference.
- ◆ Heat resistant: LED radiator and battery are effectively isolated, which improves the stability of the light.
- ◆ Intelligent control: pulse dimming technology, strong light and working light can be changed at random, with battery detection indicator, which can detect the working condition at any time, intelligent charger is with protection circuit.
- ◆ Portable and flexible: small volume, light weigh, several types of handling like portable and on shoulder, meet different working requirement.



Technical data

Portable Searchlight HRD305

Explosion protection

Gas explosion protection

⊕ II 2 G Ex d ia IIC T6 Gb

Dust explosion protection

⊕ II 2 D Ex tb IIIIC T80°C Db IP68

Certificates

LCIE 13 ATEX 3089X; IECEx CQM 13.0026X; KZ.7500525.22.01.00380 (CU-TR)

Conformity to standards

EN 60079-0, EN 60079-1, EN 60079-11, EN 60079-31
IEC 60079-0, IEC 60079-1, IEC 60079-11, IEC 60079-31

Rated voltage

14.8V

Rated capacity

2Ah

Lamp(LED)

Rated power

9W / 3W

Current of strong light

900mA

Continuous working time

Strong light

≥ 8h

Working light

≥ 16h

Charging time

≥ 8h

Charging voltage

100~240V AC, 50/60Hz

Service life of battery

about 1000 times cycling

Degree of protection

IP68

Weight

790g



Zones 1&2; 21&22

Hand Lamps

HRD309E Searchlight



- ◆ Explosion protection to
 - CENELEC
 - IEC
 - NEC
- ◆ Can be used in
 - Zone 2
 - Zone 21 and Zone 22
 - Class I, Zone 2
 - Class I, Division 2, Groups A, B, C, D
- ◆ Safe and reliable: the product with good explosion-proof performance and antistatic effect, can safely and reliably work in various combustible areas.
- ◆ Efficient and energy-saving: LED solid lamp, low energy consumption, high luminous efficacy, long service life, maintenance free and no subsequent usage cost, memory-free battery is recyclable, pollution-free.
- ◆ Waterproof and damage-proof: the light adopts whole-sealing craft, applicable in damp and severe atmosphere, special alloy enclosure makes sure the light can resist strong shock and impact.
- ◆ Intelligent control: the light is with two kinds of working modes:

strong light and working light, switch is controlled by intelligent chip, the strong light and weak light can be changed at random, single-chip control; with battery display and special protection circuit, with protection function of anti-over charging, over discharging and short circuit, reliably protect the battery and prolong the service life.

- ◆ Convenient and durable: unique lamp cap; lighting angle can be adjusted within the scope of -45° ~ 55° , no lighting dead angle (lighting range of strong light: 800m, effective distance: 300m, suitable for long-distance searching and lighting in large area of close range), light weight, portable type, horizontal type, hang type, magnetic absorption, etc, convenient to use; the switch is with anti-incorrect operation function.



Technical data

Searchlight HRD309E

Explosion protection	
Gas explosion protection	⊕ II 3 G Ex nA nR IIC T4 Gc
Dust explosion protection	⊕ II 2 D Ex tb IIIC T80°C Db IP66
Certificates	EPT 16 ATEX 2503X; IECEx CQM 16.0008X
Conformity to standards	EN 60079-0, EN 60079-15, EN 60079-31 IEC 60079-0, IEC 60079-15, IEC 60079-31
Rated voltage	12V
Rated capacity	4Ah
Lamp(LED)	
Rated power	9W / 3W
Average service life	100000h
Continuous working time	
Strong light	≥ 8h
Working light	≥ 18h
Charging time	≥ 8h
Charging voltage	100~240V AC, 50/60Hz
Service life of battery	about 1000 times cycling
Degree of protection	IP66
Weight	1.9kg

Zones 2; 21&22

Hand Lamps

HRD502A Strong Working Light

- ◆ Explosion protection to
 - CENELEC
 - IEC
 - NEC
- ◆ Can be used in
 - Zone 1 and Zone 2
 - Class I, Zone 1 and Zone 2
 - Class I, Division 2, Groups A, B, C, D
- ◆ Safe and reliable: the product with good explosion-proof performance, can safely and reliably work in various combustible areas.
- ◆ Efficient and energy-saving: special gas discharging lamp; high luminous efficiency, luminous flux is 5 times of that of halogen lamp with the same power, illumination is 3 times of 100W halogen bulb, service life is 5-10 times of that of normal halogen lamp, with the same brightness, the power consumption is 15% of that of normal halogen lamp, good anti-shock effect, small heating value, safer and more reliable.
- ◆ Waterproof and damage-proof: the light adopts whole-sealing craft, can work normally when in water, special alloy enclosure makes sure the light can resist strong shock and impact.
- ◆ Economic and environmental friendly: the memory-free battery can be charged at any time, after charging fully and laid aside for a year, the reserve of electricity is not less than 80% when it is full, for two years, it is not less than 50%, low-voltage discharging protection circuit is set; reliably protect the battery and prolong the service life.
- ◆ Convenient and durable: unique lamp cap, lighting angle can be adjusted at random, there are wheels at the bottom, easy to move and work.
- ◆ Other performances: normally, floodlight is provided; spotlight is on request.



Technical data

Strong working light HRD502A

Explosion protection	⊕ II 2 G Ex d e IIC T4 Gb
Certificates	LCIE 12 ATEX 3081X; IECEx CQM 12.0040X
Conformity to standards	EN 60079-0, EN 60079-1, EN 60079-7 IEC 60079-0, IEC 60079-1, IEC 60079-7
Rated voltage	24V
Rated capacity	20Ah
Lamp	Xenon lamp
Working voltage	24V
Rated power	35W
Luminous flux	3200lm
Average service life	3000h
Continuous working time	≥10h
Charging time	≥12h
Charging voltage	100~240V AC, 50/60Hz
Service life of battery	about 1000 times cycling
Degree of protection	IP65
Weight	15kg



Zones 1&2

Hand Lamps

HRD318 Explosion-proof LED Hand Lamps



- ◆ Explosion protection to
 - CENELEC
 - IEC
 - NEC
- ◆ Can be used in
 - Zone 1 and Zone 2
 - Zone 21 and Zone 22
 - Class I, Zone 1 and Zone 2
 - Class I, Division 2, Groups A, B, C, D
- ◆ LED lamp: 8W
- ◆ Handle in copper-free aluminium, sheath is of high-quality NBR, waterproof and strong impact resistance.
- ◆ Transparent cover: PC with diffusant, 90%light transmission, soft light and without glaring.
- ◆ Two kinds of working modes, switch is controlled by intelligent chip, the strong light and weak light can be changed at random.
- ◆ Small volume, light weight, delicate structure, portable type and hang type etc. Convenient to carry, meet different working requirements.

Technical data

Explosion-proof LED hand lamps HRD318

Explosion protection	
Gas explosion protection	⊕ II 2 G Ex d IIC T6 Gb
Dust explosion protection	⊕ II 2 D Ex tb IIIC T80°C Db IP66
Certificates	ATEX and IECEx (applied for)
Conformity to standards	EN 60079-0, EN 60079-1, EN 60079-31 IEC 60079-0, IEC 60079-1, IEC 60079-31
Material	
Enclosure	Copper-free aluminium, powder coated surface
Handle	Copper-free aluminium, powder coated surface
Sheath	NBR (Nitrile butadiene rubber)
Exposed fastener	Stainless steel
Lamp	
Available lamp	LED lamp : 8W
Working voltage	AC 36V 50/60Hz
Degree of protection	IP66
Ambient temperature	-40°C~+55°C
Terminal	3 x 1.5~2.5mm ² (L+N+PE)
Weight	2.35kg

Zones 1&2; 21&22

Hand Lamps

BSX-60 Series Explosion-proof Incandescent Hand Lamps

- ◆ Explosion protection to
 - CENELEC
 - IEC
 - NEC
- ◆ Can be used in
 - Zone 1 and Zone 2
 - Class I, Zone 1 and Zone 2
 - Class I, Division 2, Groups A, B, C, D
- ◆ Incandescent lamps: Max. 60W
- ◆ Cable on request
- ◆ Handle in plastic, with control pushbutton
- ◆ Powder coated wire guard, white
- ◆ Toughened glass cover resistant to temperature changes
- ◆ Movable transformer on request (see P3/52~53)



Technical data

Explosion-proof incandescent hand lamps BSX-60

Explosion protection	⊕ II 2 G Ex d e IIC T4
Certificates	LCIE 07 ATEX 6028; IECEx CQM 08.0015
Conformity to standards	EN 60079-0, EN 60079-1, EN 60079-7 IEC 60079-0, IEC 60079-1, IEC 60079-7
Material	
Enclosure	Copper-free aluminium, powder coated surface, yellow (RAL1021)
Handle	Plastic, black
Wire guard	Powder coated carbon steel, white
Exposed fastener	Stainless steel
Lamp	
Lamp holder	E27
Available lamp	Incandescent lamp: 25W, 40W, 60W; LED: 7W, 10W, 12W
Rated voltage	Max. 230V
Protection class	II (Protection against electric shock)
Degree of protection	IP65
Ambient temperature	-20°C~+55°C
Terminal	3 x 1.5~2.5mm ² (L+N+PE)
Cable entries	1 x M25 x 1.5 cable gland (DQM-I Ex e, plastic)
Available cable outer diameter	Φ9~Φ16 (mm)
Weight	2.35kg



Zones 1&2

Local, Caution Spotlight Fittings BAJ52-20 Series Explosion-proof Emergency Light Fittings



- ◆ Explosion protection to
 - CENELEC
 - IEC
 - NEC
- ◆ Can be used in
 - Zone 1 and Zone 2
 - Class I, Zone 1 and Zone 2
 - Class I, Division 1, Groups C, D
- ◆ Enclosure in copper-free aluminium, powder coated surface, yellow (RAL1021).
- ◆ Lighting angle can be adjusted.
- ◆ Low-power halogen tungsten lamps, with reflector to increase lighting intensity.
- ◆ Emergency device with Ni-MH batteries, charging automatically; when power supply is cut off, the emergency device starts to work; with overcharge and overdischarge protection.
- ◆ Toughened glass cover resistant to temperature changes.

Local, Caution Spotlight Fittings

BAJ52-20 Series Explosion-proof Emergency Light Fittings

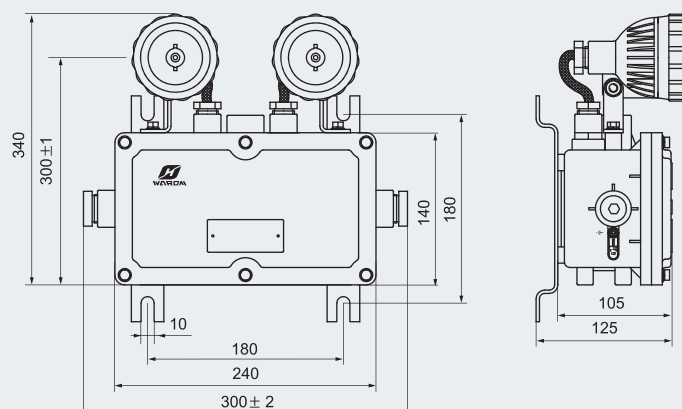
Technical data

Explosion-proof emergency light fittings BAJ52-20

Explosion protection	⊕ II 2 G Ex d IIB T4
Certificates	LCIE 07 ATEX 6086; IECEx CQM 08. 0001
Conformity to standards	EN 60079-0, EN 60079-1 IEC 60079-0, IEC 60079-1
Material	
Enclosure	Copper-free aluminium, powder coated surface, yellow (RAL1021)
Exposed fastener	Stainless steel
Rated voltage	220~240V AC 50/60Hz
Lamp	
Available lamp	Halogen tungsten lamp (LED on request)
Lamp power (W)	2 x 10W (LED lamp power: 2 x 1W)
Emergency time	90min
Rated luminous flux	Halogen tungsten lamp: 2 x 100lm (LED lamp: 2 x 90lm)
Battery	
Description	Ni-MH battery
Rated capacity	6Ah
Rated voltage	6V
Charging current	300mA
Discharging current	1000mA
Charging time	24h
Degree of protection	IP65
Ambient temperature	-20°C~+55°C
Terminal	3 x 1.5~2.5mm ² (L+N+PE)
Cable entries	2 x M25 x 1.5 plugs
Cable gland (optional)	DQM-II (Ex d) or DQM-III (Ex d) is recommended. Please see P7/20~27.
Weight	5.05kg



Dimension drawings (all dimensions in mm) - subject to alteration

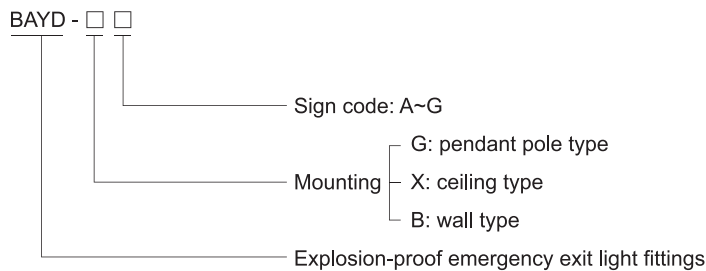


Local, Caution Spotlight Fittings BAYD Series Explosion-proof Emergency Exit Light Fittings

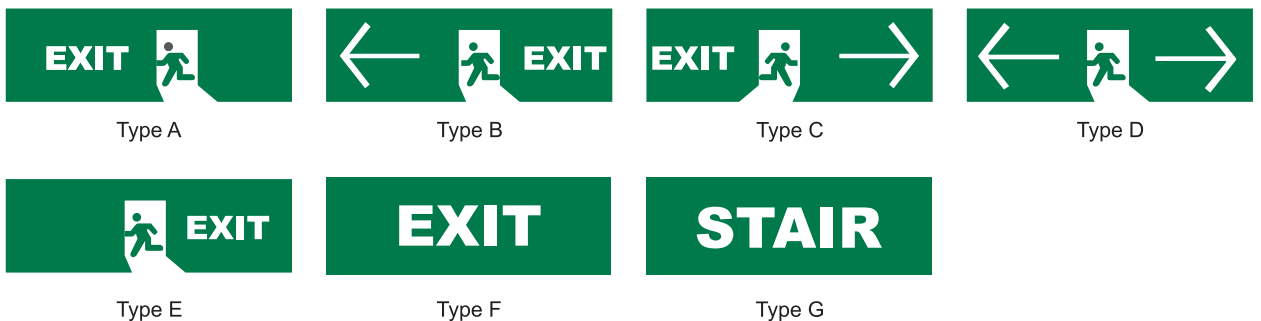


- ◆ Explosion protection to
 - CENELEC
 - IEC
 - NEC
- ◆ Can be used in Zone 1 and Zone 2
- ◆ Lighting both in normal condition and emergency condition; When power supply is cut off, the emergency device starts to work; with overcharge, overdischarge protection and short circuit protection.
- ◆ With test pushbutton, convenient to check the emergency function. Press the test pushbutton, the light will switch into emergency condition.
- ◆ Ultra-bright LED lamp, low power consumption and long service life up to 50,000 hours; energy saving and environmental protection.
- ◆ Enclosure in copper-free aluminium, powder coated surface, yellow (RAL 1021).
- ◆ Toughened glass sheet resistant to temperature changes.

■ Catalogue number logic



■ Sign code type A-G



Zones 1&2