

Light Fittings for Fluorescent Lamp

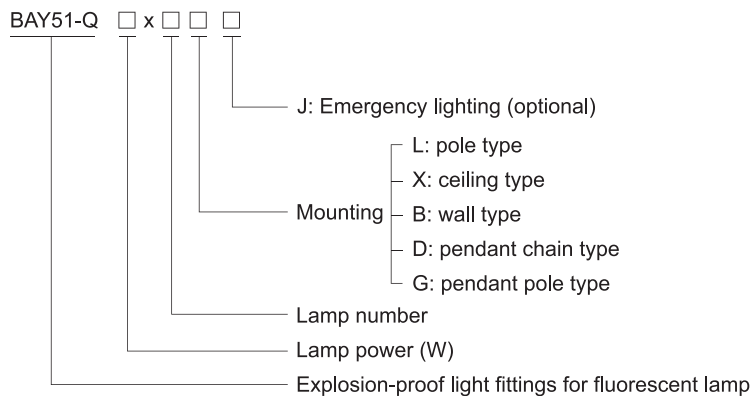
BAY51-Q Series Explosion-proof Light Fittings for Fluorescent Lamp



- ◆ Explosion Protection to
 - CENELEC
 - IEC
 - NEC
- ◆ Can be used in
 - Zone 1 and Zone 2
 - Zone 21 and Zone 22
 - Class I, Zone 1 and Zone 2
 - Class I, Division 2, Groups A, B, C, D
- ◆ Two enclosure types: Type I and Type II
 - Available lamp and power
 - T8 Fluorescent Lamps: 18W x 1, 36W x 1, 18W x 2, 36W x 2
- ◆ Enclosure in glass fiber reinforced polyester (GRP), diffuser in polycarbonate, corrosion-proof.
- ◆ Ex e enclosure with explosion-proof components inside.
- ◆ Safety interlock between enclosure and diffuser, switches off on opening.
- ◆ Built-in electronic ballast, power factor ≥ 0.95 .
- ◆ Emergency unit with protections against overcharge and over-discharge.
- ◆ End of lamp life (EOL) rectification effect protection.



■ Catalogue number logic



Zones 1&2; 21&22

Light Fittings for Fluorescent Lamp

BAY51-Q Series Explosion-proof Light Fittings for Fluorescent Lamp

Technical data					
Explosion-proof light fittings for fluorescent lamp BAY51-Q □ × □ □					
Explosion protection	<p>Gas explosion protection Ex II 2 G Ex d e q IIC T4 Gb</p> <p>Dust explosion protection Ex II 2 D Ex t III C T80°C Db IP66</p>				
Certificates	LCIE 12 ATEX 3045X; IECEx CQM 07.0007 RU C-CN.ГБ05.B.00344 (CU-TR)				
Conformity to standards	EN 60079-0, EN 60079-1, EN 60079-5, EN 60079-7, EN 60079-31 IEC 60079-0, IEC 60079-1, IEC 60079-5, IEC 60079-7, IEC 60079-31				
Material					
Enclosure	GRP, stands 7J impact, corrosion-proof				
Diffuser	Polycarbonate, 90% light transmission, stands 7J impact				
Ballast	Electronic ballast, power factor ≥ 0.95 , with protection against short circuit, overload, lamp aging, lamp damage and dissymmetry power of lamp tube. Certificate No.: LCIE 06 ATEX 0003U; IECEx CQM 07.0005U				
Exposed fastener	Stainless steel				
Interlock	BZX-6 explosion-proof distance switch, switching off on opening Certificate No.: LCIE 06 ATEX 0002U, IECEx CQM 07.0006U				
Lamp					
Lamp specification	T8 tube (supplied with the light fittings)				
Lamp power (W)	<table border="1"> <tr> <td>36W x 2</td> <td>18W x 2</td> </tr> <tr> <td>36W x 1</td> <td>18W x 1</td> </tr> </table>	36W x 2	18W x 2	36W x 1	18W x 1
36W x 2	18W x 2				
36W x 1	18W x 1				
Rated voltage	96~254V AC 50/60Hz				
Protection class	II (Protection against electric shock)				
Degree of protection	IP66, IP67(optional)				
Ambient temperature	-20°C~+55°C				
Terminal	3 x 1.5~4mm ² (L+N+PE)				
Cable entries	4 x $\Phi 26$: 2 x M25 x 1.5 cable glands (DQM-I Ex e, plastic), 2 x M25 x 1.5 plugs.				
Available cable outer diameter	$\Phi 9$ ~ $\Phi 16$ (mm)				



Selection table					
Type / Ordering code	Lamp power(W)	Weight(kg)	Type / Ordering code	Lamp power(W)	Weight(kg)
BAY51-Q18 x 1L	18 x 1	6.80	BAY51-Q18 x 2L	18 x 2	7.00
BAY51-Q18 x 1X	18 x 1	6.70	BAY51-Q18 x 2X	18 x 2	6.90
BAY51-Q18 x 1B	18 x 1	7.80	BAY51-Q18 x 2B	18 x 2	7.90
BAY51-Q18 x 1D	18 x 1	8.10	BAY51-Q18 x 2D	18 x 2	8.20
BAY51-Q18 x 1G	18 x 1	7.70	BAY51-Q18 x 2G	18 x 2	7.85
BAY51-Q36 x 1L	36 x 1	11.40	BAY51-Q36 x 2L	36 x 2	11.60
BAY51-Q36 x 1X	36 x 1	11.30	BAY51-Q36 x 2X	36 x 2	11.40
BAY51-Q36 x 1B	36 x 1	12.30	BAY51-Q36 x 2B	36 x 2	12.50
BAY51-Q36 x 1D	36 x 1	12.60	BAY51-Q36 x 2D	36 x 2	12.75
BAY51-Q36 x 1G	36 x 1	12.20	BAY51-Q36 x 2G	36 x 2	12.40

Note: Products above include all the mounting accessories listed in Mounting Accessories & Spare Parts Table (see P2/6~7).

Light Fittings for Fluorescent Lamp

BAY51-Q Series Explosion-proof Light Fittings for Fluorescent Lamp

Technical data

Explosion-proof emergency light fittings for fluorescent lamp BAY51-Q□ × □□J

Explosion protection

Gas explosion protection

Ex II 2 G Ex d e q IIC T4 Gb

Dust explosion protection

Ex II 2 D Ex tb III C T80°C Db IP66

Certificates

LCIE 10 ATEX 3009; IECEX CQM 12.0002X; CU-TR

Conformity to standards

EN 60079-0, EN 60079-1, EN 60079-5, EN 60079-7, EN 60079-31
IEC 60079-0, IEC 60079-1, IEC 60079-5, IEC 60079-7, IEC 60079-31

Material

Enclosure

GRP, stands 7J impact, corrosion-proof

Diffuser

Polycarbonate, 90% light transmission, stands 7J impact

Ballast

Electronic ballast, power factor ≥ 0.95, with protection against short circuit, overload, lamp aging, lamp damage and dissymmetry power of lamp tube.

Emergency controller

BY-2 emergency controller

Exposed fastener

Certificate No.: LCIE 10 ATEX 3010U, IECEX CQM 11.0041U

Stainless steel

Lamp

Lamp specification

T8 tube (supplied with the light fittings)

Lamp power (W)

36W x 2 18W x 2

36W x 1 18W x 1

Emergency power (W)

36W x 1, 18W x 1

Emergency starting time

0.3s

Charging time

24h

Emergency lighting time

120min (180min is optional)

Rated voltage

96~254V AC 50/60Hz

Protection class

II (Protection against electric shock)

Degree of protection

IP66, IP67(optional)

Ambient temperature

-20°C~+55°C

Terminal

3 x 1.5~4mm² (L+N+PE)

Cable entries

4 x Φ26: 2 x M25 x 1.5 cable glands (DQM-I Ex e, plastic), 2 x M25 x 1.5 plugs.

Available cable outer diameter

Φ9~Φ16 (mm)



Selection table

Type / Ordering code	Lamp power(W)	Weight(kg)	Type / Ordering code	Lamp power(W)	Weight(kg)
BAY51-Q18 x 1LJ	18 x 1	8.65	BAY51-Q18 x 2LJ	18 x 2	8.80
BAY51-Q18 x 1XJ	18 x 1	8.50	BAY51-Q18 x 2XJ	18 x 2	8.70
BAY51-Q18 x 1BJ	18 x 1	9.60	BAY51-Q18 x 2BJ	18 x 2	9.75
BAY51-Q18 x 1DJ	18 x 1	9.90	BAY51-Q18 x 2DJ	18 x 2	10.00
BAY51-Q18 x 1GJ	18 x 1	9.50	BAY51-Q18 x 2GJ	18 x 2	9.65
BAY51-Q36 x 1LJ	36 x 1	13.00	BAY51-Q36 x 2LJ	36 x 2	13.05
BAY51-Q36 x 1XJ	36 x 1	12.95	BAY51-Q36 x 2XJ	36 x 2	13.10
BAY51-Q36 x 1BJ	36 x 1	14.00	BAY51-Q36 x 2BJ	36 x 2	14.10
BAY51-Q36 x 1DJ	36 x 1	14.30	BAY51-Q36 x 2DJ	36 x 2	14.45
BAY51-Q36 x 1GJ	36 x 1	13.90	BAY51-Q36 x 2GJ	36 x 2	14.05

Note: Products above include all the mounting accessories listed in Mounting Accessories & Spare Parts Table (see P2/6~7).

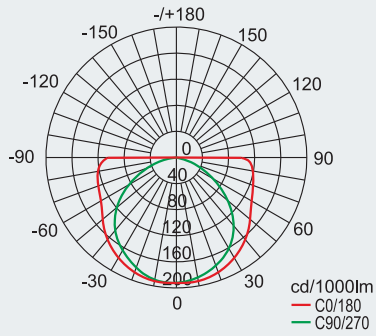
Light Fittings for Fluorescent Lamp

BAY51-Q Series Explosion-proof Light Fittings for Fluorescent Lamp

Photometric data Note: LED luminous flux is from the standard product of which colour temperature is 5400 to 6500K (cool white).

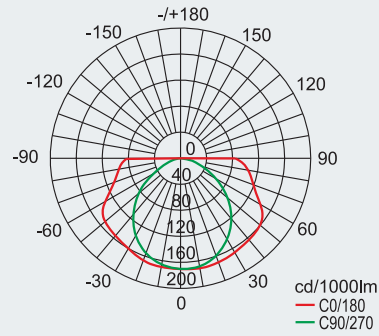
BAY51-Q18x1□□

Rated luminous flux
18Wx1: 1300lm



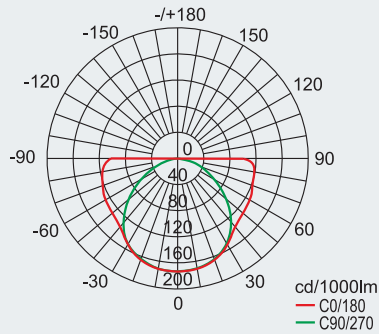
BAY51-Q18x2□□

Rated luminous flux
18Wx2: 2600lm



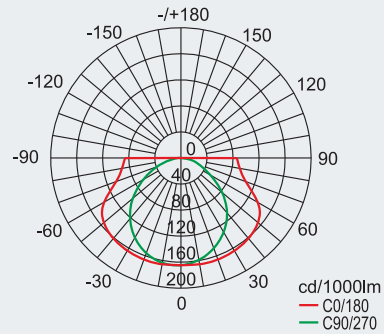
BAY51-Q36x1□□

Rated luminous flux
36Wx1: 3250lm



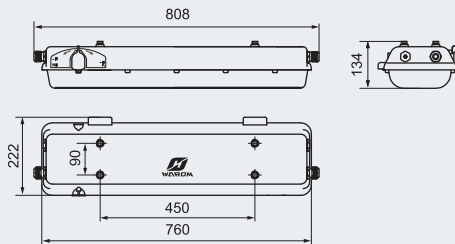
BAY51-Q36x2□□

Rated luminous flux
36Wx2: 6500lm

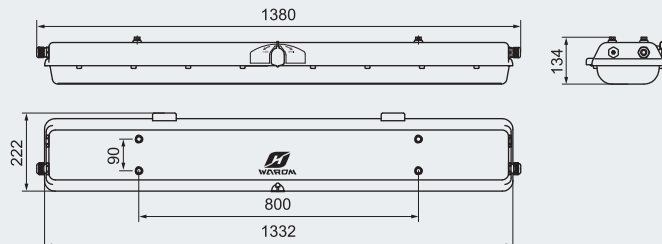


We can provide lighting design and data by professional lighting software DIALUX based upon simulated site situation on request.

Dimension drawings (all dimensions in mm) - subject to alteration



BAY51-Q18 x □ □ □



BAY51-Q36 x □ □ □

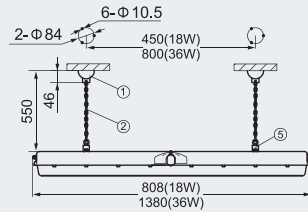
Light Fittings for Fluorescent Lamp

BAY51-Q Series Explosion-proof Light Fittings for Fluorescent Lamp

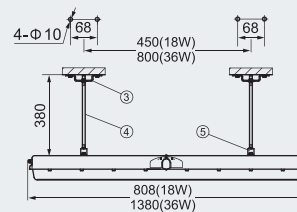
Mounting type (all dimensions in mm) – subject to alteration

Installation reference

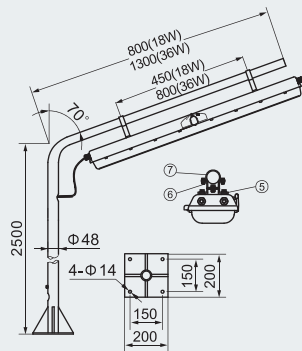
D: pendant chain type



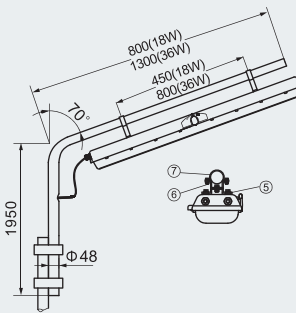
G: pendant pole type



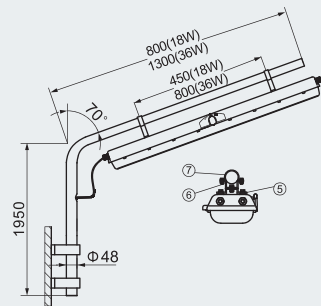
L: pole type (the pole is provided by user)



Suitable for ground pole type

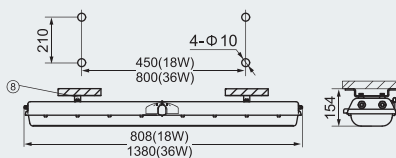


Suitable for fence pole type

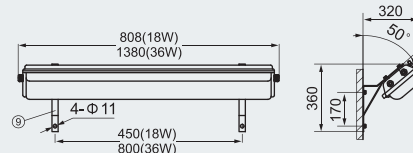


Suitable for wall pole type

X: ceiling type



B: wall type



Mounting Accessories & Spare Parts Table

Supplied according to the mounting type

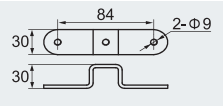
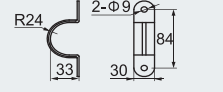
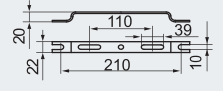
Mounting type	Accessories			Ordering code	Weight (kg)
	Name	Qty	Illustration		
D: pendant chain type	①.Sucker	2		5136017	0.15
	②.Chain	2	Length: 450mm	5136016	0.08
	⑤.Mounting bracket	2	Same as pendant pole type	5136030	0.07
G: pendant pole type	③.Mounting bracket	2		51S01G1	0.04
	④.M8 Screw	2	Length: 350mm	51S01G2	0.12
	⑤.Mounting bracket	2		5136030	0.07

Note: Accessories not in the table shall be supplied by user.

Light Fittings for Fluorescent Lamp BAY51-Q Series Explosion-proof Light Fittings for Fluorescent Lamp

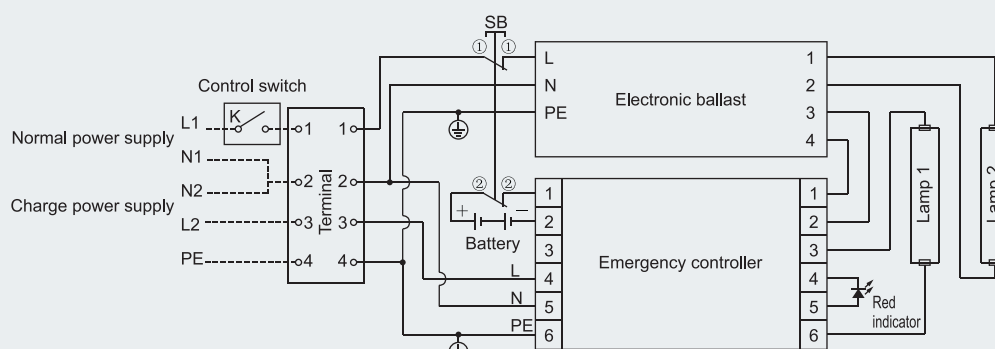
Mounting Accessories & Spare Parts Table

Supplied according to the mounting type

Mounting type	Accessories			Ordering code	Weight (kg)
	Name	Qty	Illustration		
L: pole type	⑥.Mounting bracket	2		5136012	0.04
	⑦.G1 1/2" Pipe clamp	2		5136014	0.04
	⑤.Mounting bracket	2	Same as pendant pole type	5136030	0.07
X: ceiling type	⑧.Mounting bracket	2		5136015	0.20
B: wall type	⑨.Wall bracket	2	Welded sheet steel	5136B02	0.62






Note: Accessories not in the table shall be supplied by user.

Schematic diagram (BAY51-Q□x□□J, T8 fluorescent lamp)



Note: Tube for lamp 2 shall be default for single tube fittings.

Accessories

Picture	Name	Ordering code	Weight (kg)
	Explosion-proof distance switch	5136003	0.04
	Spanner	5136004	0.02
	Lamp holder (with wires)	5136005	0.02
	YK36DF-2CS electronic ballast (T8/36W)	5136011	1.30
	YK18DF-2CS electronic ballast (T8/18W)	5118004	1.30
	BY-2 emergency controller (with battery) (T8/36W)	5136019	1.70
	BY-2 emergency controller (with battery) (T8/18W)	5118005	1.70



Light Fittings for Fluorescent Lamp

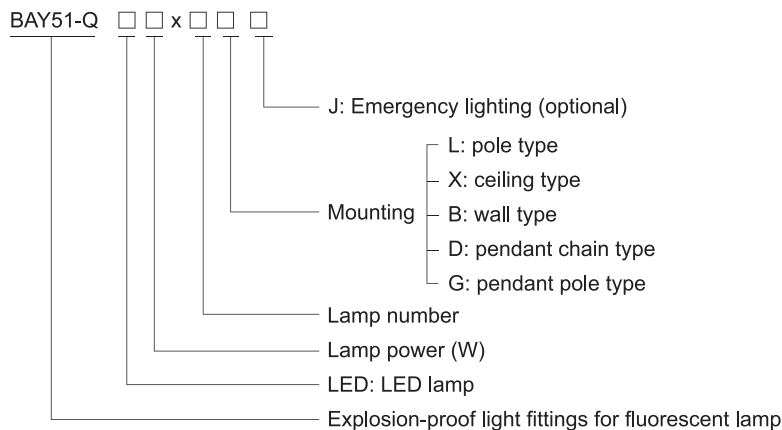
BAY51-Q LED Series Explosion-proof Light Fittings for Fluorescent Lamp



- ◆ Explosion Protection to
 - CENELEC
 - IEC
 - NEC
- ◆ Can be used in
 - Zone 1 and Zone 2
 - Zone 21 and Zone 22
 - Class I, Zone 1 and Zone 2
 - Class I, Division 2, Groups A, B, C, D
- ◆ Two enclosure types: Type I and Type II
- ◆ Available lamp and power
 - Built-in power supply, LED lamp and driving power are integrated type: 9W×1, 18W×1, 9W×2, 18W×2;
 - External power supply, LED lamp and driving power are split type: 14W x 1, 14W x 2, 28W x 1, 28W x 2.
- ◆ Enclosure in glass fiber reinforced polyester(GRP), diffuser in polycarbonate, corrosion-proof.
- ◆ Ex e enclosure with explosion-proof components inside.
- ◆ Safety interlock between enclosure and diffuser, switches off on opening.
- ◆ Built-in LED driver, wide voltage input, CC-CV (constant current-constant voltage) output, power factor ≥ 0.95.
- ◆ Emergency unit with protections against overcharge and over-discharge.



■ Catalogue number logic



Zones 1&2; 21&22

Light Fittings for Fluorescent Lamp

BAY51-Q LED Series Explosion-proof Light Fittings for Fluorescent Lamp

Technical data	
Explosion-proof light fittings with LED tubes BAY51-Q LED □ × □□□	
Explosion protection	
Gas explosion protection	⊕ II 2 G Ex db eb IIC T4 Gb ¹⁾
Dust explosion protection	⊕ II 2 G Ex db eb mb q IIC T4 Gb ¹⁾ ⊕ II 2 D Ex tb IIIC T80°C Db IP66 ¹⁾ ¹⁾ See Selection Table
Certificates	ECM 16 ATEX 157; IECEx (applied for)
Conformity to standards	EN 60079-0, EN 60079-1, EN 60079-5, EN 60079-7, EN 60079-18, EN 60079-31 IEC 60079-0, IEC 60079-1, IEC 60079-5, IEC 60079-7, IEC 60079-18, IEC 60079-31
Material	
Enclosure	GRP, stands 7J impact, corrosion-proof
Diffuser	Polycarbonate, 90% light transmission, stands 7J impact
LED driver	Wide voltage input, CC-CV (constant current - constant voltage) output, power factor ≥0.95, with function of distributed current, constant current, surge-proof and anti-electromagnetic interference, and protection against overcurrent, open circuit, and short circuit.
Exposed fastener	Stainless steel
Lamp	
Lamp specification	LED module (supplied with the light fittings)
Lamp power (W)	9W×1, 18W×1, 9W×2, 18W×2 (LED lamp and driving power are integrated type) 14W x 1, 28W x 1, 14W x 2, 28W x 2 (LED lamp and driving power are split type)
Colour Temperature (CCT)	Cool white: 5400~6500K Note: cool white is available in general. Warm white (2700~3500K) or nature white (4700~5400K) is optional, please specify when ordering.
Rated voltage	Built-in power supply, LED lamp and driving power are integrated type: 90 ~ 170V AC 50/60Hz; 170 ~ 265V AC 50/60Hz External power supply, LED lamp and driving power are split type: 100~305V AC 50/60Hz; 100~250V DC
Protection class	II (Protection against electric shock)
Degree of protection	IP66, IP67(optional)
Ambient temperature	-20°C~+55°C
Terminal	3 x 1.5~4mm ² (L+N+PE)
Cable entries	4 x Φ26: 2 x M25 x 1.5 cable glands (DQM-I Ex e, plastic), 2 x M25 x 1.5 plugs.
Available cable outer diameter	Φ9~Φ16 (mm)
Emergency data	
Emergency controller	Special emergency controller and battery pack, with protection against overcharge and overdischarge.
Emergency power (W)	14W x 1, 28W x 1
Emergency starting time	0.3s
Charging time	24h
Emergency lighting time	120min (180min is optional)



Selection table		
Lamp tube type	LED lamp and driving power are integrated type	LED lamp and driving power are split type
Explosion protection	⊕ II 2 G Ex db eb IIC T4 Gb ⊕ II 2 D Ex tb IIIC T80°C Db IP66	⊕ II 2 G Ex db eb mb q IIC T4 Gb ⊕ II 2 D Ex tb IIIC T80°C Db IP66
Lamp power (W)	9W×1, 18W×1, 9W×2, 18W×2	14W x 1, 28W x 1, 14W x 2, 28W x 2

Light Fittings for Fluorescent Lamp

BAY51-Q LED Series Explosion-proof Light Fittings for Fluorescent Lamp

Selection table for built-in power supply, LED lamp and driving power are integrated type

Type / Ordering code	Lamp power(W)	Weight (kg)	Type / Ordering code	Lamp power(W)	Weight (kg)	Type / Ordering code	Lamp power(W)	Weight (kg)	Type / Ordering code	Lamp power(W)	Weight (kg)
BAY51-Q LED14 x 1L	14 x 1	8.00	BAY51-Q LED14 x 1LJ	14 x 1	8.30	BAY51-Q LED14 x 2L	14 x 2	8.45	BAY51-Q LED14 x 2LJ	14 x 2	8.80
BAY51-Q LED14 x 1X	14 x 1	7.90	BAY51-Q LED14 x 1XJ	14 x 1	8.20	BAY51-Q LED14 x 2X	14 x 2	8.35	BAY51-Q LED14 x 2XJ	14 x 2	8.70
BAY51-Q LED14 x 1B	14 x 1	8.90	BAY51-Q LED14 x 1BJ	14 x 1	9.20	BAY51-Q LED14 x 2B	14 x 2	9.35	BAY51-Q LED14 x 2BJ	14 x 2	9.70
BAY51-Q LED14 x 1D	14 x 1	9.20	BAY51-Q LED14 x 1DJ	14 x 1	9.50	BAY51-Q LED14 x 2D	14 x 2	9.65	BAY51-Q LED14 x 2DJ	14 x 2	10.00
BAY51-Q LED14 x 1G	14 x 1	8.85	BAY51-Q LED14 x 1GJ	14 x 1	9.15	BAY51-Q LED14 x 2G	14 x 2	9.30	BAY51-Q LED14 x 2GJ	14 x 2	9.65
BAY51-Q LED28 x 1L	28 x 1	12.50	BAY51-Q LED28 x 1LJ	28 x 1	13.10	BAY51-Q LED28 x 2L	28 x 2	12.90	BAY51-Q LED28 x 2LJ	28 x 2	13.60
BAY51-Q LED28 x 1X	28 x 1	13.20	BAY51-Q LED28 x 1XJ	28 x 1	13.90	BAY51-Q LED28 x 2X	28 x 2	13.70	BAY51-Q LED28 x 2XJ	28 x 2	14.40
BAY51-Q LED28 x 1B	28 x 1	13.30	BAY51-Q LED28 x 1BJ	28 x 1	14.00	BAY51-Q LED28 x 2B	28 x 2	13.80	BAY51-Q LED28 x 2BJ	28 x 2	14.50
BAY51-Q LED28 x 1D	28 x 1	13.55	BAY51-Q LED28 x 1DJ	28 x 1	14.25	BAY51-Q LED28 x 2D	28 x 2	14.00	BAY51-Q LED28 x 2DJ	28 x 2	14.75
BAY51-Q LED28 x 1G	28 x 1	13.20	BAY51-Q LED28 x 1GJ	28 x 1	13.90	BAY51-Q LED28 x 2G	28 x 2	13.70	BAY51-Q LED28 x 2GJ	28 x 2	14.40

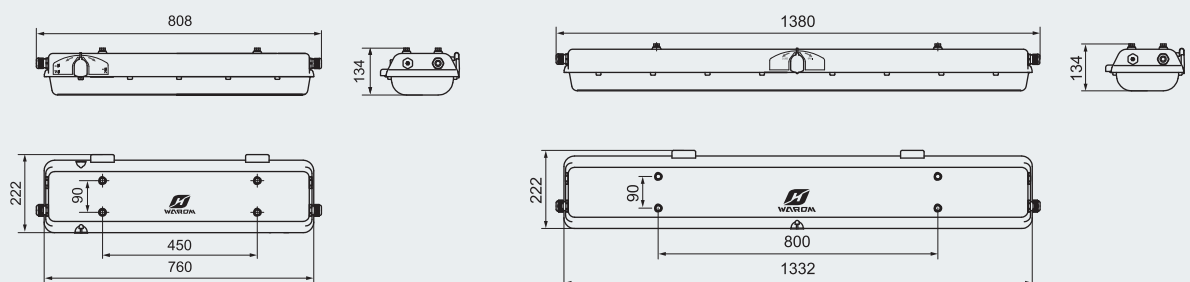
Note: Products above include all the mounting accessories listed in Mounting Accessories & Spare Parts Table (see P2/12~13).

Selection table for external power supply, LED lamp and driving power are split type

Type / Ordering code	Lamp power(W)	Weight (kg)	Type / Ordering code	Lamp power(W)	Weight (kg)
BAY51-Q LED9 x 1L	9 x 1	7.40	BAY51-Q LED9 x 2L	9 x 1	8.05
BAY51-Q LED9 x 1X	9 x 1	7.50	BAY51-Q LED9 x 2X	9 x 1	7.95
BAY51-Q LED9 x 1B	9 x 1	8.50	BAY51-Q LED9 x 2B	9 x 1	8.95
BAY51-Q LED9 x 1D	9 x 1	8.80	BAY51-Q LED9 x 2D	9 x 1	9.25
BAY51-Q LED9 x 1G	9 x 1	8.45	BAY51-Q LED9 x 2G	9 x 1	8.90
BAY51-Q LED18 x 1L	18 x 1	12.10	BAY51-Q LED18 x 2L	18 x 1	12.50
BAY51-Q LED18 x 1X	18 x 1	12.80	BAY51-Q LED18 x 2X	18 x 1	13.30
BAY51-Q LED18 x 1B	18 x 1	12.90	BAY51-Q LED18 x 2B	18 x 1	13.40
BAY51-Q LED18 x 1D	18 x 1	13.15	BAY51-Q LED18 x 2D	18 x 1	13.60
BAY51-Q LED18 x 1G	18 x 1	12.80	BAY51-Q LED18 x 2G	18 x 1	13.50

Note: Products above include all the mounting accessories listed in Mounting Accessories & Spare Parts Table (see P2/12~13).

Dimension drawings (all dimensions in mm) - subject to alteration



BAY51-Q LED 14 x □ □ □
BAY51-Q LED 9 x □ □

BAY51-Q LED 28 x □ □ □
BAY51-Q LED 18 x □ □

Light Fittings for Fluorescent Lamp

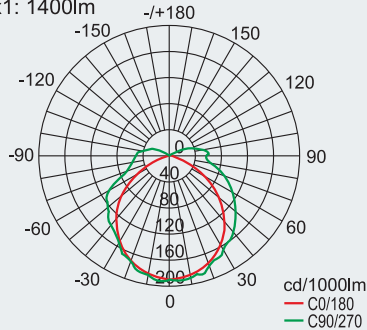
BAY51-Q LED Series Explosion-proof Light Fittings for Fluorescent Lamp

Photometric data Note: LED luminous flux is from the standard product of which colour temperature is 5400 to 6500K (cool white).

BAY51-Q LED 14x1 □□

Rated luminous flux

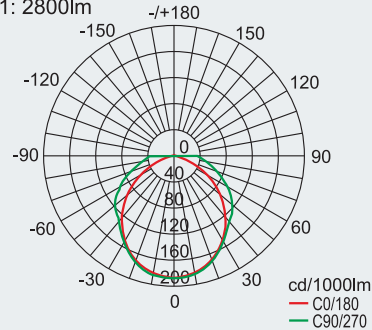
LED 14Wx1: 1400lm



BAY51-Q LED 28x1 □□

Rated luminous flux

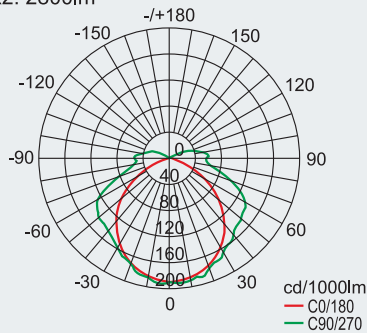
LED 28Wx1: 2800lm



BAY51-Q LED 14x2 □□

Rated luminous flux

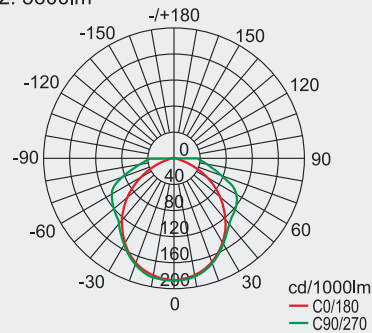
LED 14Wx2: 2800lm



BAY51-Q LED 28x2 □□

Rated luminous flux

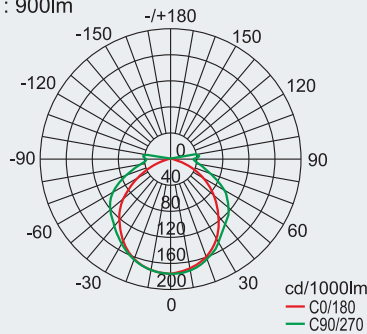
LED 28Wx2: 5600lm



BAY51-Q LED 9x1 □

Rated luminous flux

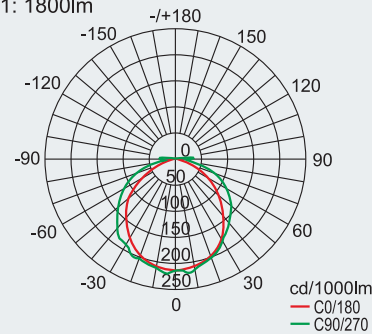
LED 9Wx1: 900lm



BAY51-Q LED 18x1 □

Rated luminous flux

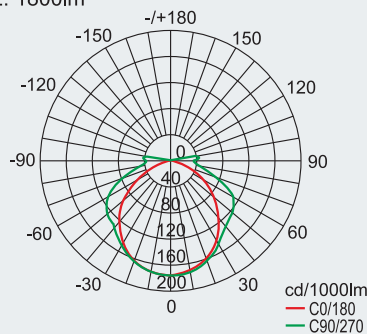
LED 18Wx1: 1800lm



BAY51-Q LED 9x2 □

Rated luminous flux

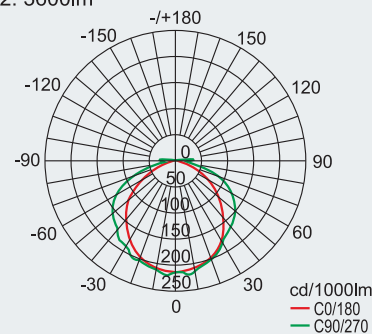
LED 9Wx2: 1800lm



BAY51-Q LED 18x2 □

Rated luminous flux

LED 18Wx2: 3600lm



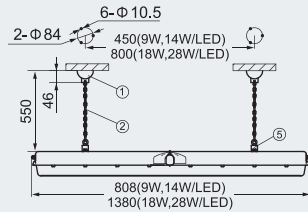
We can provide lighting design and data by professional lighting software DIALUX based upon simulated site situation on request.

Light Fittings for Fluorescent Lamp BAY51-Q LED Series Explosion-proof Light Fittings for Fluorescent Lamp

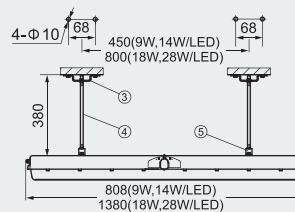
Mounting type (all dimensions in mm) – subject to alteration

Installation reference

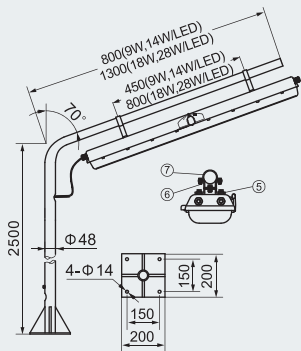
D: pendant chain type



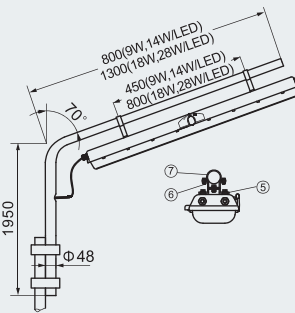
G: pendant pole type



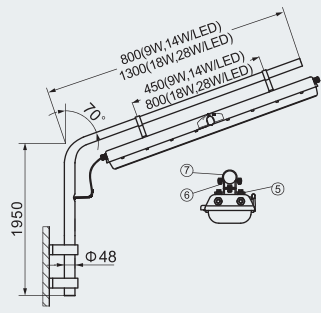
L: pole type (the pole is provided by user)



Suitable for ground pole type

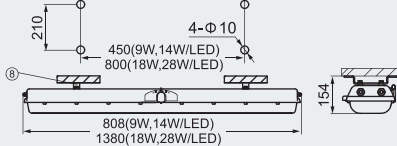


Suitable for fence pole type

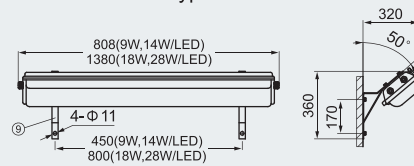


Suitable for wall pole type

X: ceiling type



B: wall type



Mounting Accessories & Spare Parts Table

Supplied according to the mounting type

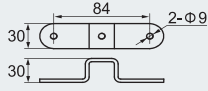
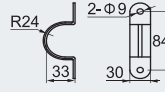
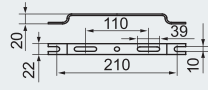
Mounting type	Accessories			Ordering code	Weight (kg)
	Name	Qty	Illustration		
D: pendant chain type	①.Sucker	2		5136017	0.15
	②.Chain	2	Length: 450mm	5136016	0.08
	⑤.Mounting bracket	2	Same as pendant pole type	5136030	0.07
G: pendant pole type	③.Mounting bracket	2		51S01G1	0.04
	④.M8 Screw	2	Length: 350mm	51S01G2	0.12
	⑤.Mounting bracket	2		5136030	0.07

Note: Accessories not in the table shall be supplied by user.

Light Fittings for Fluorescent Lamp BAY51-Q LED Series Explosion-proof Light Fittings for Fluorescent Lamp

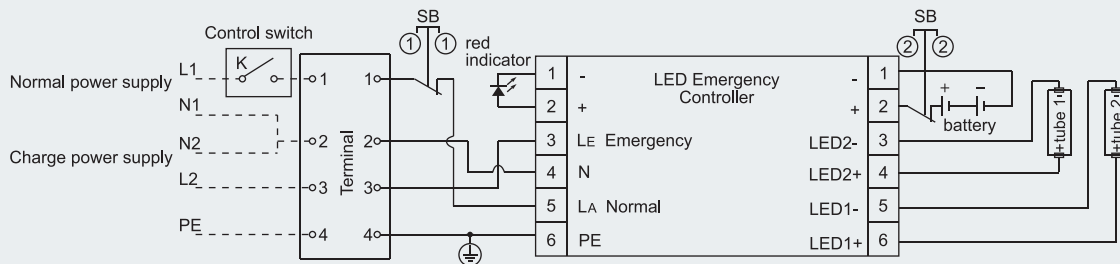
Mounting Accessories & Spare Parts Table

Supplied according to the mounting type

Mounting type	Accessories			Ordering code	Weight (kg)
	Name	Qty	Illustration		
L: pole type	⑥.Mounting bracket	2		5136012	0.04
	⑦.G1 1/2" Pipe clamp	2		5136014	0.04
	⑤.Mounting bracket	2	Same as pendant pole type	5136030	0.07
X: ceiling type	⑧.Mounting bracket	2		5136015	0.20
B: wall type	⑨.Wall bracket	2	Welded sheet steel	5136B02	0.62








Note: Accessories not in the table shall be supplied by user.

Schematic diagram (BAY51-Q LED□x□□J, LED lamp)



Note: Tube for lamp 2 shall be default for single tube fittings.

Accessories

Picture	Name	Ordering code	Weight (kg)
	HRB14-2C Explosion-proof LED driver (LED/14W)	5114001	1.30
	HRB28-2C Explosion-proof LED driver (LED/28W)	5128001	1.30
	HRE14-2C Explosion-proof LED emergency controller (LED/14W)	5114002	1.75
	HRE28-2C Explosion-proof LED emergency controller (LED/28W)	5128002	1.75
	BT8-9 Explosion-proof LED lamp tube (LED/9W)	51E0901	0.25
	BT8-18 Explosion-proof LED lamp tube (LED/18W)	51E1801	0.52
	Ex m T8-14 Explosion-proof LED lamp tube (LED/14W)	5114003	0.18
	Ex m T8-28 Explosion-proof LED lamp tube (LED/28W)	5128003	0.34



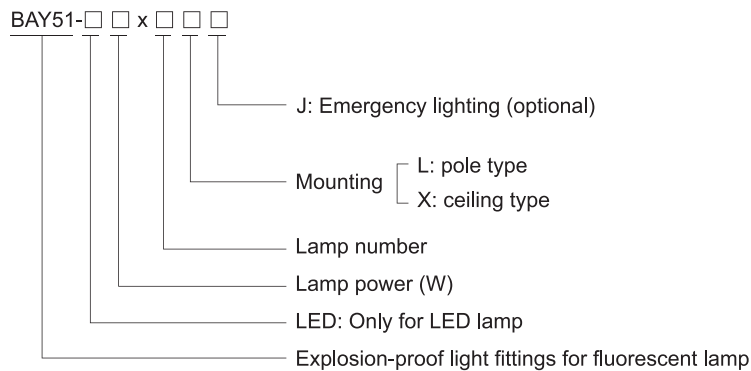
Light Fittings for Fluorescent Lamp

BAY51 Series Explosion-proof Light Fittings for Fluorescent Lamp



- ◆ Explosion protection to
 - CENELEC
 - IEC
 - NEC
- ◆ Can be used in
 - Zone 1 and Zone 2
 - Zone 21 and Zone 22
 - Class I, Zone 1 and Zone 2
 - Class I, Division 1, Groups A, B, C, D
- ◆ Single or dual lamp versions
- ◆ Available lamp and power
 - Fluorescent lamps: 18W x 1, 36W x 1, 58W x 1, 18W x 2, 36W x 2, 58W x 2.
 - LED lamps: 9W x 1, 9W x 2, 18W x 1, 18W x 2, 28W x 1, 28W x 2.
- ◆ The glass tube stands 4J impact.
- ◆ Enclosure in copper-free aluminium, powder coated surface, yellow (RAL1021).
- ◆ Built-in electronic ballast, wide voltage input, rapid starting, stable performance, power factor \geq 0.95.
- ◆ Built-in LED driver, wide voltage input, CC-CV (constant current - constant voltage) output, power factor \geq 0.95.
- ◆ End of lamp life (EOL) rectification effect protection.

■ Catalogue number logic



Zones 1&2; 21&22

Light Fittings for Fluorescent Lamp

BAY51 Series Explosion-proof Light Fittings for Fluorescent Lamp

Technical data

Explosion-proof light fittings for fluorescent lamp BAY51-□ x □□

Explosion protection

Gas explosion protection
Dust explosion protection

Ex II 2 G Ex d IIC T6 Gb Ex d IIC T6 Gb
Ex II 2 D Ex tb IIIC T80°C Db IP66 Ex t IIIC T80°C Db IP66

Certificates

LCIE 09 ATEX 3046; IECEx CQM 12.0042X; RU C-CN.ГБ05.В.00344 (CU-TR)

Conformity to standards

EN 60079-0, EN 60079-1, EN 60079-31

IEC 60079-0, IEC 60079-1, IEC 60079-31

Material

Enclosure Copper-free aluminium, powder coated surface, yellow (RAL1021)
Glass tube Toughened glass, stands 4J impact
Ballast Electronic ballast
Wire guard (optional) Powder coated carbon steel (white) or stainless steel
Exposed fastener Stainless steel

Lamp

Lamp specification T8 tube (supplied with the light fittings)
Lamp power (W)

18W x 1	18W x 2
36W x 1	36W x 2
58W x 1	58W x 2

Rated voltage

100~300V AC 50/60Hz

Earthing protection

M5 (internal & external earth bolts)

Degree of protection

IP66, IP67 (optional)

Ambient temperature

-20°C~+55°C

Terminal

3 x 1.5~4mm² (L+N+PE)

Cable entries

Single lamp 2 x M25 x 1.5 plugs
Dual lamp 2 x M25 x 1.5 plugs

Cable gland (optional)

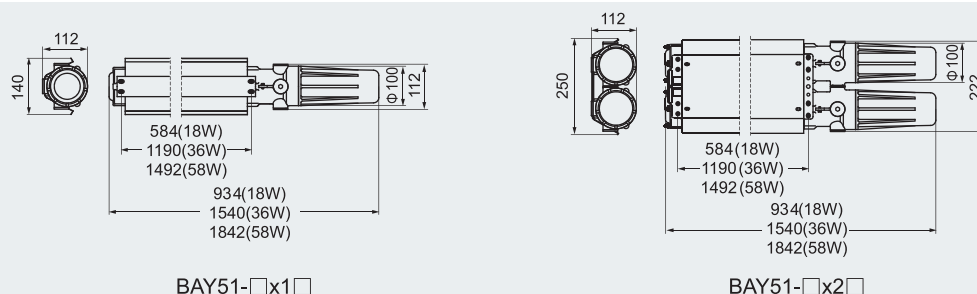
DQM-II (Ex d) or DQM-III (Ex d) is recommended. Please see P7/20~27

Selection table

Type / Ordering code	Lamp power(W)	Weight(kg)	Type / Ordering code	Lamp power(W)	Weight(kg)
BAY51-18 x 1X	18 x 1	5.60	BAY51-18 x 2X	18 x 2	10.60
BAY51-18 x 1L	18 x 1	6.50	BAY51-18 x 2L	18 x 2	11.55
BAY51-36 x 1X	36 x 1	8.80	BAY51-36 x 2X	36 x 2	16.30
BAY51-36 x 1L	36 x 1	9.30	BAY51-36 x 2L	36 x 2	16.85
BAY51-58 x 1X	58 x 1	10.40	BAY51-58 x 2X	58 x 2	18.30
BAY51-58 x 1L	58 x 1	10.85	BAY51-58 x 2L	58 x 2	19.20

Note: Products above include all the mounting accessories listed in Mounting Accessories & Spare Parts Table (see P2/21~22).

Dimension drawings (all dimensions in mm) - subject to alteration



Light Fittings for Fluorescent Lamp

BAY51 Series Explosion-proof Light Fittings for Fluorescent Lamp

Technical data

Explosion-proof emergency light fittings for fluorescent lamp BAY51-□ × □□J

Explosion protection

- Gas explosion protection
- Dust explosion protection

⊕ II 2 G Ex d IIC T6 Gb

⊕ II 2 D Ex tb IIIC T80°C Db IP66

Certificates

LCIE 13 ATEX 3003X; IECEX CQM 13.0004X; CU-TR

Conformity to standards

EN 60079-0, EN 60079-1, EN 60079-31

IEC 60079-0, IEC 60079-1, IEC 60079-31

Material

Enclosure

Copper-free aluminium, powder coated surface, yellow (RAL1021)

Glass tube

Toughened glass, stands 4J impact

Emergency unit

Special emergency controller and Ni-MH battery pack, with protection against over-charge and overdischarge

Ballast

Electronic ballast

Wire guard (optional)

Powder coated carbon steel (white) or stainless steel

Exposed fastener

Stainless steel

Lamp

Lamp specification

T8 tube (supplied with the light fittings)

Lamp power (W)

18W x 2, 36W x 2, 58W x 2

Emergency power (W)

18W x 1, 36W x 1, 58W x 1

Emergency starting time

0.3s

Charging time

24h

Emergency lighting time

120min (180min is optional)

Rated voltage

100~300V AC 50/60Hz

Earthing protection

M5 (internal & external earth bolts)

Degree of protection

IP66, IP67(optional)

Ambient temperature

-20°C~+55°C

Terminal

3 x 1.5~4mm² (L+N+PE)

Cable entries

4 x M25 x 1.5 plugs

Cable gland (optional)

DQM-II (Ex d) or DQM-III (Ex d) is recommended. Please see P7/20~27

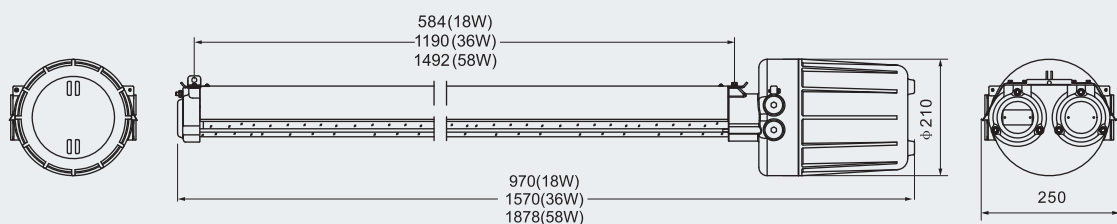


Selection table

Type / Ordering code	Lamp power(W)	Weight(kg)	Type / Ordering code	Lamp power(W)	Weight(kg)
BAY51-18 x 2XJ	18 x 2	14.50	BAY51-36 x 2LJ	36 x 2	20.30
BAY51-18 x 2LJ	18 x 2	14.60	BAY51-58 x 2XJ	58 x 2	22.20
BAY51-36 x 2XJ	36 x 2	20.20	BAY51-58 x 2LJ	58 x 2	22.30

Note: Products above include all the mounting accessories listed in Mounting Accessories & Spare Parts Table (see P2/23).

Dimension drawings (all dimensions in mm) - subject to alteration



BAY51-□x2□J

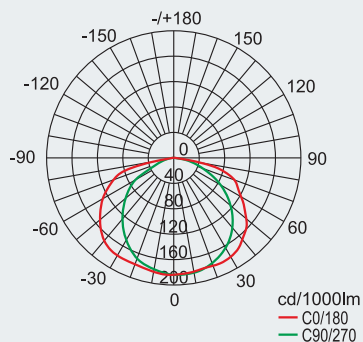
Light Fittings for Fluorescent Lamp

BAY51 Series Explosion-proof Light Fittings for Fluorescent Lamp

Photometric data

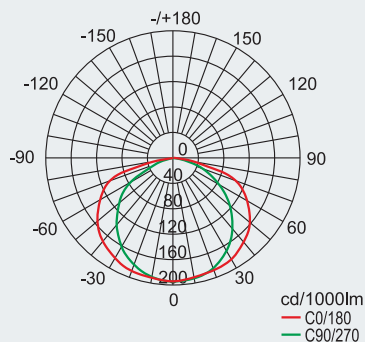
BAY51-18x1□□

Rated luminous flux
18Wx1: 1300lm



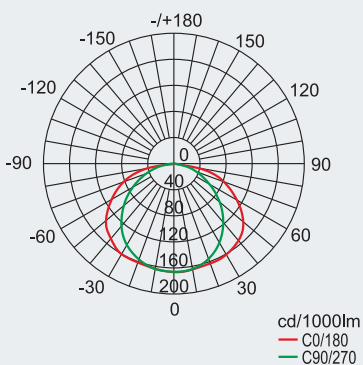
BAY51-18x2□□

Rated luminous flux
18Wx2: 2600lm



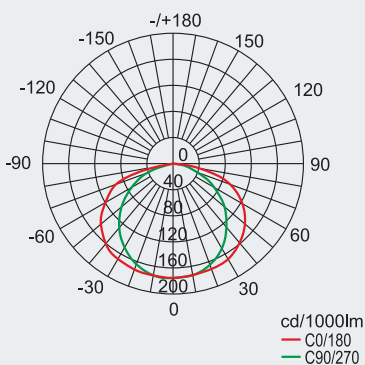
BAY51-36x1□□

Rated luminous flux
36Wx1: 3250lm



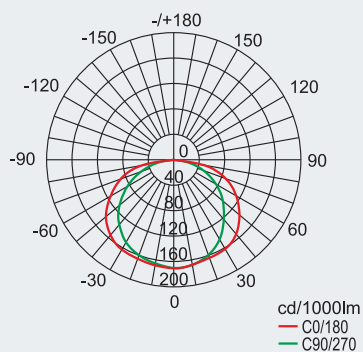
BAY51-36x2□□

Rated luminous flux
36Wx2: 6500lm



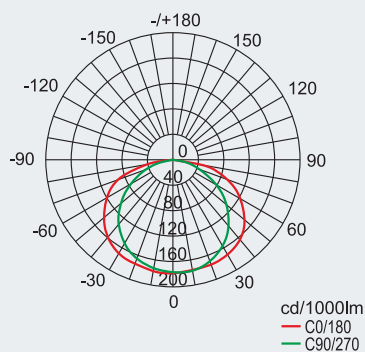
BAY51-58x1□□

Rated luminous flux
58Wx1: 5000lm



BAY51-58x2□□

Rated luminous flux
58Wx2: 10000lm



We can provide lighting design and data by professional lighting software DIALUX based upon simulated site situation on request.

Light Fittings for Fluorescent Lamp

BAY51 Series Explosion-proof Light Fittings for Fluorescent Lamp

Technical data

Explosion-proof light fittings with LED tubes BAY51-LED □ × □ □

Explosion protection

- Gas explosion protection
- Dust explosion protection

Ex II 2 G Ex db IIC T6 Gb
Ex II 2 D Ex tb IIIC T80°C Db IP66

Certificates

EPT 15 ATEX 2287X; LCIE 11 ATEX 3112X; IECEx CQM 12.0005X; CU-TR

Conformity to standards

EN 60079-0, EN 60079-1, EN 60079-31
IEC 60079-0, IEC 60079-1, IEC 60079-31

Material

- Enclosure
- Glass tube
- LED driver

Copper-free aluminium, powder coated surface, yellow (RAL1021)
Toughened glass, stands 4J impact

Wide voltage input, CC-CV (constant current - constant voltage) output, power factor ≥ 0.95, with function of distributed current, constant current, surge-proof and anti-electromagnetic interference, and protection against overcurrent, open circuit, and short circuit.

- Wire guard (optional)
- Exposed fastener

Powder coated carbon steel (white) or stainless steel
Stainless steel

Lamp

- Lamp specification
- Lamp power (W)
- Colour Temperature (CCT)

LED module (supplied with the light fittings)

9W x 1, 9W x 2, 18W x 1, 18W x 2, 28W x 1, 28W x 2

Cool white: 5400 ~ 6500K

Note: cool white is available in general. Warm white (2700~3500K) or nature white (4700~5400K) is optional, please specify when ordering.

110~265V AC 50/60Hz

M5 (internal & external earth bolts)

IP66, IP67(optional)

Rated voltage

Earthing protection

Degree of protection

Ambient temperature

Certificates	Lamp power (W)	Ambient temperature
EPT 15 ATEX 2287X	9W x 1, 9W x 2, 18W x 1 18W x 2, 28W x 1, 28W x 2	-20°C~+55°C
LCIE 11 ATEX 3112X	9W x 1, 9W x 2 18W x 1, 18W x 2	-40°C~+55°C
IECEx CQM 12.0005X	9W x 1, 9W x 2, 18W x 1, 18W x 2	-40°C~+55°C
	28W x 1, 28W x 2	-20°C~+55°C

Terminal

Mounting

Cable entries

- Single lamp
- Dual lamp

Cable gland

3 x 1.5~4mm² (L+N+PE)
Ceiling type, pole type

2 x M25 x 1.5 plugs
2 x M25 x 1.5 plugs

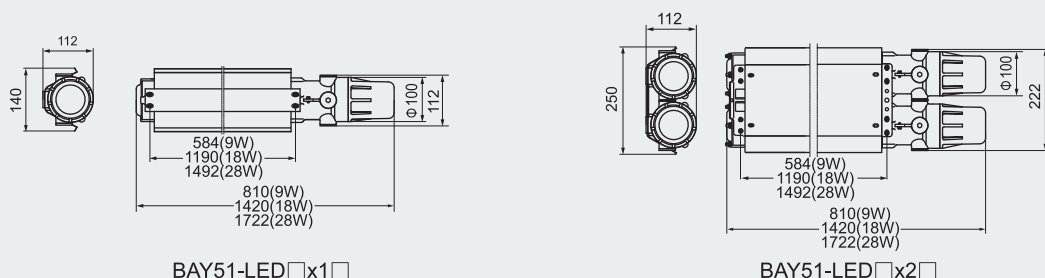
DQM-II (Ex d) or DQM-III (Ex d) is recommended. Please see P7/20~27

Selection table

Type / Ordering code	Lamp power(W)	Weight(kg)	Type / Ordering code	Lamp power(W)	Weight(kg)
BAY51-LED 9 x 1X	9 x 1	5.50	BAY51-LED 9 x 2X	9 x 2	9.80
BAY51-LED 9 x 1L	9 x 1	5.90	BAY51-LED 9 x 2L	9 x 2	10.50
BAY51-LED 18 x 1X	18 x 1	8.30	BAY51-LED 18 x 2X	18 x 2	15.70
BAY51-LED 18 x 1L	18 x 1	8.35	BAY51-LED 18 x 2L	18 x 2	16.40
BAY51-LED 28 x 1X	28 x 1	10.00	BAY51-LED 28 x 2X	28 x 2	17.30
BAY51-LED 28 x 1L	28 x 1	10.30	BAY51-LED 28 x 2L	28 x 2	18.30

Note: Products above include all the mounting accessories listed in Mounting Accessories & Spare Parts Table (see P2/21~22).

Dimension drawings (all dimensions in mm) - subject to alteration



Light Fittings for Fluorescent Lamp

BAY51 Series Explosion-proof Light Fittings for Fluorescent Lamp

Technical data

Explosion-proof light fittings with LED tubes BAY51-LED□ × □□J

Explosion protection

- Gas explosion protection
- Dust explosion protection

Ex II 2 G Ex d IIC T6 Gb

Ex II 2 D Ex tb IIIC T80°C Db IP66

Certificates

EUT 14 ATEX 1885; IECEx CQM 14.0051X; CU-TR

Conformity to standards

EN 60079-0, EN 60079-1, EN 60079-31

IEC 60079-0, IEC 60079-1, IEC 60079-31

Material

- Enclosure
- Glass tube
- LED driver

Copper-free aluminium, powder coated surface, yellow (RAL1021)

Toughened glass, stands 4J impact

Wide voltage input, CC-CV (constant current - constant voltage) output, power factor ≥ 0.95, with function of distributed current, constant current, surge-proof and anti-electromagnetic interference, and protection against overcurrent, open circuit, and short circuit.

Emergency unit

Special emergency controller and Ni-MH battery pack, with protection against overcharge and overdischarge

Wire guard (optional)

Powder coated carbon steel (white) or stainless steel

Exposed fastener

Stainless steel

Lamp

- Lamp specification
- Lamp power (W)
- Colour Temperature (CCT)

LED module (supplied with the light fittings)

9W x 2, 18W x 2, 28W x 2

Cool white: 5400 ~ 6500K

Note: cool white is available in general. Warm white (2700~3500K) or nature white (4700~5400K) is optional, please specify when ordering.

Emergency power (W)

9W x 1, 18W x 1, 28W x 1

Emergency starting time

0.3s

Charging time

24h

Emergency lighting time

120min (180min is optional)

Rated voltage

110~265V AC 50/60Hz

Earthing protection

M5 (internal & external earth bolts)

Degree of protection

IP66, IP67 (optional)

Ambient temperature

-20°C~+55°C

Terminal

3 x 1.5~4mm² (L+N+PE)

Cable entries

4 x M25 x 1.5 plugs

Cable gland(optional)

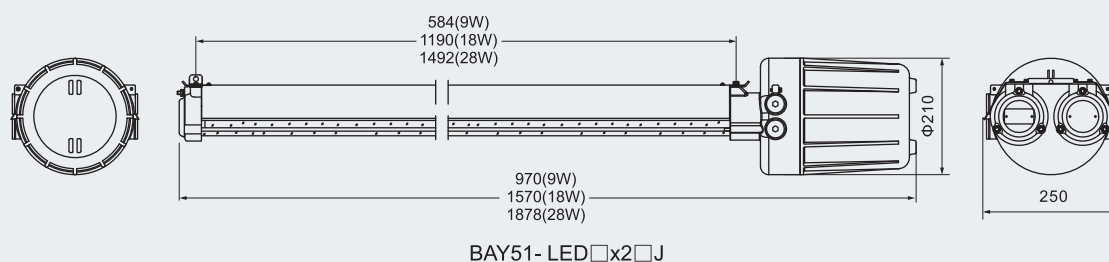
DQM-II (Ex d) or DQM-III (Ex d) is recommended. Please see P7/20~27

Selection table

Type / Ordering code	Lamp power(W)	Weight (kg)	Type / Ordering code	Lamp power(W)	Weight (kg)	Type / Ordering code	Lamp power(W)	Weight (kg)
BAY51-LED 9 x 2XJ	9 x 2	13.70	BAY51-LED 18 x 2XJ	18 x 2	19.40	BAY51-LED 28 x 2XJ	28 x 2	21.40
BAY51-LED 9 x 2LJ	9 x 2	13.80	BAY51-LED 18 x 2LJ	18 x 2	19.50	BAY51-LED 28 x 2LJ	28 x 2	21.50

Note: Products above include all the mounting accessories listed in Mounting Accessories & Spare Parts Table (see P2/23).

Dimension drawings (all dimensions in mm) - subject to alteration

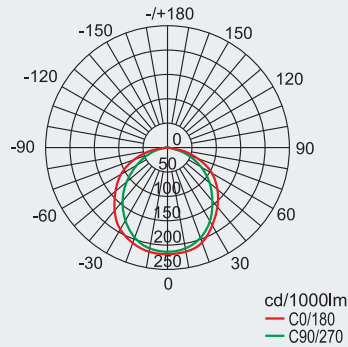


Light Fittings for Fluorescent Lamp BAY51 Series Explosion-proof Light Fittings for Fluorescent Lamp

Photometric data Note: LED luminous flux is from the standard product of which colour temperature is 5400 to 6500K (cool white).

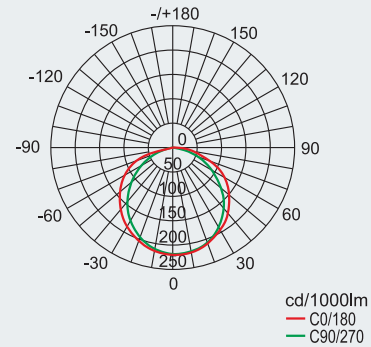
BAY51-LED 9x1□

Rated luminous flux
LED 9Wx1: 945lm



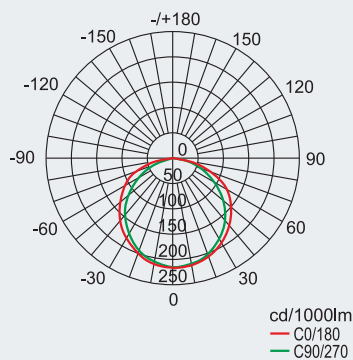
BAY51-LED 9x2□□

Rated luminous flux
LED 9Wx2: 1890lm



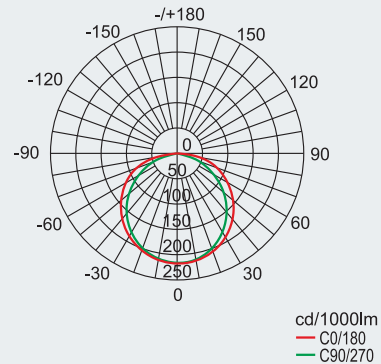
BAY51-LED 18x1□

Rated luminous flux
LED 18Wx1: 1890lm



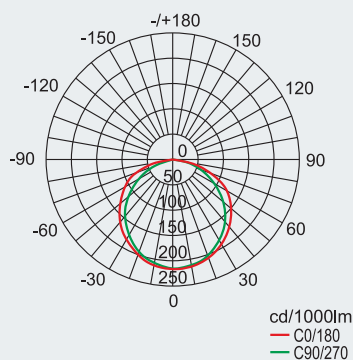
BAY51-LED 18x2□□

Rated luminous flux
LED 18Wx2: 3780lm



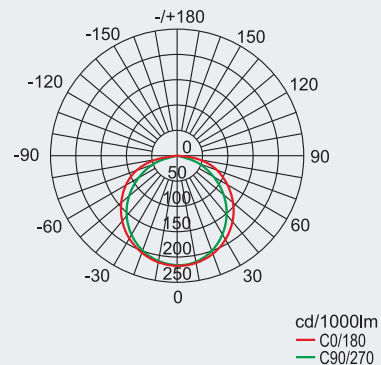
BAY51-LED 28x1□

Rated luminous flux
LED 28Wx1: 2940lm



BAY51-LED 28x2□□

Rated luminous flux
LED 28Wx2: 5580lm



We can provide lighting design and data by professional lighting software DIALUX based upon simulated site situation on request.



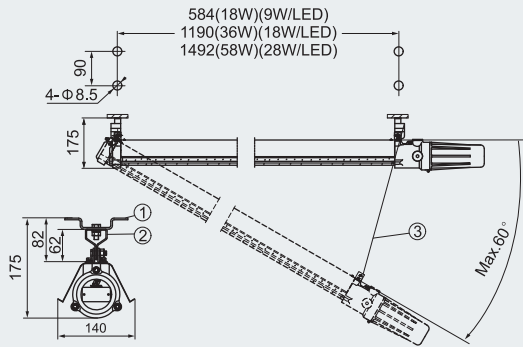
Light Fittings for Fluorescent Lamp

BAY51 Series Explosion-proof Light Fittings for Fluorescent Lamp

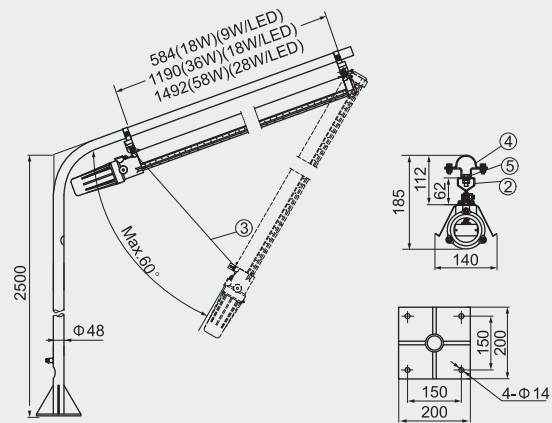
Mounting type for light fittings with single lamp tube (all dimensions in mm) - subject to alteration

Installation reference

X: ceiling type



L: pole type (the pole is provided by user)



Mounting Accessories & Spare Parts Table (light fittings with single lamp tube)

Supplied according to the mounting type

Mounting type	Accessories			Ordering code	Weight (kg)
	Name	Qty	Illustration		
X: ceiling type	①.Mounting bracket	2		5136030	0.07
	②.Connector	2		51S01X1	0.04
	③.Steel wire rope (with hook)	1	Length: 0.7m (18W), 1.3m (36W), 1.6m (58W)	51S01X2	0.30~0.50
L: pole type	④.G1 1/2" Pipe clamp	2		5136014	0.04
	⑤.Mounting bracket	2		5136012	0.04
	②.Connector	2	Same as ceiling type	51S01X1	0.04
	③.Steel wire rope (with hook)	1	Same as ceiling type	51S01X2	0.30~0.50

Note: Accessories not in the table shall be supplied by user.

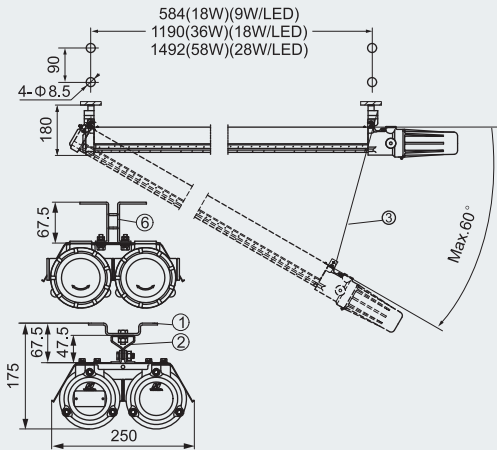


Light Fittings for Fluorescent Lamp BAY51 Series Explosion-proof Light Fittings for Fluorescent Lamp

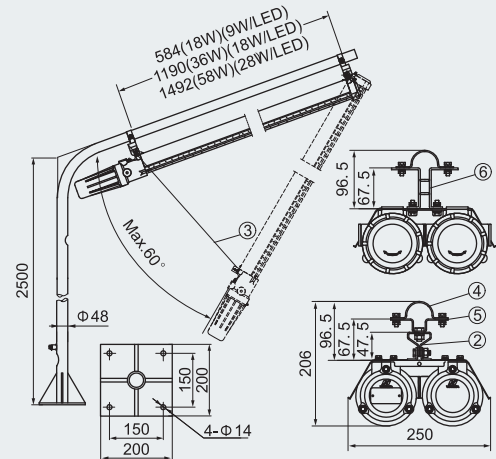
Mounting type for light fittings with dual lamp tube (all dimensions in mm) - subject to alteration

Installation reference

X: ceiling type



L: pole type (the pole is provided by user)



Mounting Accessories & Spare Parts Table (light fittings with dual lamp tube)

Supplied according to the mounting type

Mounting type	Accessories			Ordering code	Weight (kg)
	Name	Qty	Illustration		
X: ceiling type	①.Mounting bracket	1		5136030	0.07
	②.Connector	1		51S01X1	0.04
	③.Steel wire rope (with hook)	1	Length: 0.7m (18W), 1.3m (36W), 1.6m (58W)	51S01X2	0.30~0.50
	⑥.Mounting bracket	1		51D01X3	0.13
L: pole type	④.G1 1/2" Pipe clamp	2		5136014	0.04
	⑤.Mounting bracket	1		5136012	0.04
	②.Connector	2	Same as ceiling type	51S01X1	0.04
	③.Steel wire rope (with hook)	1	Same as ceiling type	51S01X2	0.30~0.50
	⑥.Mounting bracket	1	Same as ceiling type	51D01X3	0.13

Note: Accessories not in the table shall be supplied by user.

Light Fittings for Fluorescent Lamp

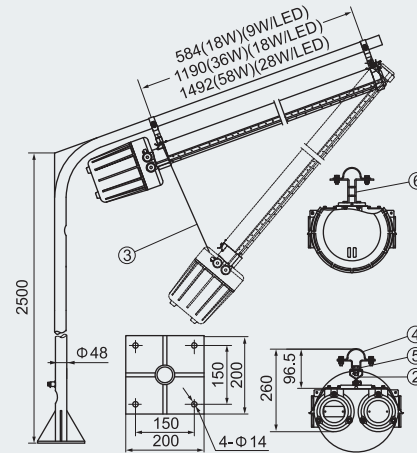
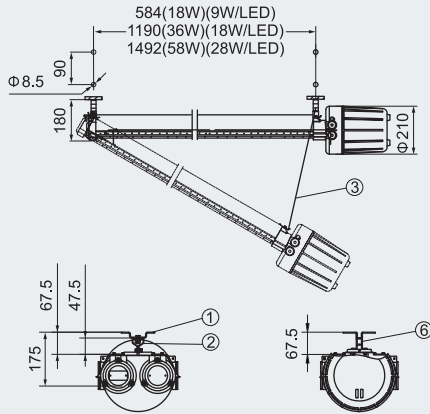
BAY51 Series Explosion-proof Light Fittings for Fluorescent Lamp

Mounting type for light fittings with dual lamp tube (all dimensions in mm) - subject to alteration

Installation reference

X: ceiling type (for: BAY51-□×2XJ; BAY51-LED□×2XJ)

L: pole type (the pole is provided by user)
(for: BAY51-□×2LJ; BAY51-LED□×2LJ)



Mounting Accessories & Spare Parts Table (light fittings with dual lamp tube)

Supplied according to the mounting type

Mounting type	Accessories			Ordering code	Weight (kg)
	Name	Qty	Illustration		
X: ceiling type	①.Mounting bracket	1		5136030	0.07
	②.Connector	1		51S01X1	0.04
	③.Steel wire rope (with hook)	1	Length: 0.7m (18W), 1.3m (36W), 1.6m (58W)	51S01X2	0.30~0.50
	⑥.Mounting bracket	1		51D01X3	0.13
L: pole type	④.G1 1/2" Pipe clamp	2		5136014	0.04
	⑤.Mounting bracket	1		5136012	0.04
	②.Connector	2	Same as ceiling type	51S01X1	0.04
	③.Steel wire rope (with hook)	1	Same as ceiling type	51S01X2	0.30~0.50
	⑥.Mounting bracket	1	Same as ceiling type	51D01X3	0.13

Note: Accessories not in the table shall be supplied by user.



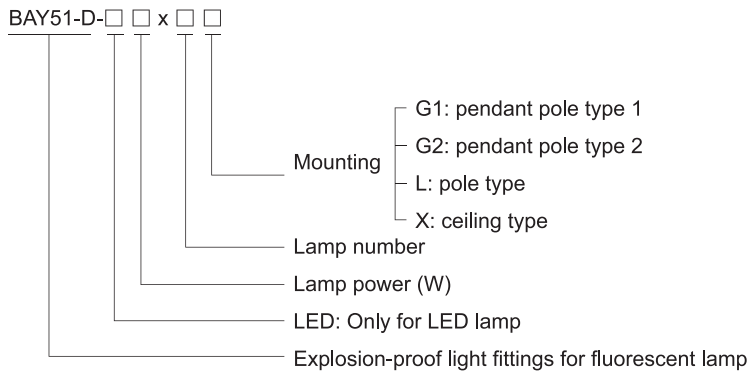
Light Fittings for Fluorescent Lamp

BAY51-D Series Explosion-proof Light Fittings for Fluorescent Lamp

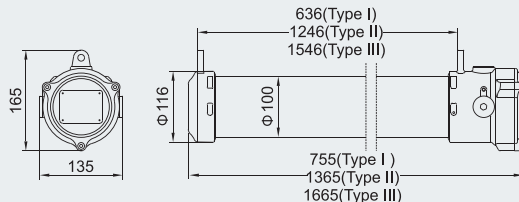


- ◆ Explosion Protection to
 - CENELEC
 - IEC
 - NEC
- ◆ Can be used in
 - Zone 1 and Zone 2
 - Zone 21 and Zone 22
 - Class I, Zone 1 and Zone 2
 - Class I, Division 1, Groups B, C, D
- ◆ Three enclosure types: Type I, Type II and Type III
 - Available lamp and power
 - Type I: T8 18W x 2, T5 14W x 2, LED 9W x 2
 - Type II: T8 36W x 2, T5 28W x 2, LED 18W x 2
 - Type III: T8 58W x 2, T5 35W x 2, LED 28W x 2
- ◆ The glass tube stands 4J impact.
- ◆ Enclosure in copper-free aluminium, powder coated surface, yellow (RAL1021).
- ◆ Built-in electronic ballast, wide voltage input, rapid starting, stable performance, power factor \geq 0.95.
- ◆ Built-in LED driver, wide voltage input, CC-CV (constant current - constant voltage) output, power factor \geq 0.95.
- ◆ End of lamp life (EOL) rectification effect protection.
- ◆ Emergency functions are available on request.

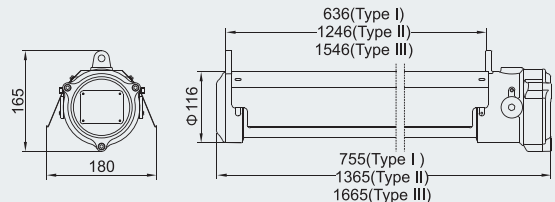
Catalogue number logic



Dimension drawings (all dimensions in mm) - subject to alteration



BAY51-D-□□x□□
Without external reflector



BAY51-D-□□x□□
With external reflector

Zones 1&2; 21&22

Light Fittings for Fluorescent Lamp

BAY51-D Series Explosion-proof Light Fittings for Fluorescent Lamp

Technical data

Explosion-proof light fittings for fluorescent lamp BAY51-D-□□ × □□

Explosion protection	Gas explosion protection Dust explosion protection	⊕ II 2 G Ex db IIB T6 Gb; ⊕ II 2 G Ex db IIB+H ₂ T6 Gb; ⊕ II 2 D Ex tb IIIC T80°C Db IP66
Certificates		EPT ATEX 16 2504X; IECEX CQM 16.0023X
Conformity to standards		EN 60079-0, EN 60079-1, EN 60079-31 IEC 60079-0, IEC 60079-1, IEC 60079-31
Material	Enclosure Glass tube Ballast LED driver	Copper-free aluminium, powder coated surface, yellow (RAL1021) Toughened glass, stands 4J impact Electronic ballast Wide voltage input, CC-CV (constant current - constant voltage) output, power factor≥0.95, with function of distributed current, constant current, surge-proof and anti-electromagnetic interference, and protection against overcurrent, open circuit, and short circuit.
	Wire guard (optional) External reflector (optional) Exposed fastener	Powder coated carbon steel (white) or stainless steel Powder coated carbon steel (white) or stainless steel Stainless steel
Lamp	Lamp specification	T8 fluorescent lamp (supplied with the light fittings) T5 fluorescent lamp (supplied with the light fittings) LED module (supplied with the light fittings)
	Lamp power (W)	T8: 18Wx2, 36Wx2, 58Wx2 T5: 14Wx2, 28Wx2, 35Wx2 LED: 9Wx2, 18Wx2, 28Wx2
	Colour Temperature (CCT)	Cool white: 5400~6500K Note: cool white is available in general. Warm white (2700~3500K) or nature white (4700~5400K) is optional, please specify when ordering.
Rated voltage		T8/T5: 220~240V AC 50/60Hz; 100~300V AC 50/60Hz; LED: 110~265V AC 50/60Hz
Earthing protection		M5 (internal & external earth bolts)
Degree of protection		IP66, IP67 (optional)
Ambient temperature		⊕ II 2 G Ex db IIB+H ₂ T6 Gb for Tamb: -20°C~+55°C ⊕ II 2 G Ex db IIB T6 Gb and ⊕ II 2 D Ex tb IIIC T80°C Db IP66 for Tamb: -60°C~+55°C
Terminal		3 x 1.5~4mm ² (L+N+PE)
Cable entries		2 x M25 x 1.5 plugs
Cable gland(optional)		DQM-II (Ex d) or DQM-III (Ex d) is recommended. Please see P7/20~27

Selection table

Type / Ordering code	Lamp power(W)	Weight (kg)	Type / Ordering code	Lamp power(W)	Weight (kg)	Type / Ordering code	Lamp power(W)	Weight (kg)
BAY51-D-18 x 2G1	18x2	5.85	BAY51-D-LED 9 x 2G1	9x2	5.75	BAY51-D-14 x 2G1	14x2	5.65
BAY51-D-18 x 2G2	18x2	7.00	BAY51-D-LED 9 x 2G2	9x2	6.90	BAY51-D-14 x 2G2	14x2	6.80
BAY51-D-18 x 2X	18x2	5.52	BAY51-D-LED 9 x 2X	9x2	5.42	BAY51-D-14 x 2X	14x2	5.32
BAY51-D-18 x 2L	18x2	5.64	BAY51-D-LED 9 x 2L	9x2	5.54	BAY51-D-14 x 2L	14x2	5.44
BAY51-D-36 x 2G1	36x2	8.45	BAY51-D-LED 18 x 2G1	18x2	8.35	BAY51-D-28 x 2G1	28x2	8.25
BAY51-D-36 x 2G2	36x2	9.63	BAY51-D-LED 18 x 2G2	18x2	9.53	BAY51-D-28 x 2G2	28x2	9.43
BAY51-D-36 x 2X	36x2	8.13	BAY51-D-LED 18 x 2X	18x2	8.03	BAY51-D-28 x 2X	28x2	7.93
BAY51-D-36 x 2L	36x2	8.25	BAY51-D-LED 18 x 2L	18x2	8.15	BAY51-D-28 x 2L	28x2	8.05
BAY51-D-58 x 2G1	58x2	9.72	BAY51-D-LED 28 x 2G1	28x2	9.62	BAY51-D-35 x 2G1	35x2	9.52
BAY51-D-58 x 2G2	58x2	10.90	BAY51-D-LED 28 x 2G2	28x2	10.80	BAY51-D-35 x 2G2	35x2	10.70
BAY51-D-58 x 2X	58x2	9.40	BAY51-D-LED 28 x 2X	28x2	9.30	BAY51-D-35 x 2X	35x2	9.20
BAY51-D-58 x 2L	58x2	9.52	BAY51-D-LED 28 x 2L	28x2	9.42	BAY51-D-35 x 2L	35x2	9.32

Note: 1. Products above include all the mounting accessories listed in Mounting Accessories & Spare Parts Table (see P2/27).
2. The light fittings are supplied without wire guard and external reflector. Please specify when ordering.



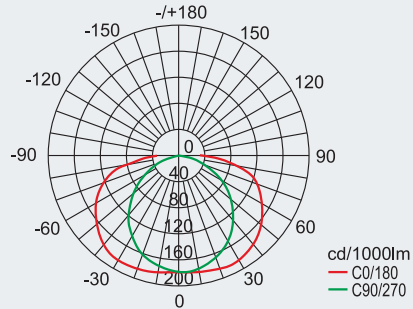
Light Fittings for Fluorescent Lamp

BAY51-D Series Explosion-proof Light Fittings for Fluorescent Lamp

Photometric data Note: LED luminous flux is from the standard product of which colour temperature is 5400 to 6500K (cool white).

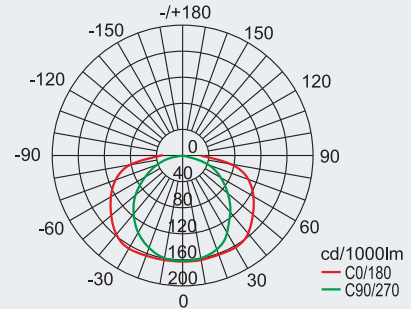
BAY51-D-18x2□(without external reflector)
 BAY51-D-14x2□(without external reflector)
 BAY51-D-LED 9x2□(without external reflector)

Rated luminous flux
 T8: 18Wx2: 2600lm
 T5: 14Wx2: 2500lm
 LED: 9Wx2: 1890lm



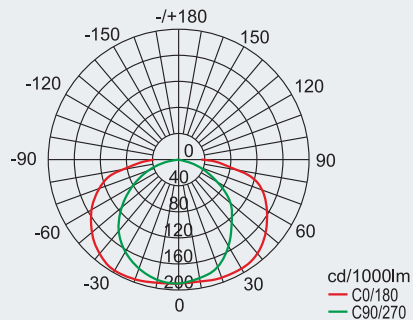
BAY51-D-18x2□(with external reflector)
 BAY51-D-14x2□(with external reflector)
 BAY51-D-LED 9x2□(with external reflector)

Rated luminous flux
 T8: 18Wx2: 2600lm
 T5: 14Wx2: 2500lm
 LED: 9Wx2: 1890lm



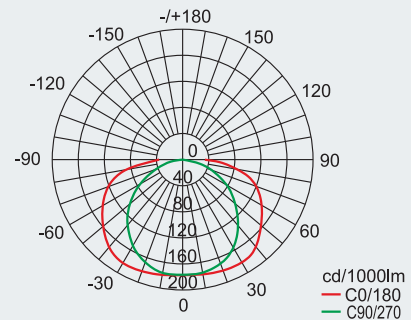
BAY51-D-36x2□(without external reflector)
 BAY51-D-28x2□(without external reflector)
 BAY51-D-LED 18x2□(without external reflector)

Rated luminous flux
 T8: 36Wx2: 6500lm
 T5: 28Wx2: 5400lm
 LED: 18Wx2: 3780lm



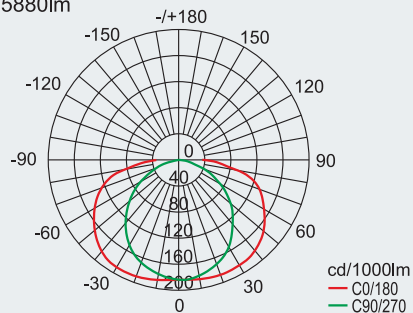
BAY51-D-36x2□(with external reflector)
 BAY51-D-28x2□(with external reflector)
 BAY51-D-LED 18x2□(with external reflector)

Rated luminous flux
 T8: 36Wx2: 6500lm
 T5: 28Wx2: 5400lm
 LED: 18Wx2: 3780lm



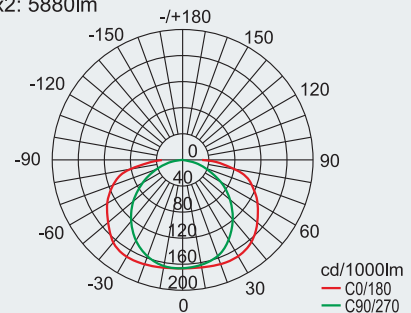
BAY51-D-58x2□(without external reflector)
 BAY51-D-35x2□(without external reflector)
 BAY51-D-LED 28x2□(without external reflector)

T8: 58Wx2: 10000lm
 T5: 35Wx2: 6800lm
 LED: 28Wx2: 5880lm



BAY51-D-58x2□(with external reflector)
 BAY51-D-35x2□(with external reflector)
 BAY51-D-LED 28x2□(with external reflector)

T8: 58Wx2: 10000lm
 T5: 35Wx2: 6800lm
 LED: 28Wx2: 5880lm



We can provide lighting design and data by professional lighting software DIALUX based upon simulated site situation on request.



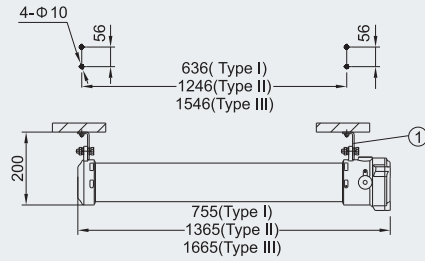
Light Fittings for Fluorescent Lamp

BAY51-D Series Explosion-proof Light Fittings for Fluorescent Lamp

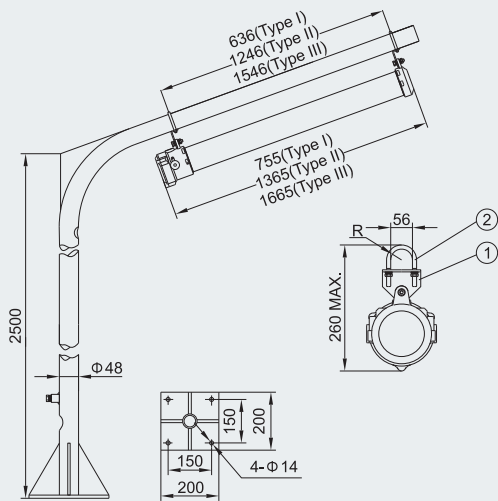
Mounting type for light fittings with dual lamp tube (all dimensions in mm) - subject to alteration

Installation reference

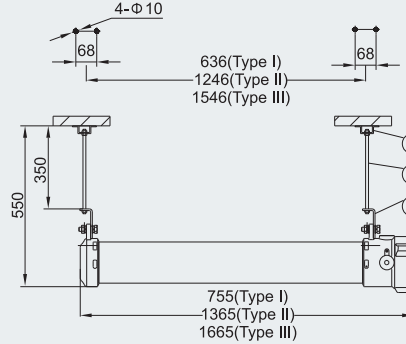
X: ceiling type



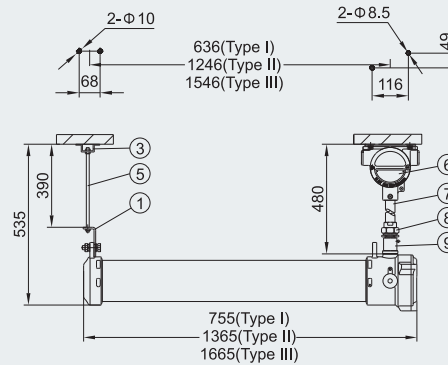
L: pole type (the pole is provided by user)



G1: pendant pole type 1



G2: pendant pole type 2



Mounting Accessories & Spare Parts Table (light fittings with dual lamp tube)

Supplied according to the mounting type

Mounting type	Accessories			Ordering code	Weight(kg)
	Name	Qty	Illustration		
X: ceiling type	① Mounting plate	2	Stainless steel	51DX01	0.25
L: pole type	① Mounting plate	2	Carbon steel	51DX01	0.25
	② U type pipe clamp	2	Carbon steel	51L01	0.15
G1: pendant pole type 1	① Mounting plate	2	Carbon steel	51DX01	0.25
	③ Mounting bracket	2	Carbon steel	51S01G1	0.04
	④ M8 screw	2	Length: 350mm	51S01G2	0.12
G2: pendant pole type 2	① Mounting plate	2	Carbon steel	51DX01	0.25
	③ Mounting bracket	1	Carbon steel	51S01G1	0.04
	⑤ M8 screw	1	Length: 390mm	51S01G3	0.15
	⑥ BHD51 Explosion-proof junction box	1	Copper-free aluminium (Ex d IIC)	BHD51-F	0.80
	⑦ Straight pipe (M25 x 1.5)	1	Length: 300mm	81G01	0.41
	⑧ BGJ-III Explosion-proof connector	1	M25x1.5(F)/M25x1.5(M) Carbon steel	81D03	0.26
	⑨ Explosion-proof connector	1	M25x1.5(F)/M25x1.5(M) Carbon steel	51G201	0.22

Note: Accessories not in the table shall be supplied by user.

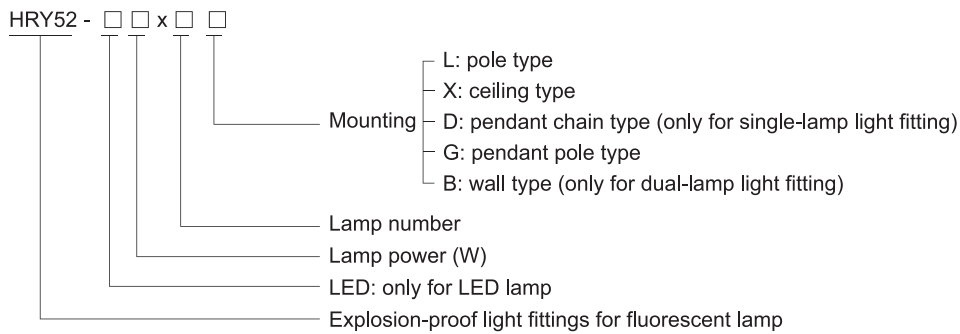
Light Fittings for Fluorescent Lamp

HRY52 Series Explosion-proof Light Fittings for Fluorescent Lamp



- ◆ Explosion Protection to
 - CENELEC
 - IEC
 - NEC
- ◆ Can be used in
 - Zone 1 and Zone 2
 - Zone 21 and Zone 22
- ◆ Available lamp and power
 - T8 Fluorescent Lamps: 18W x 1, 36W x 1, 18W x 2, 36W x 2
 - LED lamps: 9W x 1, 18W x 1, 9W x 2, 18W x 2
- ◆ T8 Fluorescent Lamps: Built-in electromagnetic ballast (Electronic ballast is optional, please specify when ordering).
- ◆ LED lamps: Built-in LED driver, wide voltage input, CC-CV (constant current - constant voltage) output, power factor ≥ 0.95 .
- ◆ Enclosure in copper-free aluminium, powder coated surface, yellow (RAL 1021).

Catalogue number logic



Selection table

Type / Ordering code	Lamp power(W)	Weight (kg)	Type / Ordering code	Lamp power(W)	Weight (kg)	Type / Ordering code	Lamp power(W)	Weight (kg)
HR Y52-18 x 1X	18 x 1	3.90	HR Y52-36 x 2X	36 x 2	12.00	HR Y52-LED 9 x 2X	9 x 2	7.80
HR Y52-18 x 1L	18 x 1	4.00	HR Y52-36 x 2L	36 x 2	11.70	HR Y52-LED 9 x 2L	9 x 2	7.50
HR Y52-18 x 1D	18 x 1	4.20	HR Y52-36 x 2G	36 x 2	12.50	HR Y52-LED 9 x 2D	9 x 2	8.10
HR Y52-18 x 1G	18 x 1	4.20	HR Y52-36 x 2B	36 x 2	12.40	HR Y52-LED 9 x 2G	9 x 2	8.70
HR Y52-36 x 1X	36 x 1	4.80	HR Y52-LED 9 x 1X	9 x 1	4.10	HR Y52-LED 18 x 2X	18 x 2	12.20
HR Y52-36 x 1L	36 x 1	5.00	HR Y52-LED 9 x 1L	9 x 1	4.20	HR Y52-LED 18 x 2L	18 x 2	11.90
HR Y52-36 x 1D	36 x 1	5.10	HR Y52-LED 9 x 1D	9 x 1	4.40	HR Y52-LED 18 x 2D	18 x 2	12.70
HR Y52-36 x 1G	36 x 1	5.10	HR Y52-LED 9 x 1G	9 x 1	4.40	HR Y52-LED 18 x 2G	18 x 2	12.60
HR Y52-18 x 2X	18 x 2	7.60	HR Y52-LED 18 x 1X	18 x 1	5.00			
HR Y52-18 x 2L	18 x 2	7.30	HR Y52-LED 18 x 1L	18 x 1	5.20			
HR Y52-18 x 2G	18 x 2	7.90	HR Y52-LED 18 x 1D	18 x 1	5.30			
HR Y52-18 x 2B	18 x 2	8.50	HR Y52-LED 18 x 1G	18 x 1	5.30			

Note: 1. Products above include all the mounting accessories listed in Mounting Accessories & Spare Parts Table (see P2/30~31).
 2. Wall type is applicable for dual-lamp light fitting only.
 3. Pendant chain type is applicable for single-lamp light fitting only.

Zones 1&2; 21&22

Light Fittings for Fluorescent Lamp

HRY52 Series Explosion-proof Light Fittings for Fluorescent Lamp

Technical data

Explosion-proof light fittings for fluorescent lamp HRY52-□□×□□

Explosion protection

Gas explosion protection
Dust explosion protection

⊕ II 2 G Ex d IIC T6 Gb
Ex tD A21 IP66 T80°C

Certificates

PCEC (China)

Conformity to standards

IEC 60079-0, IEC 60079-1, IEC 61241-0, IEC 61241-1

Material

Enclosure

Copper-free aluminium, powder coated surface, yellow (RAL1021)

Ballast

Electromagnetic ballast (Electronic ballast is optional)

Exposed fastener

Stainless steel

LED driver

Wide voltage input, CC-CV (constant current - constant voltage) output, power factor ≥ 0.95 , with function of distributed current, constant current, surge-proof and anti-electromagnetic interference, and protection against overcurrent, open circuit, and short circuit.

Lamp

Lamp specification

T8 fluorescent lamp (supplied with the light fittings)
LED module (supplied with the light fittings)

Lamp power (W)

T8: 18Wx1, 36Wx1, 18Wx2, 36Wx2
LED: 9Wx1, 18Wx1, 9Wx2, 18Wx2

Colour Temperature (CCT)

Cool white: 5400 ~ 6500K
Note: cool white is available in general. Warm white (2700~3500K) or nature white (4700~5400K) is optional, please specify when ordering.

Rated voltage

T8: 220~240V AC 50Hz (60Hz is optional) (with electromagnetic ballast)
T8: 220~240V AC 50/60Hz (with electronic ballast)
LED: 110~265V AC 50/60Hz

Earthing protection

M5 (internal & external earth bolts)

Degree of protection

IP66

Ambient temperature

-20°C~+55°C

Terminal

3 x 1.5~2.5mm² (L+N+PE)

Cable entries

1 x G3/4" (1 x M25 x 1.5 for pole type dual-lamp light fittings, M25 x 1.5 or M20 x 1.5 with connector on request)

Cable gland

See Mounting Accessories & Spare Parts Table

Available cable outer diameter

Φ 10~Φ 14 (mm)

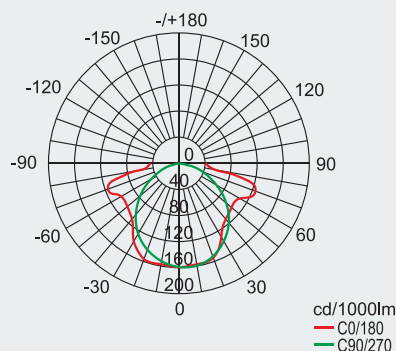


Photometric data Note: LED luminous flux is from the standard product of which colour temperature is 5400 to 6500K (cool white).

HRY52-□□x1□

Rated luminous flux

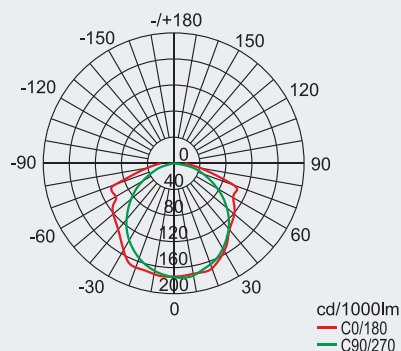
T8: 18Wx1: 1300lm
T8: 36Wx1: 3250lm
LED: 9Wx1: 945lm
LED: 18Wx1: 1890lm



HRY52-□□x2□

Rated luminous flux

T8: 18Wx2: 2600lm
T8: 36Wx2: 6500lm
LED: 9Wx2: 1890lm
LED: 18Wx2: 3780lm



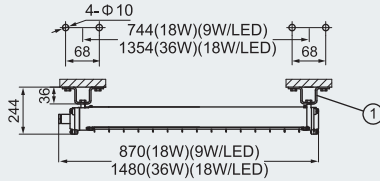
We can provide lighting design and data by professional lighting software DIALUX based upon simulated site situation on request.

Light Fittings for Fluorescent Lamp HRY52 Series Explosion-proof Light Fittings for Fluorescent Lamp

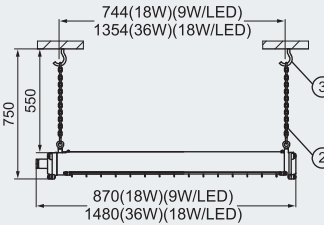
Mounting type for light fittings with single lamp tube (all dimensions in mm) - subject to alteration

Installation reference

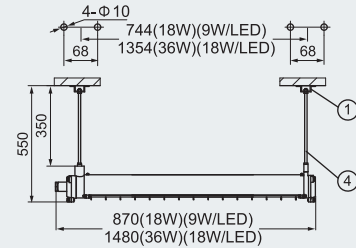
X: ceiling type



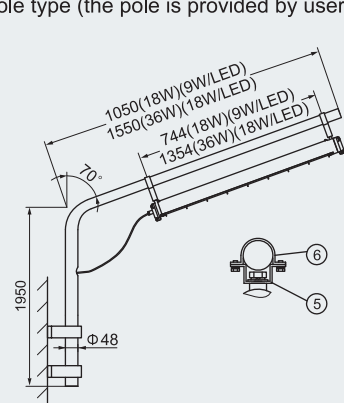
D: pendant chain type



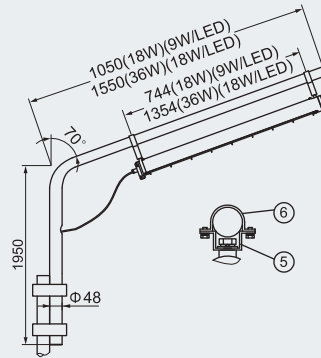
G: pendant pole type



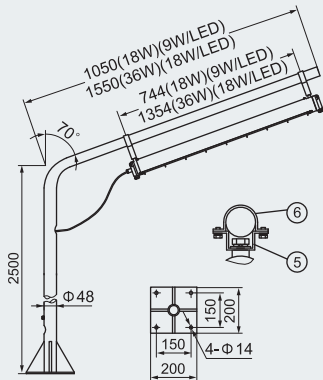
L: pole type (the pole is provided by user)



Suitable for wall pole type



Suitable for fence pole type



Suitable for ground pole type



Mounting Accessories & Spare Parts Table (light fittings with single lamp tube)

Supplied according to the mounting type

Mounting type	Accessories			Ordering code	Weight (kg)
	Name	Qty	Illustration		
X: ceiling type	①.Mounting bracket	2		51S01G1	0.04
	②.Chain	2	Length: 450mm	5136016	0.08
D: pendant chain type	③.Hook expansion bolt	2		52017	0.03
	①.Mounting bracket	2	Same as ceiling type	51S01G1	0.04
G: pendant pole type	④.M8 Screw	2	Length: 350mm	51S01G2	0.12
	⑤.Mounting bracket	2		5136012	0.04
L: pole type	⑥.G1 1/2" Pipe clamp	2		5136014	0.04

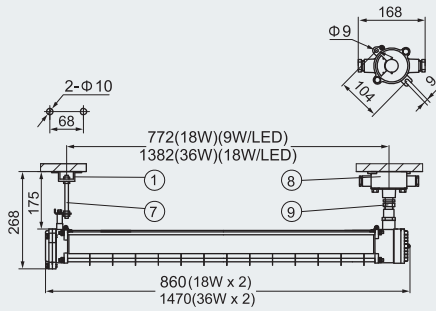
Note: Accessories not in the table shall be supplied by user.

Light Fittings for Fluorescent Lamp HR52 Series Explosion-proof Light Fittings for Fluorescent Lamp

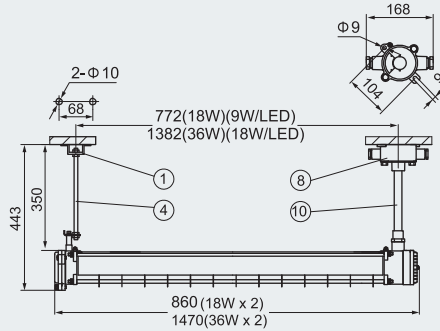
Mounting type for light fittings with dual lamp tube (all dimensions in mm) - subject to alteration

Installation reference

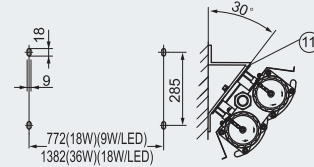
X: ceiling type



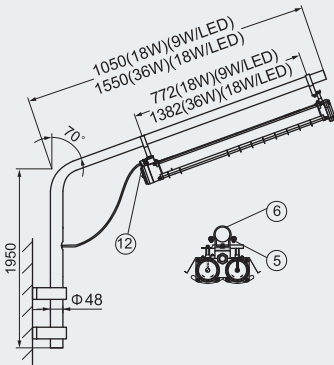
G: pendant pole type



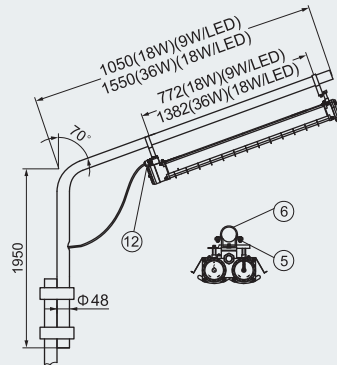
B: wall type



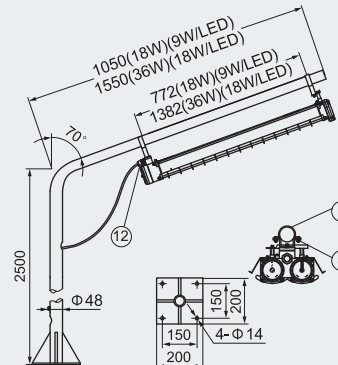
L: pole type (the pole is provided by user)



Suitable for wall pole type



Suitable for fence pole type



Suitable for ground pole type

Mounting Accessories & Spare Parts Table (light fittings with dual lamp tube)

Supplied according to the mounting type

Mounting type	Accessories			Ordering code	Weight (kg)
	Name	Qty	Illustration		
X: ceiling type	①.Mounting bracket	1	Same as light fittings with single lamp	51S01G1	0.04
	⑦.M8 Screw	1	Length:150mm	52D01X1	0.08
	⑧.BHD51 Explosion-proof junction box	1	G3/4"(Ex e)	52D01X2	0.40
	⑨.BGJ-III Explosion-proof connector	1	G3/4"(M)/G3/4"(M)	See P7/8	0.28
G: pendant pole type	①.Mounting bracket	1	Same as light fittings with single lamp	51S01G1	0.04
	④.M8 Screw	1	Length: 350mm	51S01G2	0.12
	⑧.BHD51 Explosion-proof junction box	1	G3/4"(Ex e)	52D01X2	0.40
	⑩.Straight pipe (G3/4")	1	Length: 250mm	52D01G1	0.34
B: wall type	⑪.Wall bracket	2	Welded sheet steel	5236B01	0.60
L: pole type	⑤.Mounting bracket	2	Same as light fittings with single lamp	5136012	0.04
	⑥.G1 1/2"Pipe clamp	2	Same as light fittings with single lamp	5136014	0.04
	⑫.DQM-II Explosion-proof cable gland	1	M25 x 1.5	See P7/20	0.25

Note: Accessories not in the table shall be supplied by user.



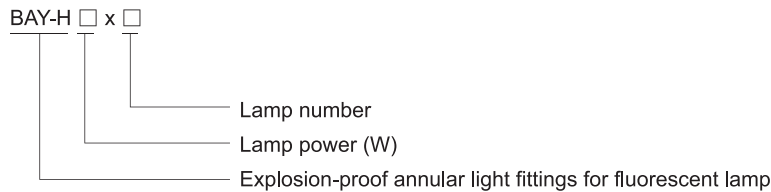
Light Fittings for Fluorescent Lamp

BAY-H Series Explosion-proof Annular Light Fittings for Fluorescent Lamp



- ◆ Explosion protection to
 - CENELEC
 - IEC
 - NEC
- ◆ Can be used in
 - Zone 1 and Zone 2
 - Zone 21 and Zone 22
 - Class I, Zone 1 and Zone 2
 - Class I, Division 1, Groups C, D
- ◆ Power: 21W x 1, 21W x 2.
- ◆ Enclosure in copper-free aluminium, powder coated surface, yellow (RAL1021).
- ◆ Powder coated wire guard, white.
- ◆ Toughened glass cover resistant to temperature changes.

Catalogue number logic



Selection table

Type / Ordering code	Lamp power(W)	Weight(kg)	Type / Ordering code	Lamp power(W)	Weight(kg)
BAY-H21 x 1	21 x 1	5.00	BAY-H21 x 2	21 x 2	5.60

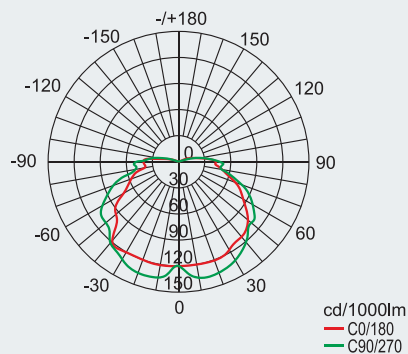
Note: The light fittings are supplied with lamps.



Photometric data

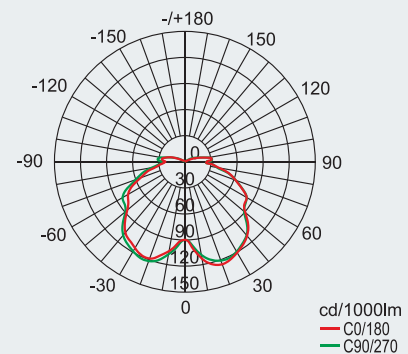
BAY-H 21x1

Rated luminous flux
21Wx1: 1000lm



BAY-H 21x2

Rated luminous flux
21Wx2: 2000lm



We can provide lighting design and data by professional lighting software DIALUX based upon simulated site situation on request.

Zones 1&2; 21&22

Light Fittings for Fluorescent Lamp

BAY-H Series Explosion-proof Annular Light Fittings for Fluorescent Lamp

Technical data

Explosion-proof annular light fittings for fluorescent lamp BAY-H□ × □

Explosion protection

Gas explosion protection

⊕ II 2 G Ex d IIB T5

Dust explosion protection

Ex tD A21 IP65 T95°C

Certificates

LCIE 07 ATEX 6087; IECEX CQM 08.0003

Conformity to standards

EN 60079-0, EN 60079-1

IEC 60079-0, IEC 60079-1, IEC 60241-0, IEC 60241-1

Material

Enclosure

Copper-free aluminium, powder coated surface, yellow (RAL1021)

Wire guard

Powder coated carbon steel (white)

Transparent cover

Toughened glass, stands 4J impact

Ballast

Electronic ballast, power factor ≥ 0.95

Reflector (internal)

High-purity aluminium

Exposed fastener

Stainless steel

Lamp

Lamp specification

Biax 2D-4pin (GE Brand)

Lamp power (W)

21W x 1, 21W x 2

Lamp holder

GR-10q

Rated voltage

220~240V AC 50/60Hz

Earthing protection

M5 (internal & external earth bolts)

Degree of protection

IP65

Ambient temperature

-20°C~+55°C

Terminal

3 x 1.5~2.5mm² (L+N+PE)

Cable entries

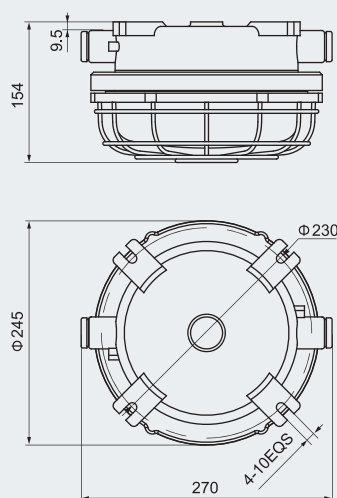
2 x M25x1.5 plugs

Cable gland(optional)

DQM-II (Ex d) or DQM-III (Ex d) is recommended. Please see P7/20~27



Dimension drawings (all dimensions in mm) - subject to alteration



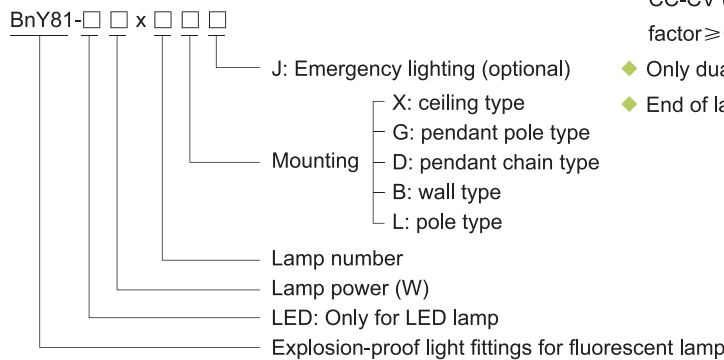
Light Fittings for Fluorescent Lamp

BnY81 Series Explosion-proof Light Fittings for Fluorescent Lamp

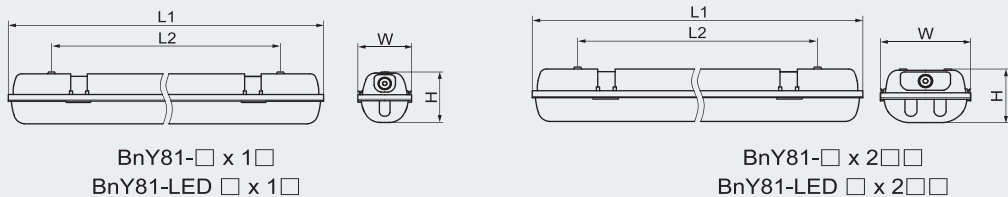


- ◆ Explosion protection to
 - CENELEC
 - IEC
 - NEC
- ◆ Can be used in
 - Zone 2
 - Zone 21 and Zone 22
 - Class I, Zone 2
 - Class I, Division 2, Groups A, B, C, D
- ◆ Six enclosure types:
 - Single tube: three enclosure types
 - Dual tube: three enclosure types
- ◆ Applicable lamp power:
 - Fluorescent lamps: 18W x 1, 36W x 1, 58W x 1
18W x 2, 36W x 2, 58W x 2
 - LED lamps: 9W (10W) x 1, 18W(19W) x 1, 28W(25W) x 1
9W(10W) x 2, 18W(19W) x 2, 28W(25W) x 2
- ◆ Built-in electronic ballast, wide voltage input, rapid starting, stable performance, power factor ≥ 0.95 .
- ◆ LED light fittings: Built-in LED driver, wide voltage input, CC-CV (constant current - constant voltage) output, power factor ≥ 0.95 .
- ◆ Only dual tube light fittings have emergency lighting function.
- ◆ End of lamp life (EOL) rectification effect protection.

Catalogue number logic



Dimension drawings (all dimensions in mm) - subject to alteration



Dimensions

Type	Size (mm)				Type	Size (mm)			
	L1	L2	W	H		L1	L2	W	H
BnY81-18x1□, BnY81-LED 9x1□	710	500	116	105	BnY81-18x2□□, BnY81-LED 9x2□□	710	500	192	105
BnY81-36x1□, BnY81-LED 18x1□	1310	800	116	105	BnY81-36x2□□, BnY81-LED 18x2□□	1310	800	192	105
BnY81-58x1□, BnY81-LED 28x1□	1568	1200	100	101	BnY81-58x2□□, BnY81-LED 28x2□□	1568	1200	168	101

Zones 2; 21&22

Light Fittings for Fluorescent Lamp

BnY81 Series Explosion-proof Light Fittings for Fluorescent Lamp

Technical data

Explosion-proof light fittings for fluorescent lamp BnY81-□ × □□□

Explosion protection	<p>Gas explosion protection</p> <p>Dust explosion protection</p>	<p>⊕ II 3 G Ex nA IIC T4 Gc</p> <p>⊕ II 2 D Ex t III C T80°C Db IP66</p>						
Certificates		LCIE 12 ATEX 1009X (gas); LCIE 12 ATEX 3019X (dust); IECEx CQM 12.0046X CU-TR						
Conformity to standards		EN 60079-0, EN 60079-15, EN 60079-31 IEC 60079-0, IEC 60079-15, IEC 60079-31						
Material								
Enclosure		Polycarbonate, stands 7J impact, corrosion-proof						
Diffuser		Polycarbonate, 90% light transmission, stands 7J impact, corrosion-proof						
Ballast		Electronic ballast						
Exposed fastener		Stainless steel						
Lamp								
Lamp specification		T8 tube (supplied with the light fittings)						
Lamp power (W)		<table border="1"> <tr> <td>18W × 1</td> <td>18W × 2</td> </tr> <tr> <td>36W × 1</td> <td>36W × 2</td> </tr> <tr> <td>58W × 1</td> <td>58W × 2</td> </tr> </table>	18W × 1	18W × 2	36W × 1	36W × 2	58W × 1	58W × 2
18W × 1	18W × 2							
36W × 1	36W × 2							
58W × 1	58W × 2							
Rated voltage		100~300V AC 50/60Hz						
Degree of protection		IP66, IP67(optional)						
Ambient temperature		-20°C~+55°C						
Terminal		3 x 1.5~4mm ² (L+N+PE)						
Mounting		Ceiling type, pendant pole type, pendant chain type, wall type, pole type						
Cable entries		18W, 36W: 4 x Φ26: 2 x M25 x 1.5 cable glands (DQM-I Ex e, plastic), 2 x M25 x 1.5 plugs. 58W: 2 x Φ21: 2 x M20 x 1.5 cable glands (DQM-I Ex e, plastic)						
Available cable outer diameter		18W, 36W: Φ9~Φ16 (mm); 58W: Φ6~Φ12 (mm)						
Emergency data								
Emergency unit		Special emergency controller and Ni-MH battery pile, with protection against overcharge and overdischarge						
Emergency power (W)		18W x 1, 36W x 1, 58W x 1						
Emergency starting time		0.3s						
Charging time		24h						
Emergency lighting time		120min (180min is optional)						

Selection table

Type / Ordering code	Lamp power(W)	Weight (kg)	Type / Ordering code	Lamp power(W)	Weight (kg)	Type / Ordering code	Lamp power(W)	Weight (kg)
BnY81-18 x 1X	18 x 1	1.90	BnY81-36 x 1X	36 x 1	3.10	BnY81-58 x 1X	58 x 1	2.90
BnY81-18 x 1G	18 x 1	2.10	BnY81-36 x 1G	36 x 1	3.30	BnY81-58 x 1G	58 x 1	3.10
BnY81-18 x 1D	18 x 1	2.25	BnY81-36 x 1D	36 x 1	3.45	BnY81-58 x 1D	58 x 1	3.30
BnY81-18 x 1B	18 x 1	2.25	BnY81-36 x 1B	36 x 1	3.45	BnY81-58 x 1B	58 x 1	3.30
BnY81-18 x 1L	18 x 1	1.95	BnY81-36 x 1L	36 x 1	3.15	BnY81-58 x 1L	58 x 1	3.00
BnY81-18 x 2X	18 x 2	2.40	BnY81-36 x 2X	36 x 2	3.80	BnY81-58 x 2X	58 x 2	4.00
BnY81-18 x 2G	18 x 2	2.60	BnY81-36 x 2G	36 x 2	4.00	BnY81-58 x 2G	58 x 2	4.20
BnY81-18 x 2D	18 x 2	2.75	BnY81-36 x 2D	36 x 2	4.15	BnY81-58 x 2D	58 x 2	4.35
BnY81-18 x 2B	18 x 2	2.75	BnY81-36 x 2B	36 x 2	4.15	BnY81-58 x 2B	58 x 2	4.40
BnY81-18 x 2L	18 x 2	2.45	BnY81-36 x 2L	36 x 2	3.85	BnY81-58 x 2L	58 x 2	4.05
BnY81-18 x 2XJ	18 x 2	2.45	BnY81-36 x 2XJ	36 x 2	4.80	BnY81-58 x 2XJ	58 x 2	5.05
BnY81-18 x 2GJ	18 x 2	3.65	BnY81-36 x 2GJ	36 x 2	5.05	BnY81-58 x 2GJ	58 x 2	5.25
BnY81-18 x 2DJ	18 x 2	3.90	BnY81-36 x 2DJ	36 x 2	5.15	BnY81-58 x 2DJ	58 x 2	5.40
BnY81-18 x 2BJ	18 x 2	3.95	BnY81-36 x 2BJ	36 x 2	5.15	BnY81-58 x 2BJ	58 x 2	5.45
BnY81-18 x 2LJ	18 x 2	3.60	BnY81-36 x 2LJ	36 x 2	4.90	BnY81-58 x 2LJ	58 x 2	5.10

Note: 1. Products above include all the mounting accessories listed in Mounting Accessories & Spare Parts Table (see P2/39).

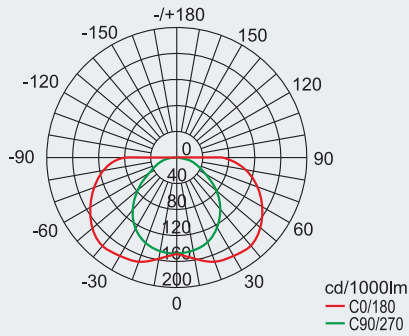


Light Fittings for Fluorescent Lamp BnY81 Series Explosion-proof Light Fittings for Fluorescent Lamp

Photometric data

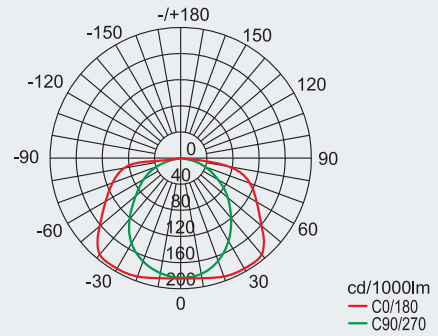
BnY81-18x1□

Rated luminous flux
18Wx1: 1300lm



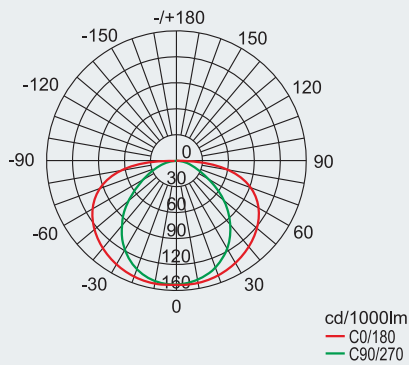
BnY81-18x2□□

Rated luminous flux
18Wx2: 2600lm



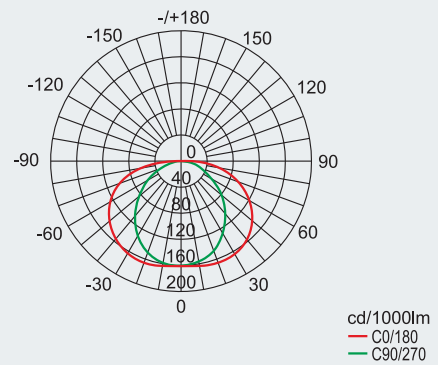
BnY81-36x1□

Rated luminous flux
36Wx1: 3250lm



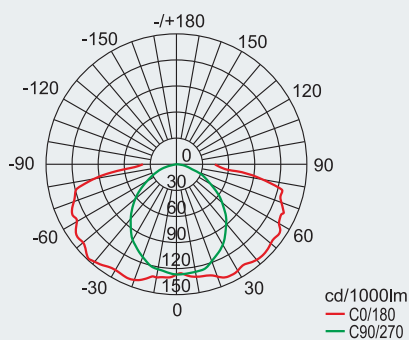
BnY81-36x2□□

Rated luminous flux
36Wx2: 6500lm



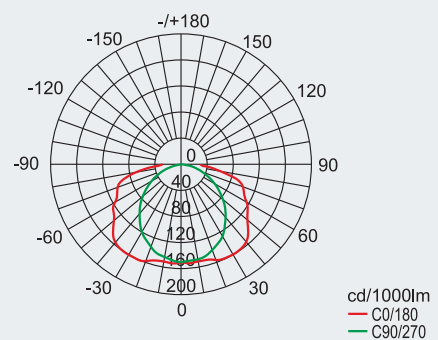
BnY81-58x1□

Rated luminous flux
58Wx1: 5000lm



BnY81-58x2□□

Rated luminous flux
58Wx2: 10000lm



We can provide lighting design and data by professional lighting software DIALUX based upon simulated site situation on request.



Light Fittings for Fluorescent Lamp

BnY81 Series Explosion-proof Light Fittings for Fluorescent Lamp

Technical data									
Explosion-proof light fittings for fluorescent lamp BnY81-LED □ × □ □ □									
Explosion protection	Gas explosion protection Ex II 3 G Ex nA IIC T4 Gc Dust explosion protection Ex II 2 D Ex t IIIIC T80°C Db IP66								
Certificates	LCIE 12 ATEX 1009X (gas); LCIE 12 ATEX 3019X (dust); IECEx CQM 12.0046X CU-TR								
Conformity to standards	EN 60079-0, EN 60079-15, EN 60079-31 IEC 60079-0, IEC 60079-15, IEC 60079-31								
Material	Enclosure Polycarbonate, stands 7J impact, corrosion-proof Diffuser Polycarbonate, 90% light transmission, stands 7J impact, corrosion-proof Exposed fastener Stainless steel LED driver Wide voltage input, CC-CV (constant current - constant voltage) output, power factor ≥ 0.95 , with function of distributed current, constant current, surge-proof and anti-electromagnetic interference, and protection against overcurrent, open circuit, and short circuit.								
Lamp	Lamp specification LED module (supplied with the light fittings) Lamp power (W) 9W(10W)×1, 9W(10W)×2, 18W(19W)×1, 18W(19W)×2, 28W(25W)×1, 28W(25W)×2 Colour Temperature (CCT) Cool white: 5400~6500K Note: cool white is available in general. Warm white (2700~3500K) or nature white (4700~5400K) is optional, please specify when ordering.								
Rated voltage	110~265V AC 50/60Hz								
Degree of protection	IP66, IP67(optional)								
Ambient temperature	-20°C~+55°C								
Terminal	3 x 1.5~4mm ² (L+N+PE)								
Mounting	Ceiling type, pendant pole type, pendant chain type, wall type, pole type								
Cable entries	LED 9W, 18W: 4 x $\Phi 26$: 2 x M25 x 1.5 cable glands (DQM-I Ex e, plastic), 2 x M25 x 1.5 plugs. LED 28W: 2 x $\Phi 21$: 2 x M20 x 1.5 cable glands (DQM-I Ex e, plastic)								
Available cable outer diameter	LED 9W, 18W: $\Phi 9 \sim \Phi 16$ (mm); LED 28W: $\Phi 6 \sim \Phi 12$ (mm)								
Emergency data	Emergency unit Special emergency controller and Ni-MH battery pile, with protection against overcharge and overdischarge Emergency power (W) 9W x 1, 18W x 1, 28W x 1 Emergency starting time 0.3s Charging time 24h Emergency lighting time 120min (180min is optional)								
Selection table									
Type / Ordering code	Lamp power(W)	Weight (kg)	Type / Ordering code	Lamp power(W)	Weight (kg)	Type / Ordering code	Lamp power(W)	Weight (kg)	
BnY81-LED 9 x 1X	9 x 1	1.70	BnY81-LED 18 x 1X	18 x 1	3.10	BnY81-LED 28 x 1X	28 x 1	2.85	
BnY81-LED 9 x 1G	9 x 1	1.90	BnY81-LED 18 x 1G	18 x 1	3.30	BnY81-LED 28 x 1G	28 x 1	3.05	
BnY81-LED 9 x 1D	9 x 1	2.05	BnY81-LED 18 x 1D	18 x 1	3.45	BnY81-LED 28 x 1D	28 x 1	3.25	
BnY81-LED 9 x 1B	9 x 1	2.05	BnY81-LED 18 x 1B	18 x 1	3.45	BnY81-LED 28 x 1B	28 x 1	3.25	
BnY81-LED 9 x 1L	9 x 1	1.75	BnY81-LED 18 x 1L	18 x 1	3.15	BnY81-LED 28 x 1L	28 x 1	2.95	
BnY81-LED 9 x 2X	9 x 2	2.10	BnY81-LED 18 x 2X	18 x 2	3.50	BnY81-LED 28 x 2X	28 x 2	3.90	
BnY81-LED 9 x 2G	9 x 2	2.30	BnY81-LED 18 x 2G	18 x 2	3.70	BnY81-LED 28 x 2G	28 x 2	4.10	
BnY81-LED 9 x 2D	9 x 2	2.45	BnY81-LED 18 x 2D	18 x 2	3.85	BnY81-LED 28 x 2D	28 x 2	4.25	
BnY81-LED 9 x 2B	9 x 2	2.45	BnY81-LED 18 x 2B	18 x 2	3.85	BnY81-LED 28 x 2B	28 x 2	4.30	
BnY81-LED 9 x 2L	9 x 2	2.15	BnY81-LED 18 x 2L	18 x 2	3.55	BnY81-LED 28 x 2L	28 x 2	3.95	
BnY81-LED 9 x 2XJ	9 x 2	2.60	BnY81-LED 18 x 2XJ	18 x 2	4.00	BnY81-LED 28 x 2XJ	28 x 2	4.40	
BnY81-LED 9 x 2GJ	9 x 2	2.80	BnY81-LED 18 x 2GJ	18 x 2	4.20	BnY81-LED 28 x 2GJ	28 x 2	4.60	
BnY81-LED 9 x 2DJ	9 x 2	2.95	BnY81-LED 18 x 2DJ	18 x 2	4.35	BnY81-LED 28 x 2DJ	28 x 2	4.75	
BnY81-LED 9 x 2BJ	9 x 2	2.95	BnY81-LED 18 x 2BJ	18 x 2	4.35	BnY81-LED 28 x 2BJ	28 x 2	4.80	
BnY81-LED 9 x 2LJ	9 x 2	2.65	BnY81-LED 18 x 2LJ	18 x 2	3.95	BnY81-LED 28 x 2LJ	28 x 2	4.45	
Note: 1. Products above include all the mounting accessories listed in Mounting Accessories & Spare Parts Table (see P2/39).									

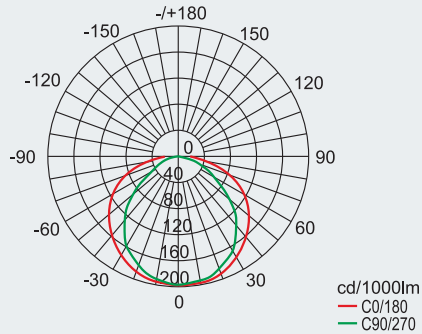


Light Fittings for Fluorescent Lamp BnY81 Series Explosion-proof Light Fittings for Fluorescent Lamp

Photometric data Note: LED luminous flux is from the standard product of which colour temperature is 5400 to 6500K (cool white).

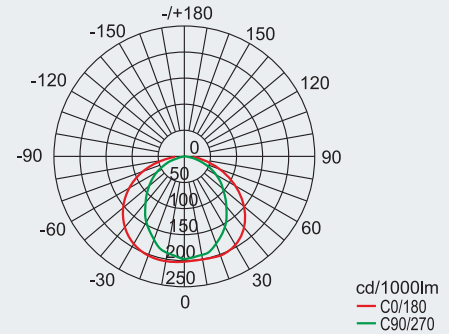
BnY81-LED 9x1□

Rated luminous flux
LED 9Wx1: 945lm



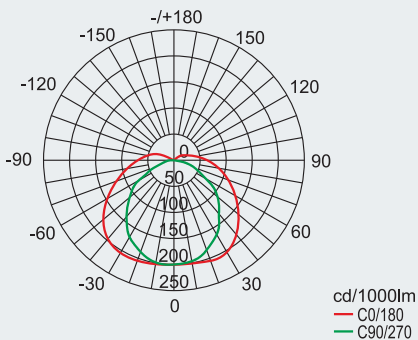
BnY81-LED 9x2□

Rated luminous flux
LED 9Wx2: 1890lm



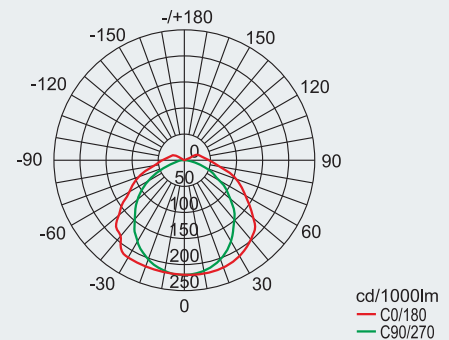
BnY81-LED 18x1□

Rated luminous flux
LED 18Wx1: 1890lm



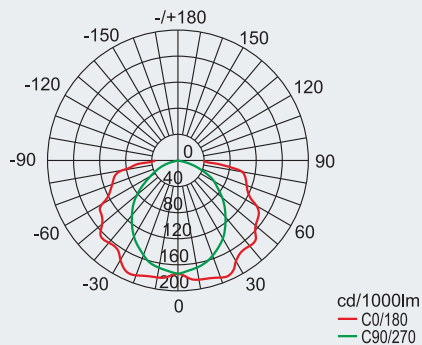
BnY81-LED 18x2□

Rated luminous flux
LED 18Wx2: 3780lm



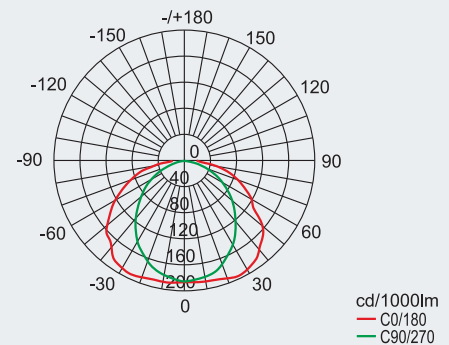
BnY81-LED 28x1□

Rated luminous flux
LED 28Wx1: 2940lm



BnY81-LED 28x2□

Rated luminous flux
LED 28Wx2: 5880lm



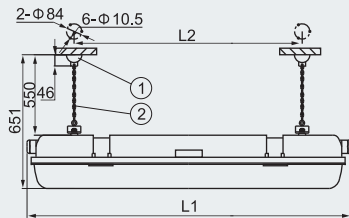
We can provide lighting design and data by professional lighting software DIALUX based upon simulated site situation on request.

Light Fittings for Fluorescent Lamp BnY81 Series Explosion-proof Light Fittings for Fluorescent Lamp

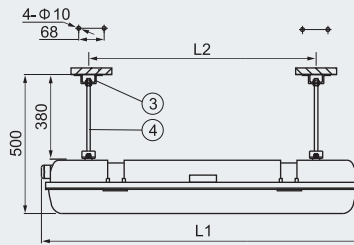
Mounting type (all dimensions in mm) - subject to alteration

Installation reference

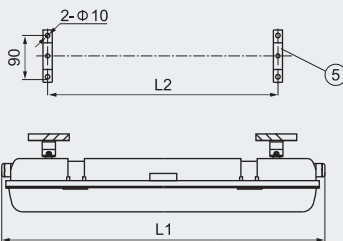
D: pendant chain type



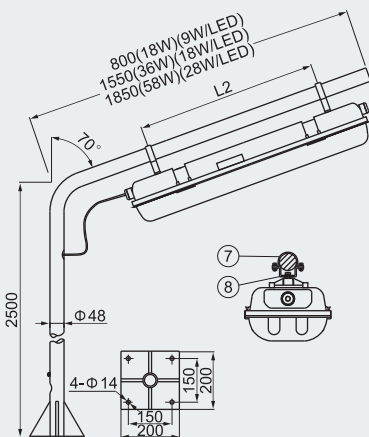
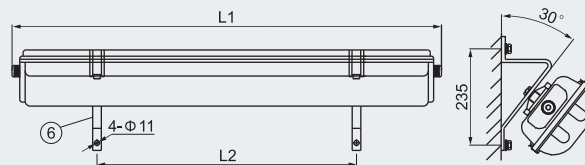
G: pendant pole type



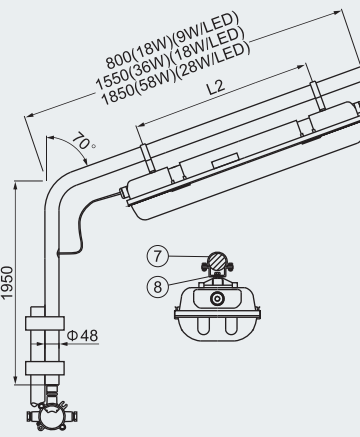
X: ceiling type



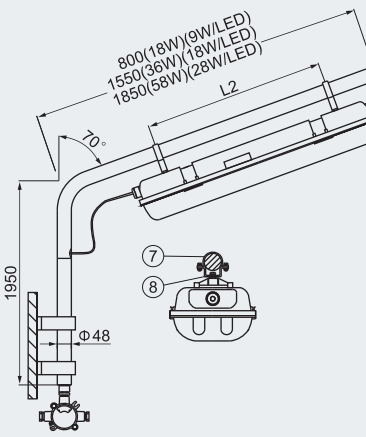
B: wall type



Suitable for ground pole type



Suitable for fence pole type



Suitable for wall pole type



Mounting Accessories & Spare Parts Table

Supplied according to the mounting type

Mounting type	Accessories			Ordering code	Weight (kg)
	Name	Qty	Illustration		
D: pendant chain type	①.Sucker	2	See P2/8	5136017	0.15
	②.Chain	2	Length: 450mm	5136016	0.08
G: pendant pole type	③.Mounting bracket	2	See P2/8	51S01G1	0.04
	④.M8 Screw	2	Length: 350mm	51S01G2	0.12
X: ceiling type	⑤.Mounting bracket	2	See P2/9	5136030	0.07
B: wall type	⑥.Wall bracket	2	Welded sheet steel	5236B02	0.25
L: pole type	⑦.G1 1/2" Pipe clamp	2	See P2/9	5136014	0.04
	⑧.Mounting bracket	2	See P2/9	5136012	0.04

Note: Accessories not in the table shall be supplied by user.

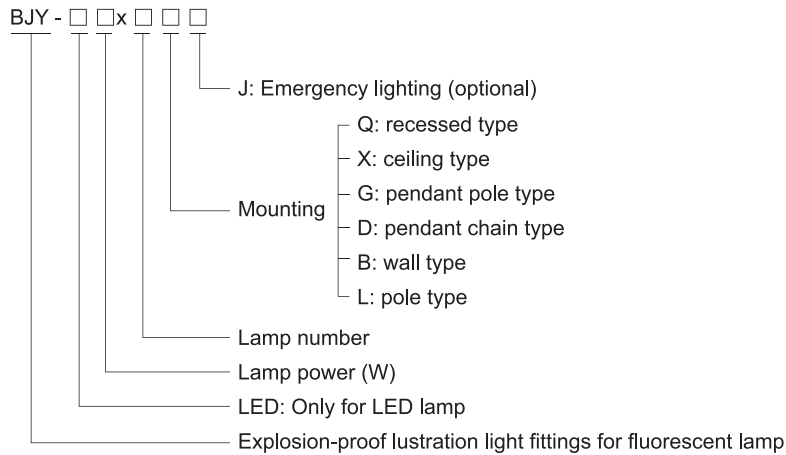
Light Fittings for Fluorescent Lamp

BJY Series Explosion-proof Lustration Light Fittings for Fluorescent Lamp



- ◆ Explosion protection to
 - CENELEC
 - IEC
 - NEC
- ◆ Can be used in
 - Zone 1 and Zone 2
 - Zone 21 and Zone 22
 - Class I, Zone 1 and Zone 2
 - Class I, Division 2, Groups A, B, C, D
- ◆ Two protection type: "Ex e q" and "Ex nA"; Two enclosure types for "Ex e q", six enclosure types for "Ex nA".
- ◆ No "Ex e q" protection for LED light fittings
- ◆ Toughened glass transparent cover, high light transmittance, resistance to high energy impact and thermal fusion.
- ◆ Enclosure is formed of stainless steel.
- ◆ Built-in electronic ballast, power factor ≥ 0.95 .
- ◆ LED driver, wide voltage input, CC-CV (constant current - constant voltage) output, power factor ≥ 0.95 .
- ◆ End of lamp life (EOL) rectification effect protection.
- ◆ Emergency functions is available on request.

■ Catalogue number logic



Zones 1&2; 21&22

Light Fittings for Fluorescent Lamp

BJY Series Explosion-proof Lustration Light Fittings for Fluorescent Lamp

Technical data

Explosion-proof lustration light fittings for fluorescent lamp BJY-□□ × □□□

Explosion protection

Gas explosion protection

⊕ II 3 G Ex nA IIC T4 Gc ⊕ II 2 G Ex e q IIC T4 Gb

Dust explosion protection

⊕ II 2 D Ex tb IIIC T80°C Db IP66

Certificates

ATEX and IECEx (applied for); PCEC (China)

Conformity to standards

EN 60079-0, EN 60079-5, EN 60079-7, EN 60079-15, EN 60079-31
IEC 60079-0, IEC 60079-5, IEC 60079-7, IEC 60079-15, IEC 60079-31

Material

Enclosure

Stainless steel

Glass cover

Toughened glass, stands 4J impact

Ballast

Electronic ballast, power factor ≥ 0.95

LED driver

Wide voltage input, CC-CV (constant current - constant voltage) output, power factor ≥ 0.95

Exposed fastener

Stainless steel

Lamp

Available lamp and power
(the lamp tube is supplied with light fittings)

Lamp	"Ex e q" type	"Ex nA" type
T8 fluorescent lamp	18W×1, 36W×1 18W×2, 36W×2	18W×1, 36W×1, 58W×1 18W×2, 36W×2, 58W×2
LED lamp	—	9W×1, 18W×1, 28W×1 9W×2, 18W×2, 28W×2

Colour Temperature (CCT)

Cool white: 5400~6500K

Note: cool white is available in general. Warm white (2700~3500K) or nature white (4700~5400K) is optional, please specify when ordering.

Rated voltage

"Ex e q" type

96-254V AC 50/60Hz

"Ex nA" type

T8: 100~300V AC 50/60Hz; LED: 110~265V AC 50/60Hz

Degree of protection

IP66

Ambient temperature

-40°C~+55°C

Terminal

3 x 1.5~4mm² (L+N+PE)

Cable entries

2 x Φ 21: 2 x M20 x 1.5 cable glands (DQM-I Ex e, plastic)

Available cable outer diameter

Φ 6~Φ 12 (mm)

Emergency data

Emergency unit

Special emergency controller and Ni-MH battery pile, with protection against over-charge and overdischarge

Emergency power (W)

T8: 18W x 1, 36W x 1, 58W x 1; LED: 9W x 1, 18W x 1, 28W x 1

Emergency starting time

0.3s

Charging time

24h

Emergency lighting time

120min (180min is optional)



Photometric data Note: LED luminous flux is from the standard product of which colour temperature is 5400 to 6500K (cool white).

BJY-□□ × 1□□

Rated luminous flux

T8: 18Wx1: 1300lm

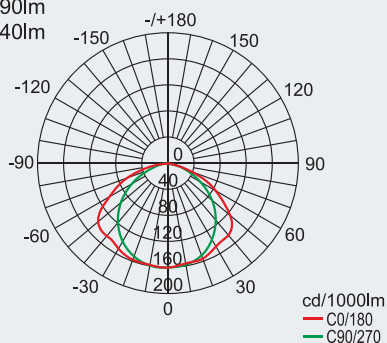
T8: 36Wx1: 3250lm

T8: 58Wx1: 5000lm

LED: 9Wx1: 945lm

LED: 18Wx1: 1890lm

LED: 28Wx1: 2940lm



BJY-□□ × 2□□

Rated luminous flux

T8: 18Wx2: 2600lm

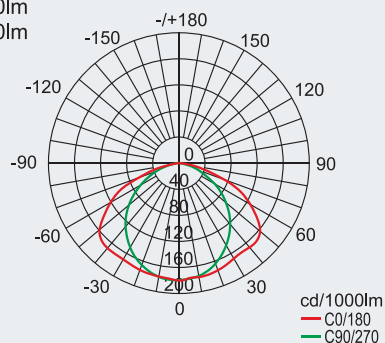
T8: 36Wx2: 6500lm

T8: 58Wx2: 10000lm

LED: 9Wx2: 1890lm

LED: 18Wx2: 3780lm

LED: 28Wx2: 5880lm



We can provide lighting design and data by professional lighting software DIALUX based upon simulated site situation on request.

Light Fittings for Fluorescent Lamp

BJY Series Explosion-proof Lustration Light Fittings for Fluorescent Lamp

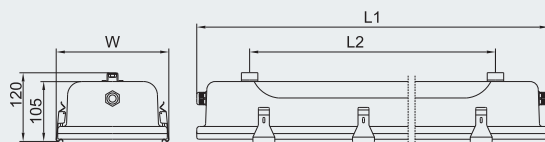
Selection table

Type / Ordering code	Lamp power(W)	Weight(kg)		Type / Ordering code	Lamp power(W)	Weight(kg)		Type / Ordering code	Lamp power(W)	Weight(kg)	
		"Ex e q" type	"Ex nA" type			"Ex e q" type	"Ex nA" type			"Ex e q" type	"Ex nA" type
BJY-18 x 1X	18x1	5.30	3.25	BJY-36 x 1X	36x1	8.60	5.70	BJY-58 x 1X	58x1	-	6.95
BJY-18 x 1G	18x1	5.50	3.45	BJY-36 x 1G	36x1	8.75	5.85	BJY-58 x 1G	58x1	-	7.15
BJY-18 x 1D	18x1	5.60	3.60	BJY-36 x 1D	36x1	8.90	6.00	BJY-58 x 1D	58x1	-	7.30
BJY-18 x 1B	18x1	5.65	3.60	BJY-36 x 1B	36x1	8.95	6.05	BJY-58 x 1B	58x1	-	7.35
BJY-18 x 1L	18x1	5.30	3.30	BJY-36 x 1L	36x1	9.65	5.70	BJY-58 x 1L	58x1	-	6.95
BJY-18 x 1Q	18x1	5.30	3.25	BJY-36 x 1Q	36x1	8.60	5.70	BJY-58 x 1Q	58x1	-	6.95
BJY-18 x 2X	18x2	5.40	4.40	BJY-36 x 2X	36x2	8.75	7.55	BJY-58 x 2X	58x2	-	9.15
BJY-18 x 2G	18x2	5.60	4.60	BJY-36 x 2G	36x2	8.90	7.70	BJY-58 x 2G	58x2	-	9.35
BJY-18 x 2D	18x2	5.70	4.70	BJY-36 x 2D	36x2	9.05	7.85	BJY-58 x 2D	58x2	-	9.50
BJY-18 x 2B	18x2	5.75	4.75	BJY-36 x 2B	36x2	9.10	7.90	BJY-58 x 2B	58x2	-	9.50
BJY-18 x 2L	18x2	5.40	4.40	BJY-36 x 2L	36x2	8.80	7.60	BJY-58 x 2L	58x2	-	9.20
BJY-18 x 2Q	18x2	5.40	4.40	BJY-36 x 2Q	36x2	8.75	7.55	BJY-58 x 2Q	58x2	-	9.15
BJY-LED 9 x 1X	9x1	-	3.15	BJY-LED 18 x 1X	18x1	-	5.60	BJY-LED 28 x 1X	28x1	-	6.85
BJY-LED 9 x 1G	9x1	-	3.35	BJY-LED 18 x 1G	18x1	-	5.75	BJY-LED 28 x 1G	28x1	-	7.05
BJY-LED 9 x 1D	9x1	-	3.50	BJY-LED 18 x 1D	18x1	-	5.90	BJY-LED 28 x 1D	28x1	-	7.20
BJY-LED 9 x 1B	9x1	-	3.50	BJY-LED 18 x 1B	18x1	-	5.95	BJY-LED 28 x 1B	28x1	-	7.25
BJY-LED 9 x 1L	9x1	-	3.20	BJY-LED 18 x 1L	18x1	-	5.60	BJY-LED 28 x 1L	28x1	-	6.90
BJY-LED 9 x 1Q	9x1	-	3.15	BJY-LED 18 x 1Q	18x1	-	5.60	BJY-LED 28 x 1Q	28x1	-	6.85
BJY-LED 9 x 2X	9x2	-	4.30	BJY-LED 18 x 2X	18x2	-	7.45	BJY-LED 28 x 2X	28x2	-	9.05
BJY-LED 9 x 2G	9x2	-	4.45	BJY-LED 18 x 2G	18x2	-	7.65	BJY-LED 28 x 2G	28x2	-	9.25
BJY-LED 9 x 2D	9x2	-	4.60	BJY-LED 18 x 2D	18x2	-	7.76	BJY-LED 28 x 2D	28x2	-	9.40
BJY-LED 9 x 2B	9x2	-	4.65	BJY-LED 18 x 2B	18x2	-	7.80	BJY-LED 28 x 2B	28x2	-	9.40
BJY-LED 9 x 2L	9x2	-	4.30	BJY-LED 18 x 2L	18x2	-	7.50	BJY-LED 28 x 2L	28x2	-	9.05
BJY-LED 9 x 2Q	9x2	-	4.40	BJY-LED 18 x 2Q	18x2	-	7.45	BJY-LED 28 x 2Q	28x2	-	9.05

Note: 1. Products above include all the mounting accessories listed in Mounting Accessories & Spare Parts Table (see P2/43).

Dimension drawings (all dimensions in mm) - subject to alteration

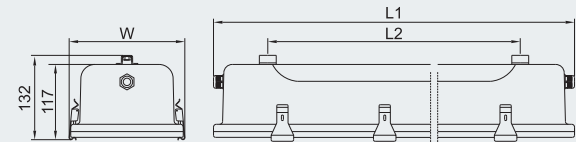
"Ex nA" type



BJY-□x1□, BGY-LED□x1□
BJY-□x2□, BGY-LED□x2□

Type / Ordering code	L1	L2	W
BJY-18x1□, BGY-LED 9x1□	726	482	140
BJY-18x2□, BGY-LED 9x2□	726	482	200
BJY-36x1□, BGY-LED 18x1□	1326	1097	140
BJY-36x2□, BGY-LED 18x2□	1326	1097	200
BJY-58x1□, BGY-LED 28x1□	1626	1397	140
BJY-58x2□, BGY-LED 28x2□	1626	1397	200

"Ex e q" type



BJY-□x1□
BJY-□x2□

Type / Ordering code	L1	L2	W
BJY-18x1□, BGY-18x2□	726	482	200
BJY-36x1□, BGY-36x2□	1326	1097	200

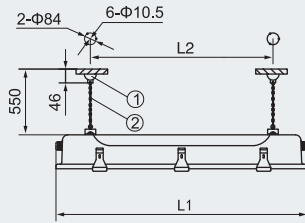
Light Fittings for Fluorescent Lamp

BJY Series Explosion-proof Lustration Light Fittings for Fluorescent Lamp

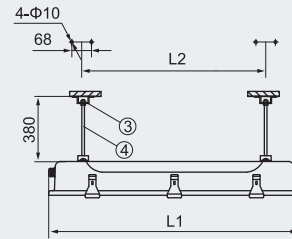
Mounting type (all dimensions in mm) - subject to alteration

Installation reference

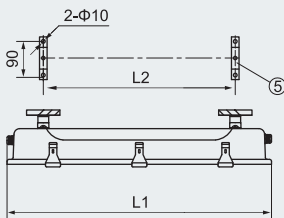
D: pendant chain type



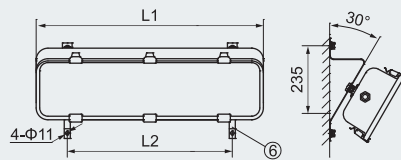
G: pendant pole type



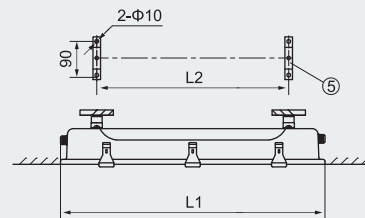
X: ceiling type



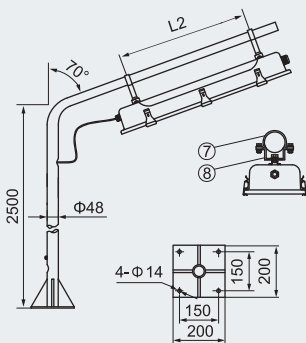
B: wall type



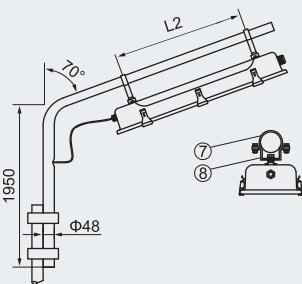
Q: recessed type



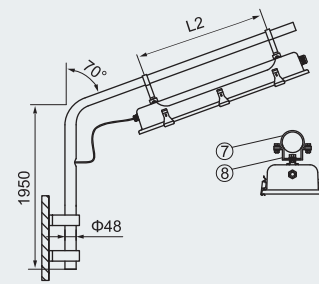
L: pole type (the pole is provided by user)



Suitable for ground pole type



Suitable for fence pole type



Suitable for wall pole type



Mounting Accessories & Spare Parts Table

Supplied according to the mounting type

Mounting type	Accessories			Ordering code	Weight (kg)
	Name	Qty	Illustration		
D: pendant chain type	①.Sucker	2	See P2/8	5136017	0.15
	②.Chain	2	Length: 450mm	5136016	0.08
G: pendant pole type	③.Mounting bracket	2	See P2/8	51S01G1	0.04
	④.M8 Screw	2	Length: 350mm	51S01G2	0.12
X: ceiling type	⑤.Mounting bracket	2	See P2/9	5136030	0.07
B: wall type	⑥.Wall bracket	2	Welded sheet steel	5236B02	0.25
Q:recessed type	⑤.Mounting bracket	2	See P2/9	5136030	0.07
L: pole type	⑦.G1 1/2" Pipe clamp	2	See P2/9	5136014	0.04
	⑧.Mounting bracket	2	See P2/9	5136012	0.04

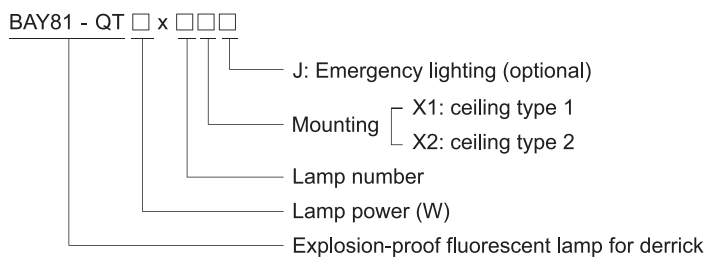
Note: Accessories not in the table shall be supplied by user.

Light Fittings for Fluorescent Lamp BAY81-QT Series Explosion-proof Fluorescent Lamp for Derrick



- ◆ Explosion protection to
 - CENELEC
 - IEC
 - NEC
- ◆ Can be used in
 - Zone 1 and Zone 2
 - Zone 21 and Zone 22
 - Class I, Zone 1 and Zone 2
 - Class I, Division 2, Groups A, B, C, D
- ◆ Polycarbonate diffuser, high transmittance, resistance to heavy impact.
- ◆ Main enclosure is extruding formed of copper-free aluminium, anodic-oxidation treatment for surface. Both ends of enclosures are die-casting formed of copper-free aluminium, powder coated surface.
- ◆ Built-in electronic ballast, power factor ≥ 0.95 .
- ◆ Special-made mounting bracket, the illumination angle can be adjusted on request.
- ◆ Emergency function is available on request.
- ◆ End of lamp life (EOL) rectification effect protection

Catalogue number logic



Selection table

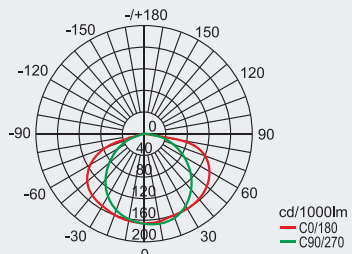
Type / Ordering code	Lamp power(W)	Weight(kg)	Type / Ordering code	Lamp power(W)	Weight(kg)
BAY81-QT18 x 2□	18 x 2	6.80	BAY81-QT18 x 2□J	18 x 2	7.50
BAY81-QT36 x 2□	36 x 2	8.50	BAY81-QT36 x 2□J	36 x 2	9.50

Note: Emergency lighting function is unavailable for routine products, please specify if needed.

Photometric data

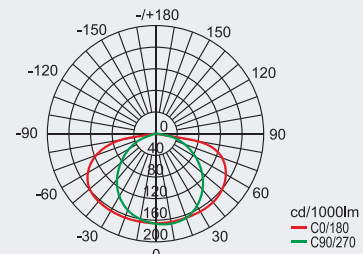
BAY81-QT 18W x 2

Rated luminous flux : 2600lm



BAY81-QT 36W x 2

Rated luminous flux : 6500lm



We can provide lighting design and data by professional lighting software DIALUX based upon simulated site situation on request.

Zones 1&2; 21&22

Light Fittings for Fluorescent Lamp

BAY81-QT Series Explosion-proof Fluorescent Lamp for Derrick

Technical data

Explosion-proof fluorescent lamp for derrick BAY81-QT36x2□□

Explosion protection

Gas explosion protection
Dust explosion protection

⊕ II 2 G Ex d e q IIC T4 Gb
⊕ II 2 D Ex tb IIIC T80°C Db IP66

Certificates

ATEX and IECEx (applied for); PCEC (China)

Conformity to standards

EN 60079-0, EN 60079-1, EN 60079-5, EN 60079-7, EN 60079-31
IEC 60079-0, IEC 60079-1, IEC 60079-5, IEC 60079-7, IEC 60079-31

Material

Main enclosure: Copper-free aluminium, anodic-oxidation treatment for surface.
Both ends of enclosure: Copper-free aluminium, powder coated surface
Diffuser: Polycarbonate, 90% light transmission, stands 7J impact
Ballast: Electronic ballast, power factor ≥ 0.95
Exposed fastener: Stainless steel

Lamp

Lamp specification: T8 tube (supplied with light fittings)
Lamp power (W): 18W x 2, 36W x 2
Emergency power (W): 18W x 1, 36W x 1

Rated voltage

96~254V AC 50/60Hz

Degree of protection

IP66

Ambient temperature

-40°C~+60°C

Terminal

3 x 1.5~4mm² (L+N+PE)

Cable entries

1 x G3/4"

Cable gland

Supplied with seal gasket and gland nut; Cable gland on request.

Available cable outer diameter

Φ 10~Φ 14 (mm)

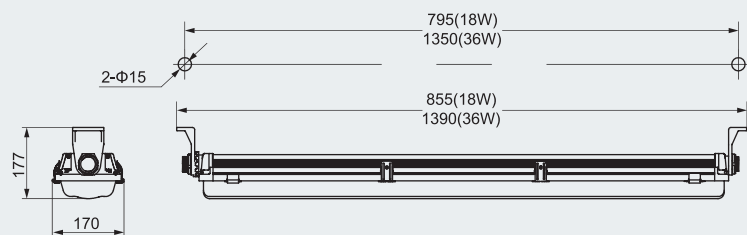
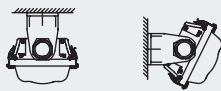
Emergency data

Emergency starting time: 0.3s
Charging time: 24h
Emergency lighting time: 120min (180min is optional)



Mounting type (all dimensions in mm) - subject to alteration

X1: ceiling type 1



X2: ceiling type 2

