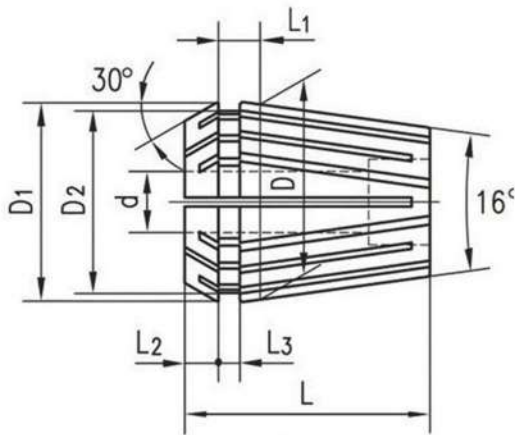


ER Collets



型号 Model	dH7	D	D1	D2	L	L1	L2	L3	弹性收缩量 Collapsible capacity
ER8	1.0-5.0	8	8.5	6.5	13.5	2.7	1.5	1.5	0.5
ER11	1.0-7.0	11	11.5	9.5	18.0	3.8	2.5	2.0	0.5
ER16	1.0-2.5	16	17	13.8	27.5	6.26	4.0	2.7	0.5
	2.5-10.0	16	17	13.8	27.5	6.26	4.0	2.7	1.0
ER20	1.0-2.5	20	21	17.4	31.5	6.36	4.8	2.8	0.5
	2.5-13.0	20	21	17.4	31.5	6.36	4.8	2.8	1.0
ER25	1.0-2.5	25	26	22.0	34.0	6.66	5.0	3.1	0.5
	2.5-16.0	25	26	22.0	34.0	6.66	5.0	3.1	1.0
ER32	2.0-2.5	32	33	29.2	40.0	7.16	5.5	3.6	0.5
	2.5-20.0	32	33	29.2	40.0	7.16	5.5	3.6	1.0
ER40	3.0-26.0	40	41	36.2	46.0	7.66	7.0	4.1	1.0
ER50	6.0-10.0	50	52	46.0	60.0	12.6	8.5	5.5	1.0
	10.0-34.0	50	52	46.0	60.0	12.6	8.5	5.5	2.0



Techno Frontier