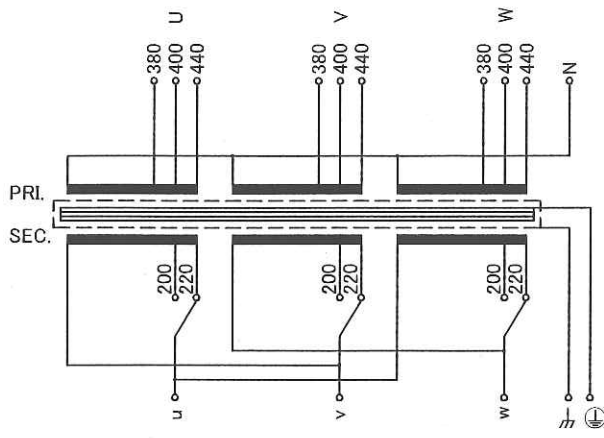
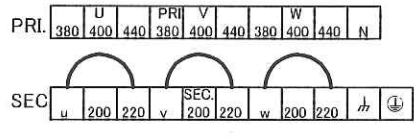


Rev. No.	1	Date	13.01.25	Content	ENIEC standard updated	Ver.	V2	Designed	M.Fujitaka	Rev. No.		Date		Content		Ver.	Designed	
Rev. No.		Date	13.01.25	Content	Rewrite drawing	Ver.	V2	Designed	M.Fujitaka	Rev. No.		Date		Content		Ver.	Designed	

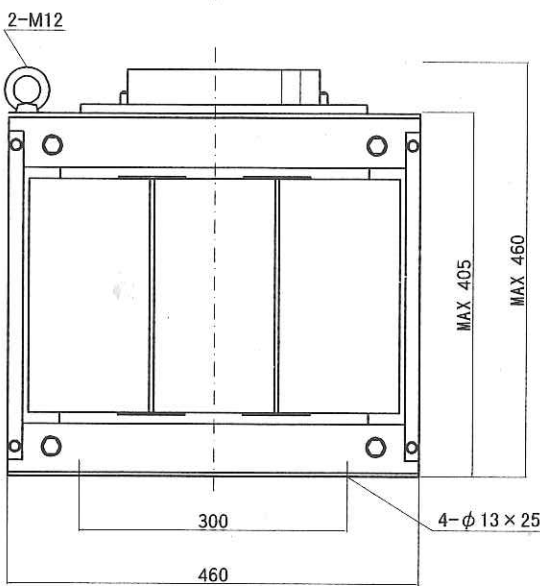
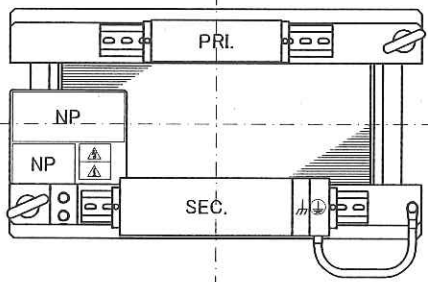
Circuit diagram



Terminal arrangement

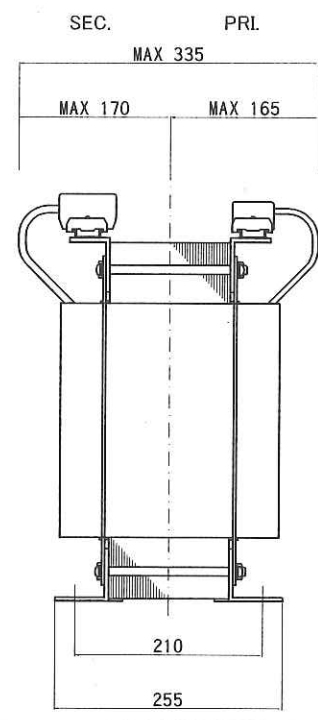


Terminal (Tightening Torque)
 PRI. PT-80 10P M5 (3.0N·m)
 SEC. PT-90 9P M6 (3.7N·m)
 ⓂⓂ PT-90 2P M6 (3.7N·m)



Specification

Rating	Cont.	Connection	Δ
Capacity	20.8 kVA		
Phase	3~	Frequency	50/60Hz
Primary Volt.	380/400/440V		
Secondary Volt.	200/220V		
Secondary Curr.	60/54.6A		
Insulation Resistance			
P-S P-E S-E	100MΩ Min. at DC1000V		
Dielectric Withstand Volt.			
P-E	AC 60Hz	4.0kV / 1min.	
P-S	AC 60Hz	5.0kV / 1min.	
S-E	AC 60Hz	2.5kV / 1min.	
Transformer Mass	160kg		
UL Recognition			
UL1561	File No.E258403		
Insulation Class 180 (System No.16) at 25°C			
Standard			
△ EN61558-1:2005+A1:2009, EN61558-2-4:2009, IEC61558-1:2005+A1:2009, IEC61558-2-4:2009			
Insulation Class H at 40°C			
Non short circuit proof isolating transformer			
Symbol mark ⊕			
Recommended protection device rating			
Pri. Circuit Breaker 60A			
Sec. Circuit Breaker 60A			
(IEC60947-2 or IEC60934)			



Designed Date	13.01.25	Description	Dry-type Isolating Transformer		Material	Finish	Remarks
Designed	M.Fujitaka	Approved	S.Murakami	Unit	mm	Scale	
今井電機株式会社 IMAI ELECTRIC CO., LTD.				Model	IEH3-YDB0208S-063		
				Dwg.No.	SYDB0208S063-V2		