

### MODEL : ZSA4949 – 2G4G

- Class A Solid state
- Utilises the latest GaN-HEMT
- Broadband(Instantaneous Single Band)
- Linear Output Power(1dB Gain Compression)
- Low Distortion
- Internal Systems Diagnostics and Status Indicator
- 19" Rack / 3U / Bench Case
- 3Years Standard Warranty

#### Built – In Protection

- High Temperature
- Supply Voltage
- FWD Over Power
- REF Over Power

#### Maintenance

- Amplifier Designed For Minimal Maintenance
- Rapid Diagnostic
- Minimal Downtime

#### Other Amplifiers Available

- ZSA4444 – 2G4G ⇒ 25W
- ZSA4646 – 2G4G ⇒ 40W
- ZSA5151 – 2G4G ⇒ 120W
- ZSA5353 – 2G4G ⇒ 200W

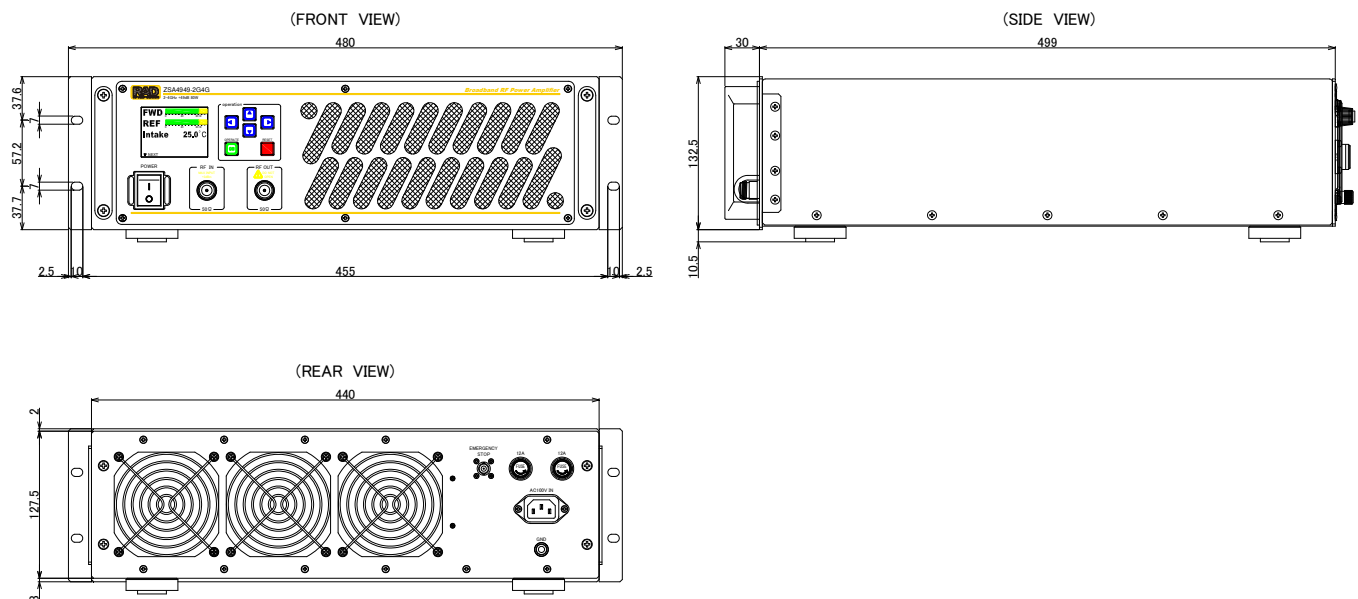
#### Applications

- EMC Tests
- RF Tests And Instrumentation
- Radio communication
- Measurement And Research Laboratories

#### Additional Options

- RF Connector Type
- RF Connector on Rear Panel
- RF Sample Port (Front or Rear Panel)
- Detected Sample Port (Front or Rear Panel)
- RF Input Switch
- Gain Control
- IEEE488 Control

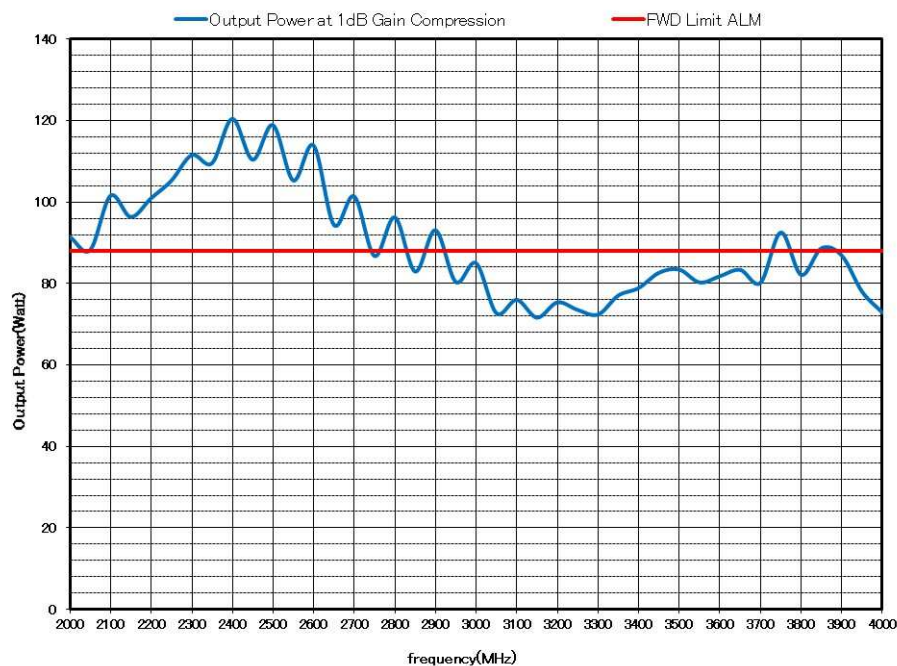
#### Outline Drawing ※ In Millimeters



### Specifications

• Frequency Bandwidth	2GHz - 4GHz
• Rated Output Power(1dB Gain Compression)	80W CW (typ) 60W CW (min)
• Class Type	Class A
• Gain	49dB (min)
• Gain Flatness	±3.0dB (max)
• Impedance	50ohms nominal
• Harmonics	-20dBc (max) @Po=60W
• Spurious	-70dBc (max) @Po=60W -80dBc (typical)
• Input VSWR	2:1 (max)
• Output VSWR	3:1 (max)
• RF Input Connector	N-Female (Front Panel)
• RF Output Connector	N-Female (Front Panel)
• Input Power	+3dBm (max)
• Operating Temperature	0°C - +35°C
• Room Temperature Storage	-20°C - +70°C
• Cooling	Forced Air (Self Contained Fans)
• Power Voltage	85-250VAC, 50 - 60Hz, Single Phase
• Rated Current	10A at 100VAC @Po=60W
• Weight	25kg
• Dimensions	(W)480 x (D)550 x (H)132.5 mm (EIA/3U)
• Safety Interlock	Connector Type BNC-Female

Model ZSA4949-2G4G Typical Power Output



※ Continual operation exceeded specified power-output may cause product damage.