

### MODEL : ZSA4646 – 100K500M

- Class A Solid state
- Utilises the latest MOS-FET
- Broadband(Instantaneous Single Band)
- Linear Output Power
- Low Distortion
- Internal Systems Diagnostics and Status Indicator
- Bench Case
- 3Years Standard Warranty

#### Built – In Protection

- High Temperature
- Supply Voltage

#### Maintenance

- Amplifier Designed For Minimal Maintenance
- Rapid Diagnostic
- Minimal Downtime

#### Other Amplifiers Available

- ZSA4949 – 100K500M ⇒ 80W
- ZSA5151 – 100K500M ⇒ 120W
- ZSA5454 – 100K500M ⇒ 250W
- ZSA5757 – 100K500M ⇒ 500W

#### Applications

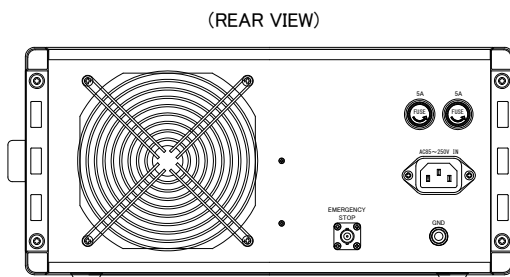
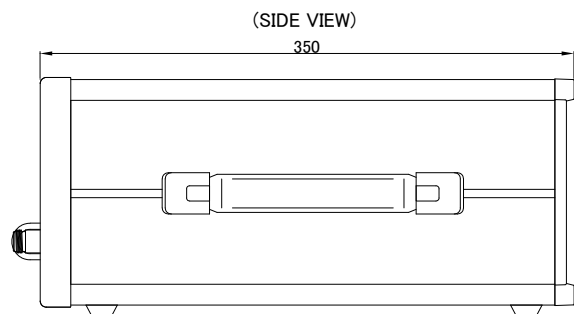
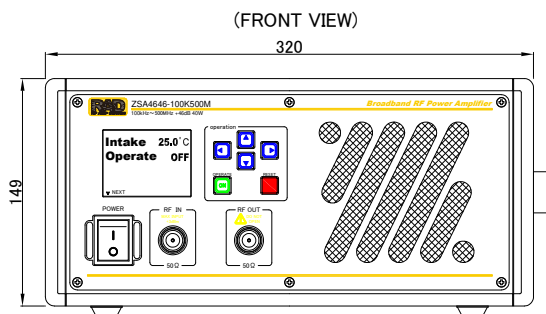
- EMC Tests
- RF Tests And Instrumentation
- Radio communication
- Measurement And Research Laboratories

#### Additional Options

- RF Connector Type
- RF Connector on Rear Panel
- RF Sample Port (Front or Rear Panel)
- Detected Sample Port (Front or Rear Panel)
- RF Input Switch
- Gain Control
- IEEE488 Control

#### Outline Drawing

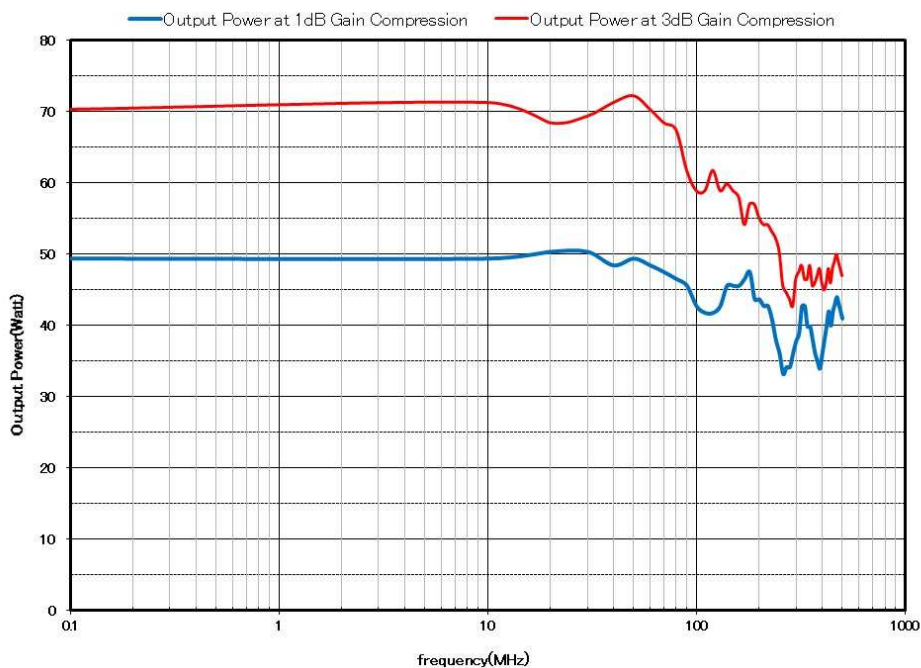
※ In Millimeters



### Specifications

|  |                                    |
|--|------------------------------------|
| • Frequency Bandwidth                      | 100kHz – 500MHz                    |
| • Rated Output Power(3dB Gain Compression) | 40W CW (min)                       |
| • Rated Output Power(1dB Gain Compression) | 30W CW (min)                       |
| • Class Type                               | Class A                            |
| • Gain                                     | 46dB (min)                         |
| • Gain Flatness                            | ±2.5dB (max)                       |
| • Impedance                                | 50ohms nominal                     |
| • Harmonics                                | -20dBc (max) @Po=30W               |
| • Spurious                                 | -70dBc (max) @Po=30W               |
|  | -80dBc (typical)                   |
| • Input VSWR                               | 2:1 (max)                          |
| • Output VSWR                              | 3:1 (typ)                          |
| • RF Input Connector                       | N-Female (Front Panel)             |
| • RF Output Connector                      | N-Female (Front Panel)             |
| • Input Power                              | +3dBm (max)                        |
| • Operating Temperature                    | 0°C - +40°C                        |
| • Room Temperature Storage                 | -20°C - +70°C                      |
| • Cooling                                  | Forced Air (Self Contained Fans)   |
| • Power Voltage                            | 85~250VAC、 50 - 60Hz、 Single Phase |
| • Rated Current                            | 4A at 100VAC                       |
| • Weight                                   | 10kg                               |
| • Dimensions                               | (W)320 x (D)350 x (H)149 mm        |
| • Safety Interlock                         | Connector Type BNC-Female          |

Model ZSA4646-100K500M Typical Power Output



※ Continual operation exceeded specified power-output may cause product damage.