

### MODEL : ZSA5454 – 100K250M

- Class A Solid state
- Utilises the latest MOS-FET
- Broadband(Instantaneous Single Band)
- Linear Output Power
- Low Distortion
- Internal Systems Diagnostics and Status Indicator
- Bench Case
- 3Years Standard Warranty

#### Built – In Protection

- High Temperature
- Supply Voltage
- FWD Over Power
- REF Over Power

#### Maintenance

- Amplifier Designed For Minimal Maintenance
- Rapid Diagnostic
- Minimal Downtime

#### Other Amplifiers Available

- ZSA4646 – 100K250M ⇒ 40W
- ZSA5050 – 100K250M ⇒ 100W
- ZSA5757 – 100K250M ⇒ 500W
- ZSA6060 – 100K250M ⇒ 1000W
- ZSA6363 – 100K250M ⇒ 2000W

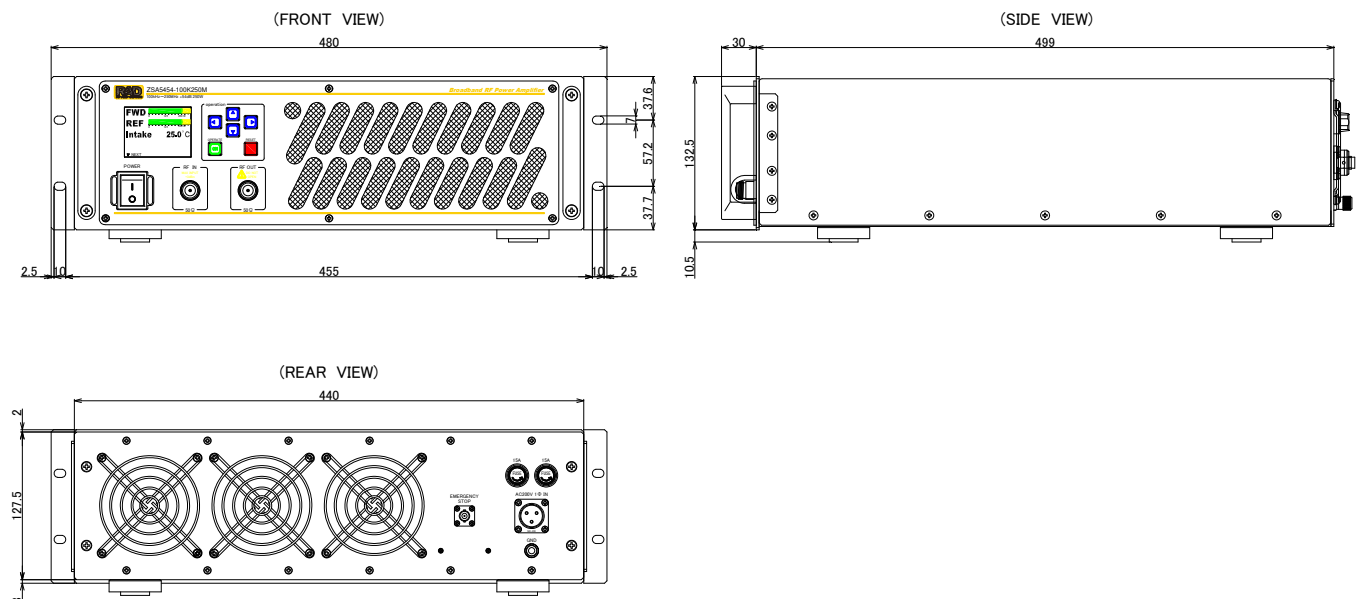
#### Applications

- EMC Tests
- RF Tests And Instrumentation
- Radio communication
- Measurement And Research Laboratories

#### Additional Options

- RF Connector Type
- RF Connector on Rear Panel
- RF Sample Port (Front or Rear Panel)
- Detected Sample Port (Front or Rear Panel)
- RF Input Switch
- Gain Control
- IEEE488 Control

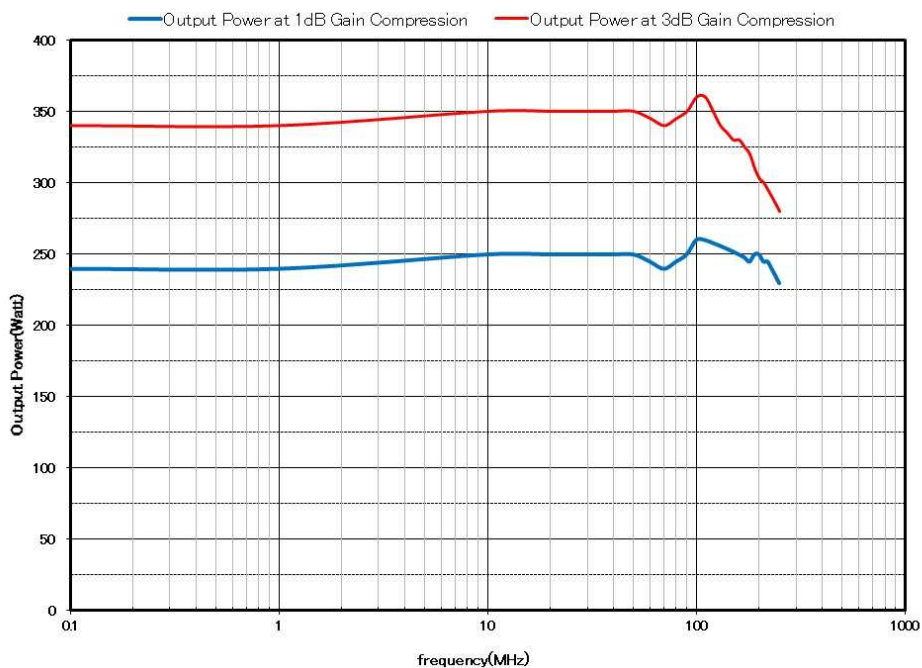
#### Outline Drawing ※ In Millimeters



### Specifications

• Frequency Bandwidth	100kHz – 250MHz
• Rated Output Power(3dB Gain Compression)	250W CW (min)
• Rated Output Power(1dB Gain Compression)	200W CW (min)
• Class Type	Class A
• Gain	54dB (min)
• Gain Flatness	±2.0dB (max)
• Impedance	50ohms nominal
• Harmonics	-20dBc (max) @Po=200W
• Spurious	-70dBc (max) @Po=200W
	-80dBc (typical)
• Input VSWR	2:1 (max)
• Output VSWR	3:1 (typ)
• RF Input Connector	N-Female (Front Panel)
• RF Output Connector	N-Female (Front Panel)
• Input Power	+3dBm (max)
• Operating Temperature	0°C - +40°C
• Room Temperature Storage	-20°C - +70°C
• Cooling	Forced Air (Self Contained Fans)
• Power Voltage	200-240VAC, 50 – 60Hz, Single Phase
• Rated Current	8A at 200VAC
• Weight	20kg
• Dimensions	(W)480 x (D)500 x (H)132.5 mm
• Safety Interlock	Connector Type BNC-Female

Model ZSA5454-100K250M Typical Power Output



※ Continual operation exceeded specified power-output may cause product damage.