

MODEL : ZSA4646 – 100K250M

- Class A Solid state
- Utilises the latest MOS-FET
- Broadband(Instantaneous Single Band)
- Linear Output Power
- Low Distortion
- Internal Systems Diagnostics and Status Indicator
- Bench Case
- 3Years Standard Warranty

Built – In Protection

- High Temperature
- Supply Voltage

Maintenance

- Amplifier Designed For Minimal Maintenance
- Rapid Diagnostic
- Minimal Downtime

Other Amplifiers Available

- ZSA5050 – 100K250M ⇒ 100W
- ZSA5454 – 100K250M ⇒ 250W
- ZSA5757 – 100K250M ⇒ 500W
- ZSA6060 – 100K250M ⇒ 1000W
- ZSA6363 – 100K250M ⇒ 2000W

Applications

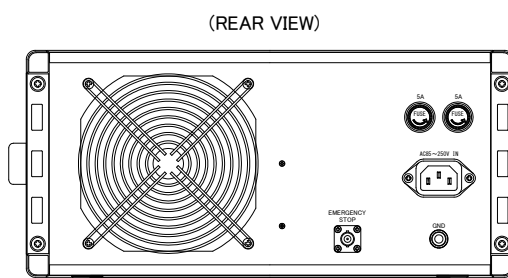
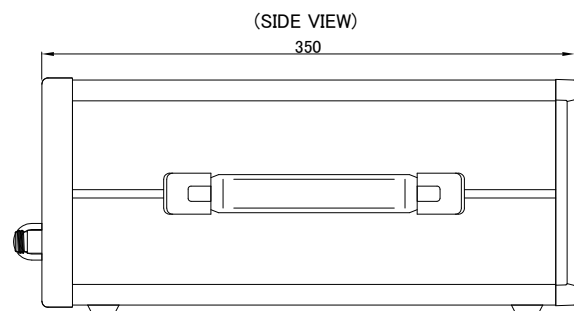
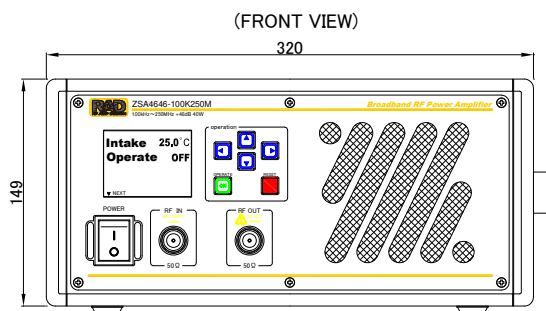
- EMC Tests
- RF Tests And Instrumentation
- Radio communication
- Measurement And Research Laboratories

Additional Options

- RF Connector Type
- RF Connector on Rear Panel
- RF Sample Port (Front or Rear Panel)
- Detected Sample Port (Front or Rear Panel)
- RF Input Switch
- Gain Control
- IEEE488 Control

Outline Drawing

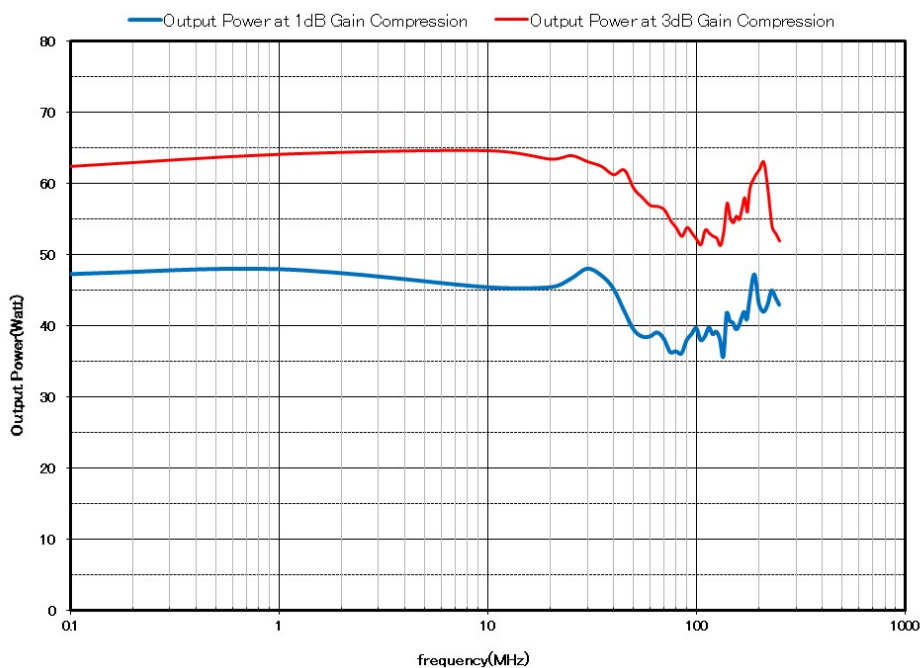
※ In Millimeters



Specifications

• Frequency Bandwidth	100kHz – 250MHz
• Rated Output Power(3dB Gain Compression)	40W CW (min)
• Rated Output Power(1dB Gain Compression)	30W CW (min)
• Class Type	Class A
• Gain	46dB (min)
• Gain Flatness	±2.0dB (max)
• Impedance	50ohms nominal
• Harmonics	-20dBc (max) @Po=30W
• Spurious	-70dBc (max) @Po=30W
	-80dBc (typical)
• Input VSWR	2:1 (max)
• Output VSWR	3:1 (max)
• RF Input Connector	N-Female (Front Panel)
• RF Output Connector	N-Female (Front Panel)
• Input Power	+3dBm (max)
• Operating Temperature	0°C - +40°C
• Room Temperature Storage	-20°C - +70°C
• Cooling	Forced Air (Self Contained Fans)
• Power Voltage	85~250VAC、 50 – 60Hz、 Single Phase
• Rated Current	4A at 100VAC
• Weight	10kg
• Dimensions	(W)320 x (D)350 x (H)149 mm
• Safety Interlock	Connector Type BNC-Female

Model ZSA4646-100K250M Typical Power Output



※ Continual operation exceeded specified power-output may cause product damage.