

### MODEL : ZSA5151 – 2500M6G

- Class A Solid state
- Utilises the latest GaN-HEMT
- Broadband(Instantaneous Single Band)
- Linear Output Power(1dB Gain Compression)
- Low Distortion
- Internal Systems Diagnostics and Status Indicator
- 19" Rack / 3U / Bench Case
- 3Years Standard Warranty

#### Built – In Protection

- High Temperature
- Supply Voltage
- FWD Over Power
- REF Over Power

#### Maintenance

- Amplifier Designed For Minimal Maintenance
- Rapid Diagnostic
- Minimal Downtime

#### Other Amplifiers Available

- ZSA4343 – 2500M6G ⇒ 20W
- ZSA4545 – 2500M6G ⇒ 30W
- ZSA4747 – 2500M6G ⇒ 50W
- ZSA5454 – 2500M6G ⇒ 250W

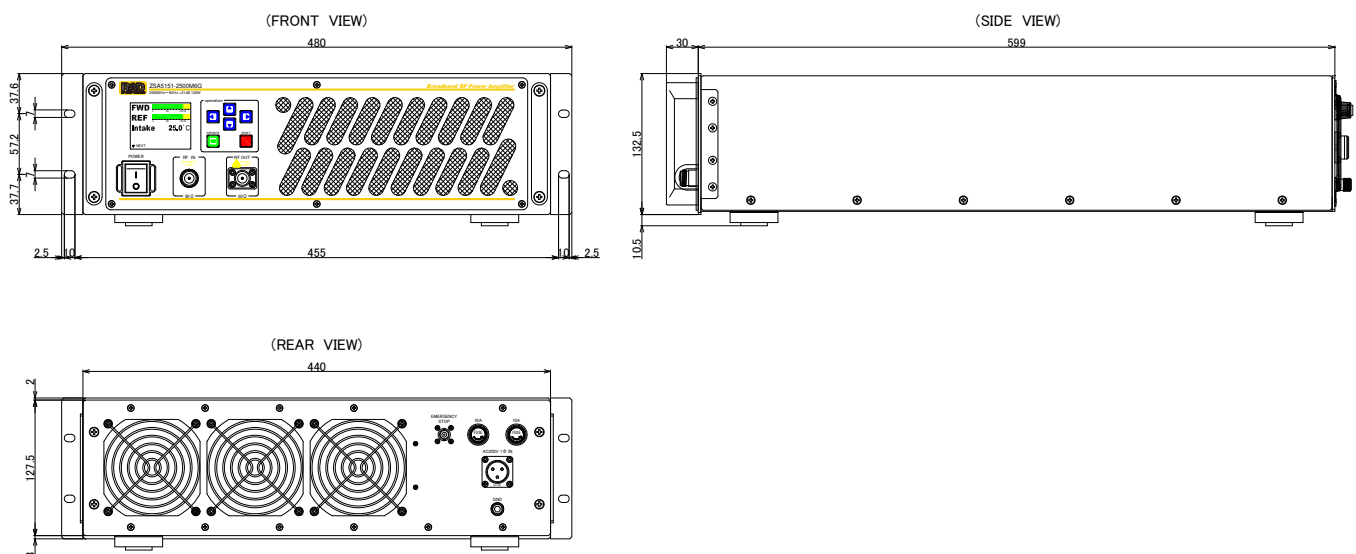
#### Applications

- EMC Tests
- RF Tests And Instrumentation
- Radio communication
- Measurement And Research Laboratories

#### Additional Options

- RF Connector Type
- RF Connector on Rear Panel
- RF Sample Port (Front or Rear Panel)
- Detected Sample Port (Front or Rear Panel)
- RF Input Switch
- Gain Control
- IEEE488 Control

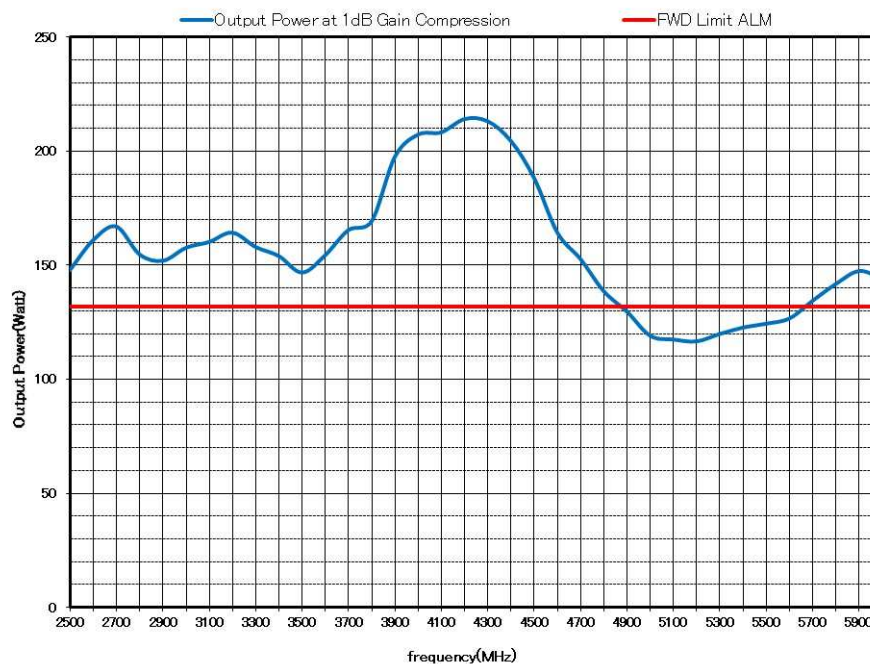
#### Outline Drawing ※ In Millimeters



### Specifications

|  |   |
|--|---|
| • Frequency Bandwidth                      | 2500MHz – 6GHz                            |
| • Rated Output Power(1dB Gain Compression) | 120W CW (typ)<br>100W CW (min)            |
| • Class Type                               | Class A                                   |
| • Gain                                     | 51dB (min)                                |
| • Gain Flatness                            | ±3.0dB (max)                              |
| • Impedance                                | 50ohms nominal                            |
| • Harmonics                                | -20dBc (max) @Po=100W                     |
| • Spurious                                 | -70dBc (max) @Po=100W<br>-80dBc (typical) |
| • Input VSWR                               | 2:1 (max)                                 |
| • Output VSWR                              | 3:1 (max)                                 |
| • RF Input Connector                       | N-Female (Front Panel)                    |
| • RF Output Connector                      | N-Female (Front Panel)                    |
| • Input Power                              | +3dBm (max)                               |
| • Operating Temperature                    | 0°C - +35°C                               |
| • Room Temperature Storage                 | -20°C - +70°C                             |
| • Cooling                                  | Forced Air (Self Contained Fans)          |
| • Power Voltage                            | 200-240VAC, 50 – 60Hz, Single Phase       |
| • Rated Current                            | 9A at 200VAC @Po=100W                     |
| • Weight                                   | 30kg                                      |
| • Dimensions                               | (W)480 x (D)600 x (H)132.5 mm (EIA/3U)    |
| • Safety Interlock                         | Connector Type BNC-Female                 |

Model ZSA5151-2500M6G Typical Power Output



※ Continual operation exceeded specified power-output may cause product damage.