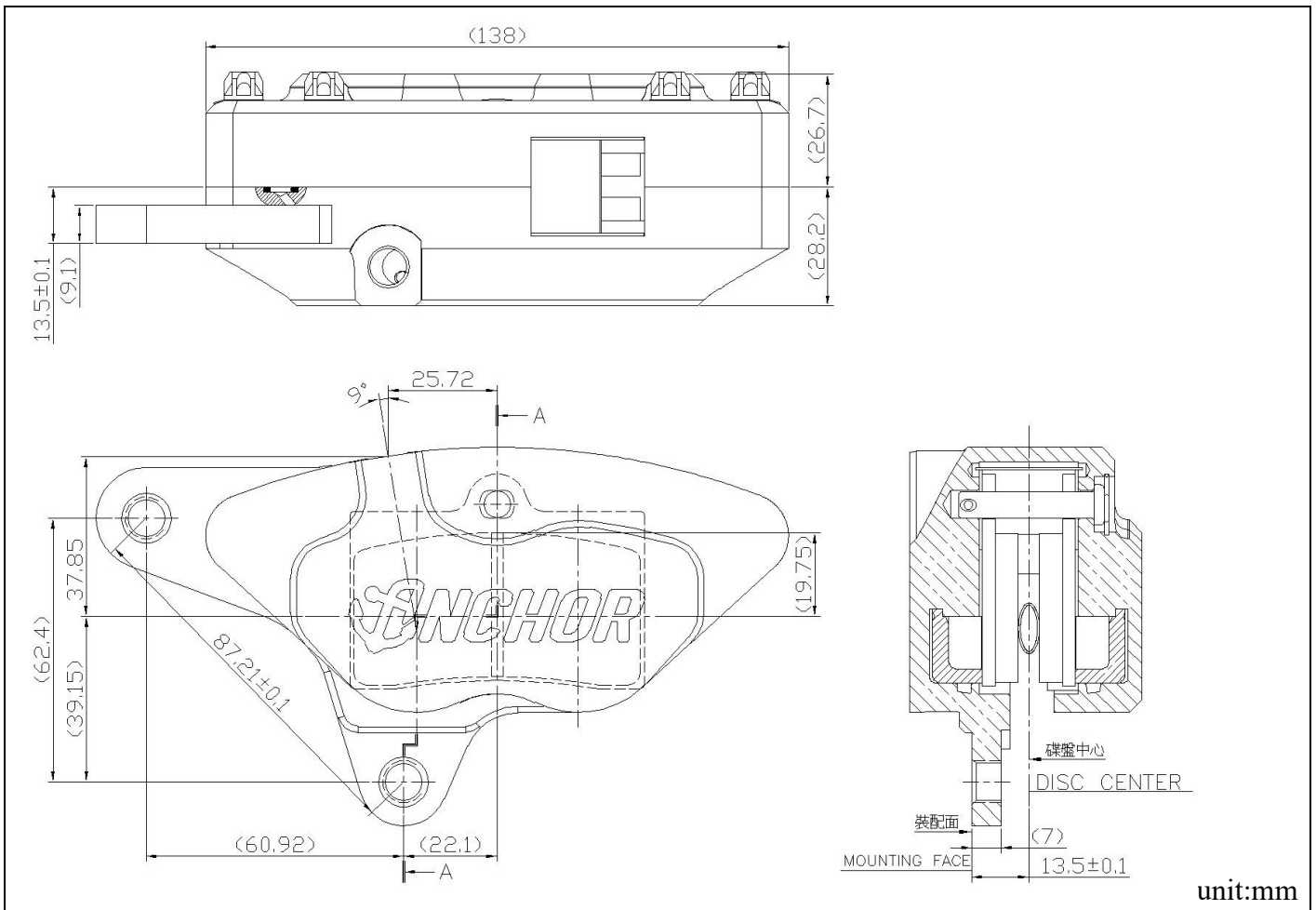
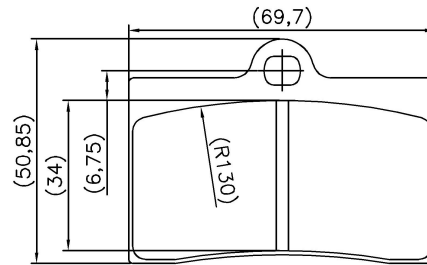


TECHNICAL SPECIFICATION

Piston Size	ϕ 31.6mm*4	Length:11mm		
Piston Area	15.68cm ² *2		'PL' Dimension	58.9mm
Piston Material	Aluminum Alloy		Caliper Body	2 pieces
Disc Diameter	ϕ 320(MAX)mm		Caliper Material	Aluminum Alloy Forged
Disc Thicknesses	3.5(MIN)~5(MAX)mm			
Weight(Less Pads)	**kg			
Hydraulic Threads	M10*1.25			
Mounting	Axial(Lug)			
- centres	87.2mm			
- offset	13.5mm			
- threads	M10*1.25			

PAD FAMILY(59-110)

Pad Area=21.77cm²
 Pad Depth=34mm
 Pad Thickness - Organic=8.5mm(plate thickness 3mm)
 - Sintered=8mm(plate thickness 3.2mm)
 Pad Weight =0.19kg(2 pieces)



unit:mm

隼湧國際貿易股份有限公司

JOYOM INTERNATIONAL TRADING CO.,LTD.