

**TECHNICAL SPECIFICATION**

Piston Size	$\phi 32\text{mm} \times 2$	Length:15mm		
Piston Area	$8\text{cm}^2 \times 2$		'PL' Dimension	36.1mm
Piston Material	Aluminum Alloy		Caliper Body	2 pieces
Disc Diameter	$\phi 220(\text{MAX})\text{mm}$		Caliper Material	Aluminum Alloy Forged
Disc Thicknesses	3.5(MIN)~5(MAX)mm			
Weight(Less Pads)	0.43kg			
Hydraulic Threads	M10*1.25			
Mounting	Axial(Lug)			
- centres	40mm			
- offset	26.5mm			
- threads	M10*1.25			

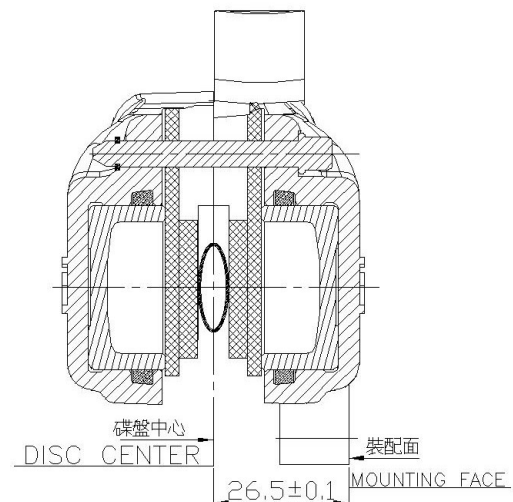
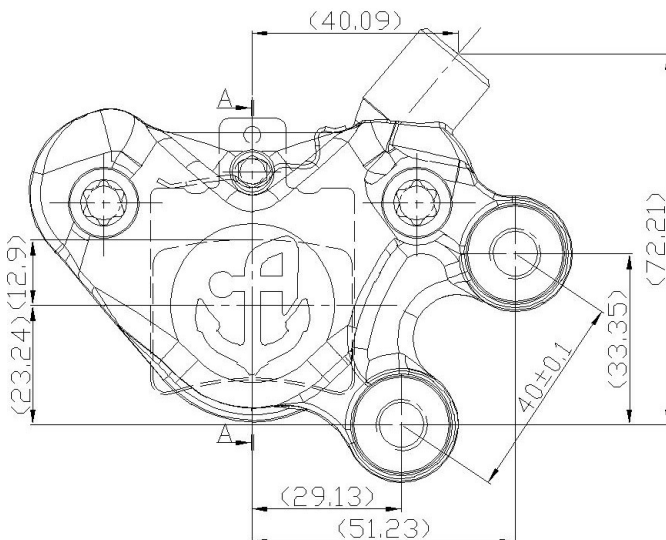
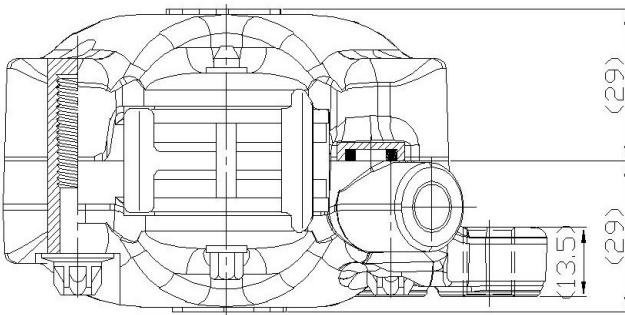
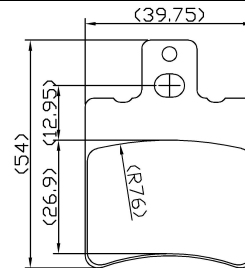
**PAD FAMILY(07536512)**

Pad Area=10.5cm<sup>2</sup>

Pad Depth=26.9mm

Pad Thickness - Organic=6.4mm(plate thickness 2.7mm)

Pad Weight =0.11kg(2 pieces)



unit:mm

隼湧國際貿易股份有限公司

JOYOM INTERNATIONAL TRADING CO.,LTD.