

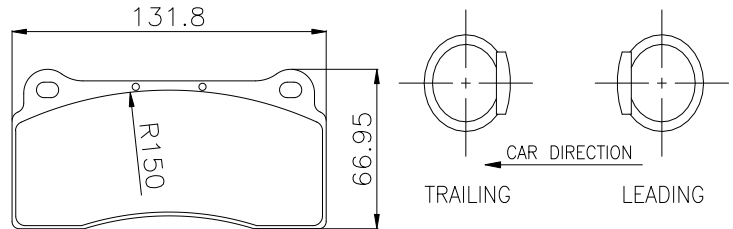
TECHNICAL SPECIFICATION

Piston Size	$\phi 33.96\text{mm} \times 4(\text{REAR})$	'PL' Dimension	55.7mm
Piston Area	$18.1\text{cm}^2 \times 2$	Caliper Body	2 pieces
Piston Material	Aluminum Alloy	Caliper Material	Aluminum Alloy Forged
Disc Diameter	$\phi 330\text{mm} \sim \phi 380\text{mm}$		
Disc Thicknesses	T:19mm(Max:21mm)		
Weight(Less Pads)	3.1kg(One side)		
Hydraulic Threads	M10*1.0		
Mounting	Radial		
- centres	152mm		
- offset	41.5mm		
- hole ϕ	12.2mm		

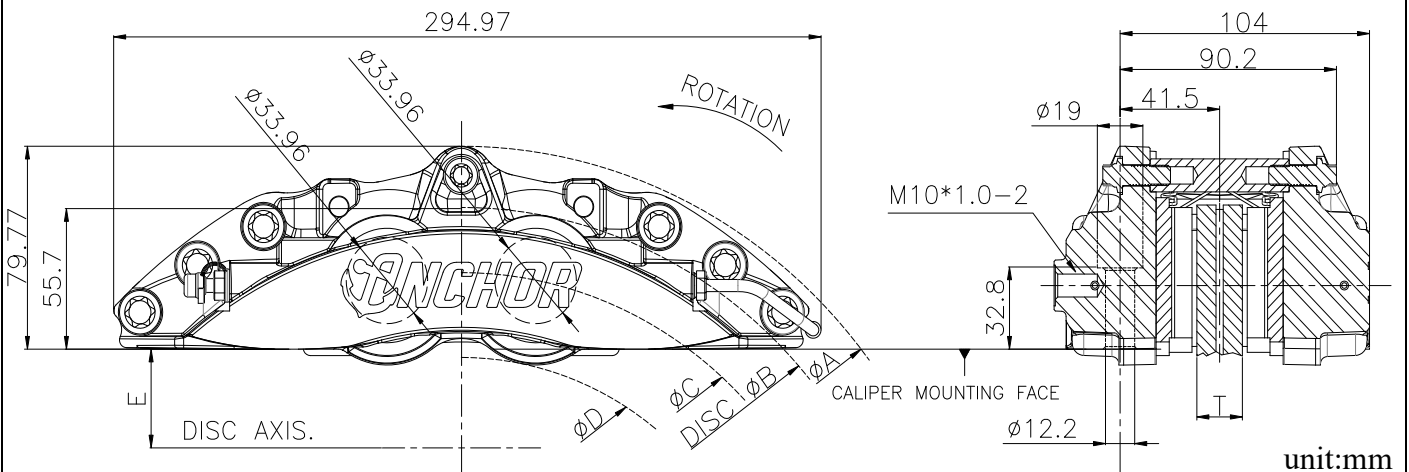
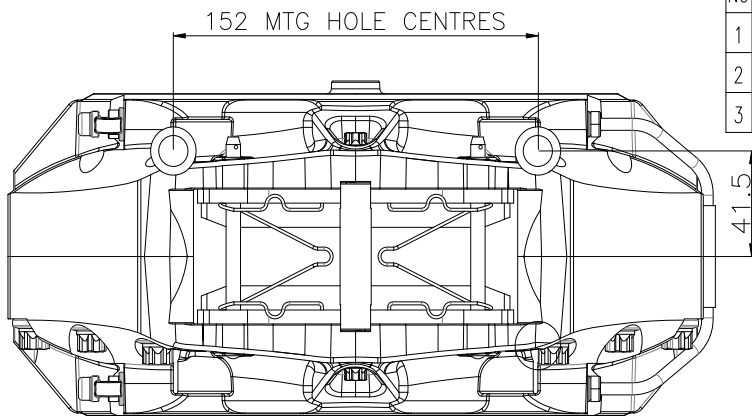


PAD FAMILY(HF4BP)

Pad Area=64.2cm²
 Pad Depth=51.2mm
 Pad Thickness=15mm(with shim, panel thickness 5.5mm)
 Pad Weight =1.88kg(4 pieces)



NO	DISC ϕ B/T	ϕ A	ϕ B	ϕ C	ϕ D	E	F	G	H
1	$\phi 330$ /T19	382.3	330	276.8	211.21	108.3	47	93.6	116
2	$\phi 355$ /T19	401.3	355	301.8	235.62	120.8	47	93.6	116
3	$\phi 380$ /T19	428.2	380	328.8	262.08	134.3	47	93.6	116



unit:mm



+886-3-371-0777