

● BRF4PR

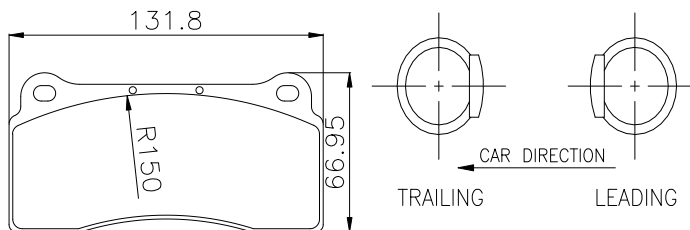
## TECHNICAL SPECIFICATION

|                   |   |                  |                       |
|-------------------|---|------------------|-----------------------|
| Piston Size       | $\phi 33.96\text{mm} \times 4(\text{REAR})$ | 'PL' Dimension   | 55.7mm                |
| Piston Area       | $18.1\text{cm}^2 \times 2$                  | Caliper Body     | 2 pieces              |
| Piston Material   | Aluminum Alloy                              | Caliper Material | Aluminum Alloy Forged |
| Disc Diameter     | $\phi 330\text{mm} \sim \phi 380\text{mm}$  |                  |                       |
| Disc Thicknesses  | T:11mm(Max:13mm)                            |                  |                       |
| Weight(Less Pads) | 3.1kg(One side)                             |                  |                       |
| Hydraulic Threads | M10*1.0                                     |                  |                       |
| Mounting          | Radial                                      |                  |                       |
| - centres         | 152mm                                       |                  |                       |
| - offset          | 37.5mm                                      |                  |                       |
| - hole $\phi$     | 12.2mm                                      |                  |                       |

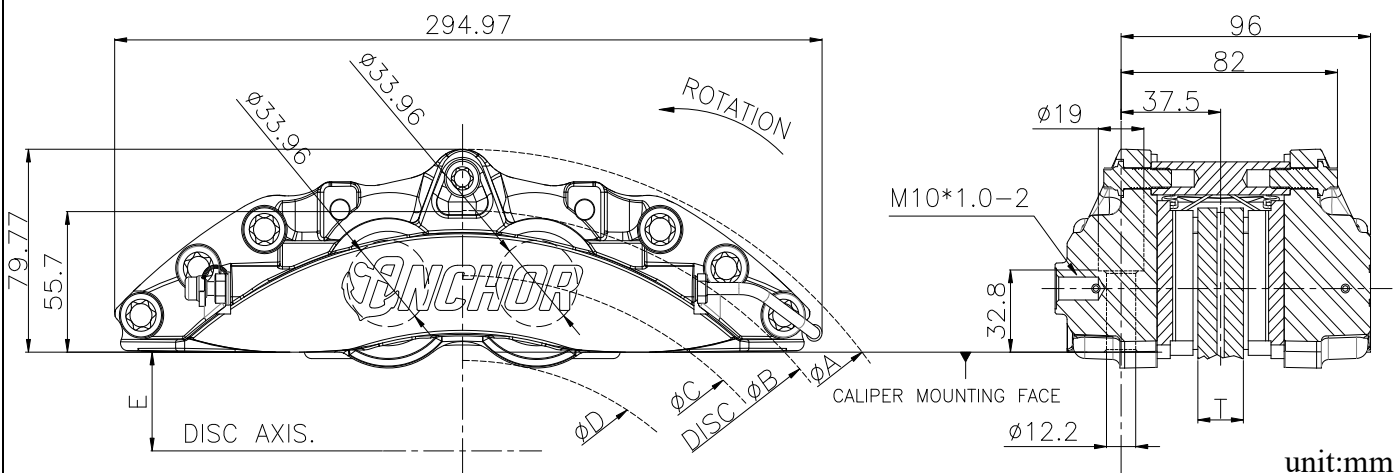
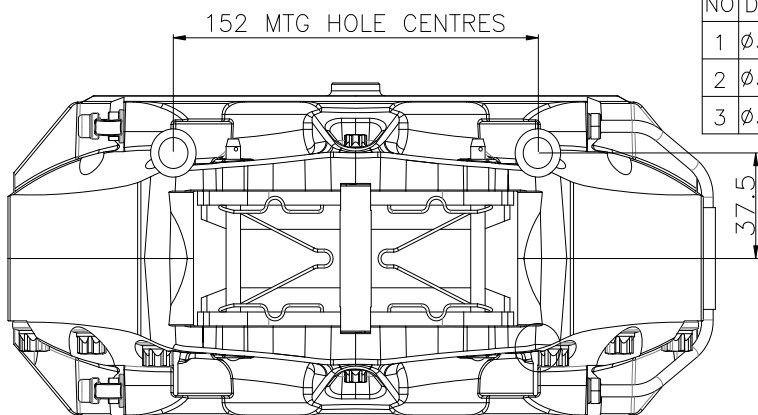


## PAD FAMILY(HF4BP)

Pad Area=64.2cm<sup>2</sup>  
 Pad Depth=51.2mm  
 Pad Thickness=15mm(with shim, panel thickness 5.5mm)  
 Pad Weight =1.88kg(4 pieces)



| NO | DISC $\phi$ B/T       | $\phi$ A | $\phi$ B | $\phi$ C | $\phi$ D | E     |
|----|-----------------------|----------|----------|----------|----------|-------|
| 1  | $\phi 330/\text{T11}$ | 382.3    | 330      | 276.8    | 211.21   | 108.3 |
| 2  | $\phi 355/\text{T11}$ | 401.3    | 355      | 301.8    | 235.62   | 120.8 |
| 3  | $\phi 380/\text{T11}$ | 428.2    | 380      | 328.8    | 262.08   | 134.3 |



unit:mm