

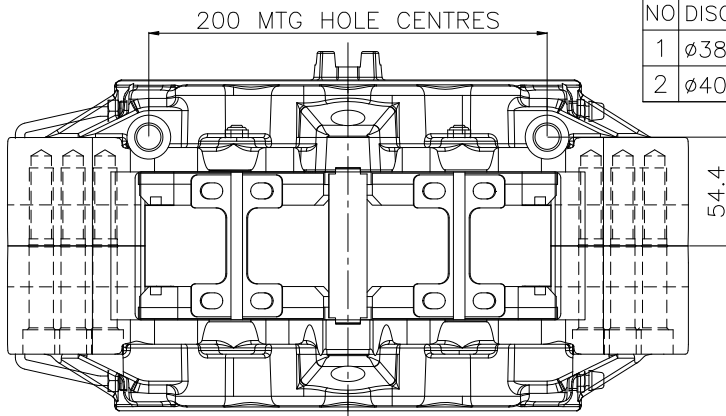
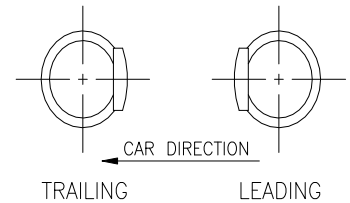
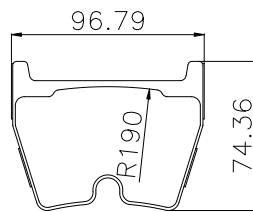
TECHNICAL SPECIFICATION

Piston Size	$\phi 30.23\text{mm} \times 4 + \phi 33.96\text{mm} \times 4$	'PL' Dimension	67.13mm
Piston Area	$32.47\text{cm}^2 \times 2$	Caliper Body	2 pieces
Piston Material	Aluminum Alloy	Caliper Material	Aluminum Alloy Forged
Disc Diameter	ϕB		
Disc Thicknesses	T		
Weight(Less Pads)	4.85kg(One side)		
Hydraulic Threads	M10*1.0		
Mounting	Radial		
- centres	200mm		
- offset	54.4mm		
- hole ϕ	12.2mm		

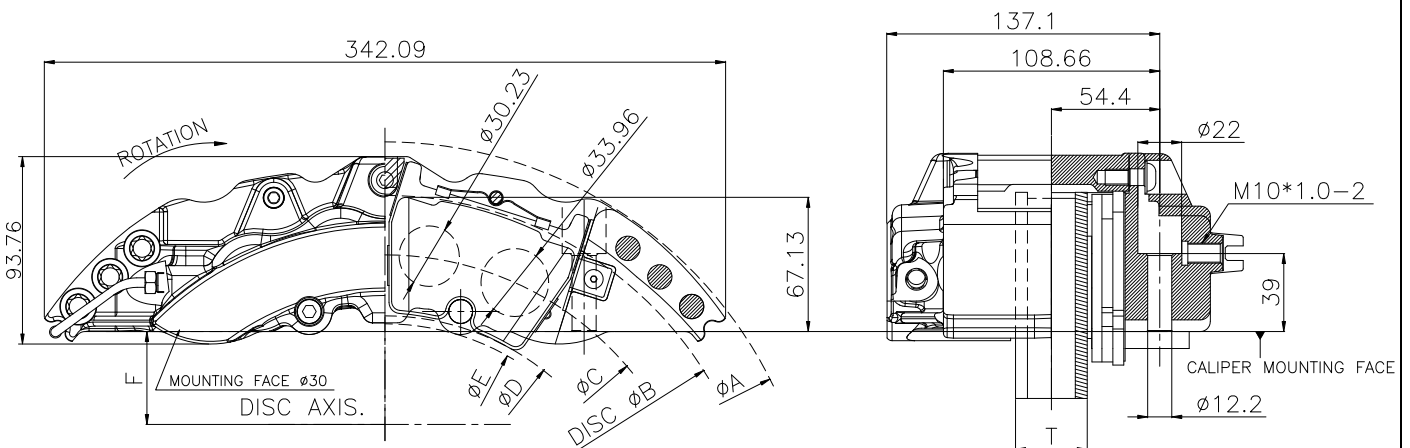


PAD FAMILY(HF8CP)

Pad Area=45.2cm²
 Pad Depth=56.8mm
 Pad Thickness=16.5mm(with shim, panel thickness 5.5mm)
 Pad Weight =1.4kg(4 pieces)



NO	DISC $\phi B/T$	ϕA	ϕB	ϕC	ϕD	ϕE	F
1	$\phi 380/T34$	433.58	380	319.84	258.82	250.82	121.53
2	$\phi 405/T36$	456.17	405	344.67	282.71	276.86	135.03



unit:mm