

● N4PSTR



MEDIUM 4 PISTON FORGED CALIPER ST SERIES

中對 4 活塞鍛造卡鉗 ST 系列(N4PST#270STR)

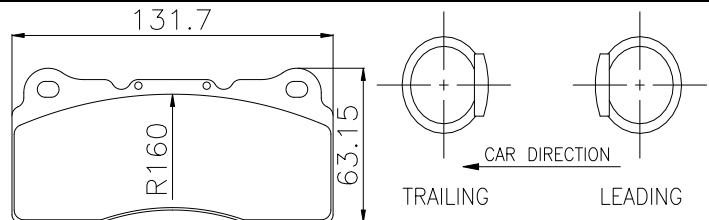
TECHNICAL SPECIFICATION

Piston Size	$\phi 33.96\text{mm} \times 4(\text{REAR})$	'PL' Dimension	55.25mm
Piston Area	$18.12\text{cm}^2 \times 2$	Caliper Body	2 pieces
Piston Material	Aluminum Alloy	Caliper Material	Aluminum Alloy Forged
Disc Diameter	$\phi 290 \sim \phi 355$		
Disc Thicknesses	T:19 mm(Max:21mm)		
Weight(Less Pads)	2.8kg(One side)		
Hydraulic Threads	M10*1.0		
Mounting	Radial		
- centres	130mm		
- offset	40mm		
- hole ϕ	12.2mm		

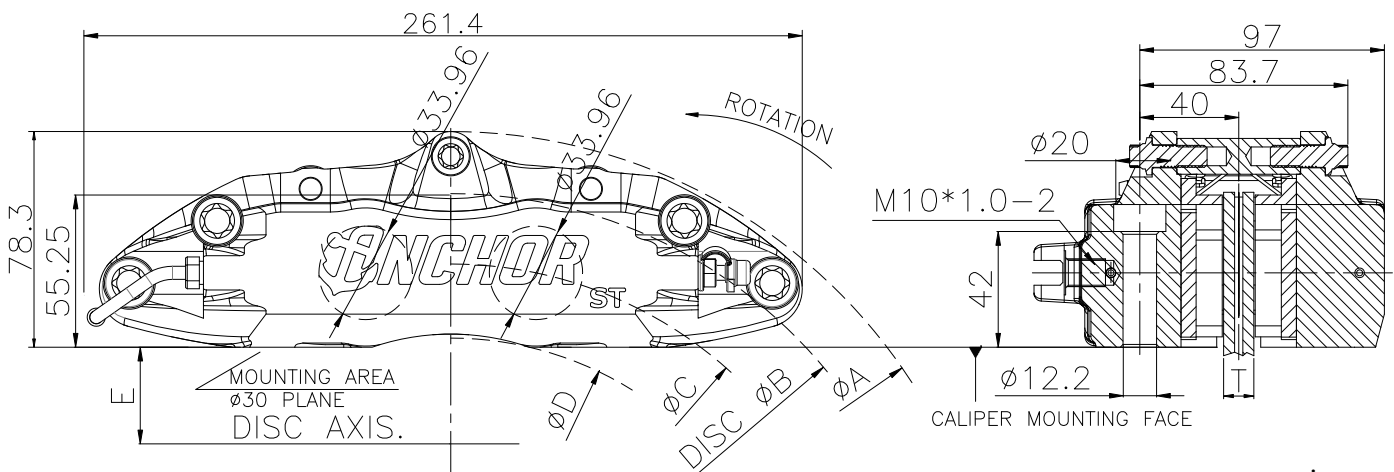
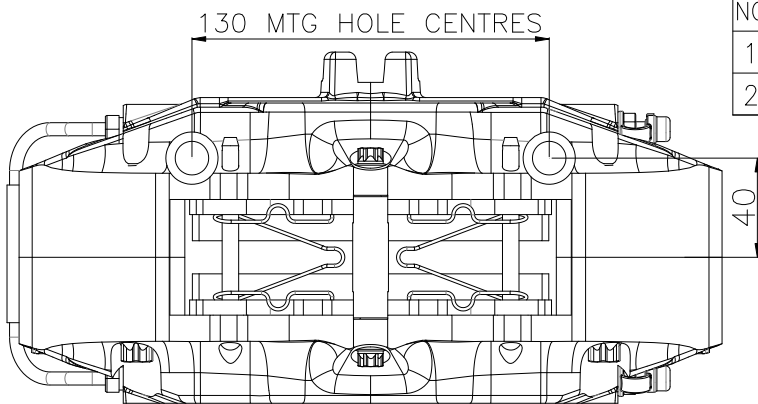


PAD FAMILY(HFN4ST)

Pad Area=59cm²
 Pad Depth=46.5mm
 Pad Thickness=13.5mm(with shim, panel thickness 5.5mm)
 Pad Weight =0.85kg(2 pieces)



NO	DISC ϕ B/T	ϕ A	ϕ B	ϕ C	ϕ D	E
1	$\phi 290/T19$	343.5	290	241.5	186.3	88.7
2	$\phi 355/T19$	401	355	308.5	251	122.2



unit:mm

泓輔企業股份有限公司
 Horng Fuu Industrial CO.,LTD.

http://www.horngfuu.com.tw E-mail: sa2@horngfuu.com.tw TEL: +886-3-371-0789 FAX: +886-3-371-0777