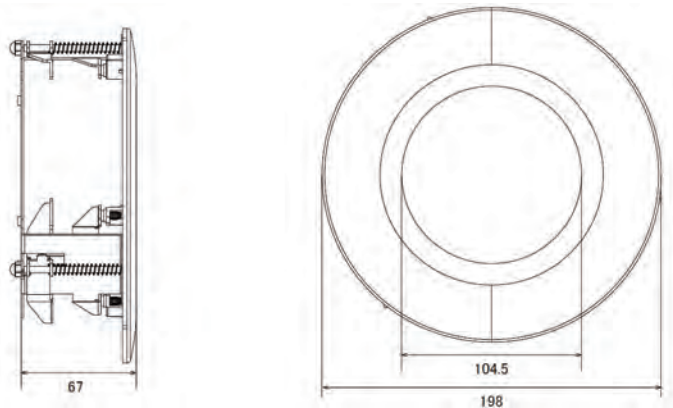




ATB-502



◆ Dimensions



Indoor Ceiling Mount

◆ Technical Specifications

Model	ATB-502
Color	Ivory
Material	PRESS & ABS
Maximum Loading	10Kg
Dimensions	198 (Ø) x 67 (H) mm
Weight	470g
Collocated with	AHD-3710SRC, TVI-3400SR-II, AHD-3200SR-HD, AHD-3600SR-HDII

■ Specifications are subject to change without prior notice.

◆ Supported Camera



AHD-3710SRC, AHD-3600SR-HDII



TVI-3400SR-II



AHD-3200SR-HD