

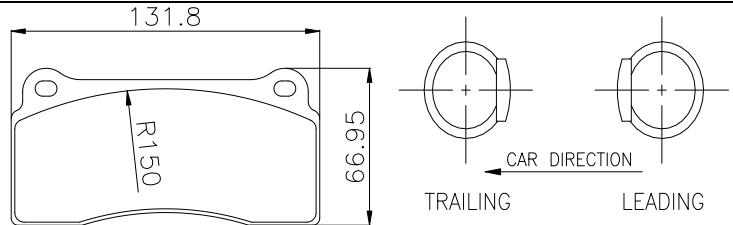
● BRF4P

TECHNICAL SPECIFICATION

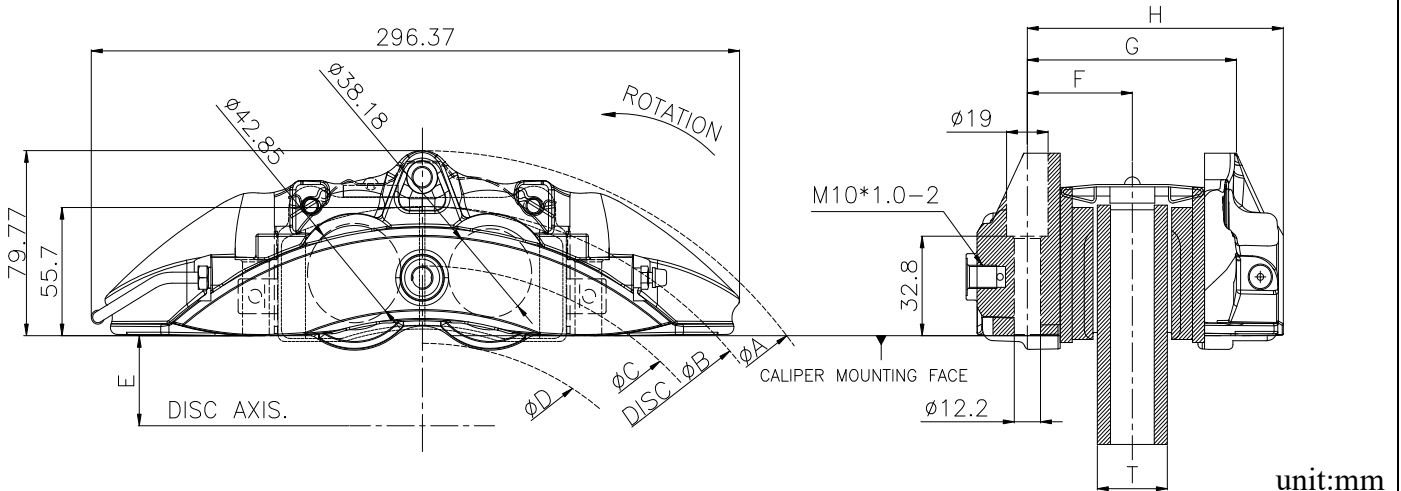
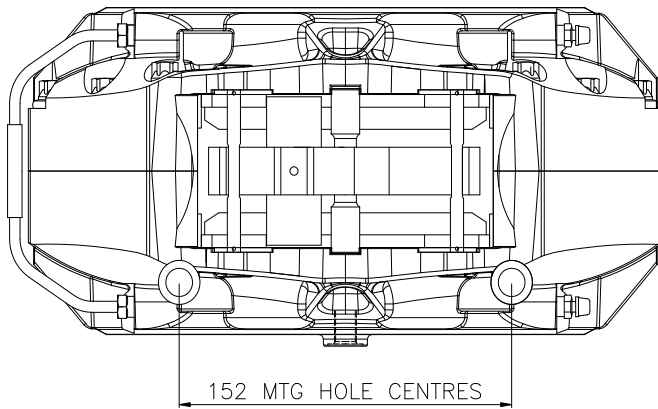
Piston Size	$\phi 38.18\text{mm} * 2 + \phi 42.85\text{mm} * 2 ; \phi 33.96\text{mm} * 4(\text{REAR})$		
Piston Area	$25.86\text{cm}^2 * 2 ; 18.1\text{cm}^2 * 2$	'PL' Dimension	55.7mm
Piston Material	Aluminum Alloy	Caliper Body	2 pieces
Disc Diameter	$\sim \phi 355\text{mm}$	Caliper Material	Aluminum Alloy Forged
Disc Thicknesses	T:24mm(T22~T26mm)		
Weight(Less Pads)	3.1kg(One side)		
Hydraulic Threads	M10*1.0		
Mounting	Radial		
- centres	152mm		
- offset	44mm		
- hole ϕ	12.2mm		


PAD FAMILY(HF4BP)

Pad Area=64.2cm²
 Pad Depth=51.2mm
 Pad Thickness=15mm(with shim, panel thickness 5.5mm)
 Pad Weight =1.88kg(4 pieces)



NO	DISC	$\phi B/T$	ϕA	ϕB	ϕC	ϕD	E	F	G	H
1	$\phi 330/24$		382.3	330	276.8	211.21	108.3	44	90.6	110
2	$\phi 355/24$		401.3	355	301.8	235.62	120.8	44	90.6	110



unit:mm

隼湧國際貿易股份有限公司

JOYOM INTERNATIONAL TRADING CO.,LTD.