

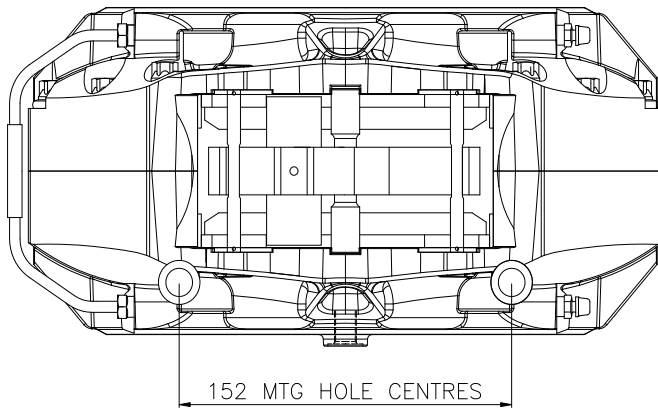
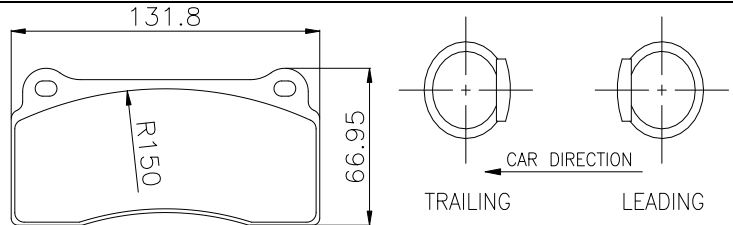
● BRF4P

**TECHNICAL SPECIFICATION**

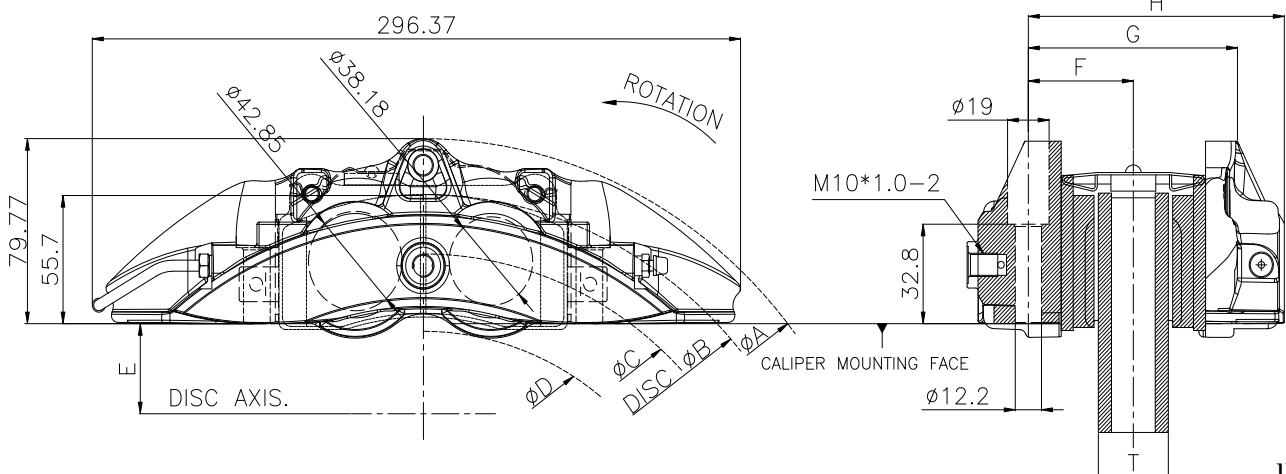
Piston Size	$\phi 38.18\text{mm} * 2 + \phi 42.85\text{mm} * 2 ; \phi 33.96\text{mm} * 4(\text{REAR})$		
Piston Area	$25.86\text{cm}^2 * 2 ; 18.1\text{cm}^2 * 2$	'PL' Dimension	55.7mm
Piston Material	Aluminum Alloy	Caliper Body	2 pieces
Disc Diameter	$\phi 330\text{mm} \sim \phi 380\text{mm}$	Caliper Material	Aluminum Alloy Forged
Disc Thicknesses	T:30mm(T28~T32mm)		
Weight(Less Pads)	3.1kg(One side)		
Hydraulic Threads	M10*1.0		
Mounting	Radial		
- centres	152mm		
- offset	47 mm		
- hole $\phi$	12.2mm		


**PAD FAMILY(HF4BP)**

Pad Area=64.2cm<sup>2</sup>  
 Pad Depth=51.2mm  
 Pad Thickness=15mm(with shim, panel thickness 5.5mm)  
 Pad Weight =1.88kg(4 pieces)



NO	DISC $\phi$ B/T	$\phi$ A	$\phi$ B	$\phi$ C	$\phi$ D	E	F	G	H
1	$\phi 330/30$	382.3	330	276.8	211.21	108.3	47	93.6	116
2	$\phi 355/30$	401.3	355	301.8	235.62	120.8	47	93.6	116
3	$\phi 380/30$	428.2	380	328.8	262.08	134.3	47	93.6	116



unit:mm

隼湧國際貿易股份有限公司

JOYOM INTERNATIONAL TRADING CO.,LTD.