

TECHNICAL SPECIFICATION

Piston Size	$\phi 30.23\text{mm} * 2 + \phi 33.96\text{mm} * 2 / \phi 27\text{mm} * 2 + \phi 30.23\text{mm} * 2$ Length:20mm		
Piston Area	$16.2\text{cm}^2 * 2 / 12.9\text{cm}^2 * 2$	'PL' Dimension	33.5mm
Piston Material	Aluminum Alloy	Caliper Body	2 pieces
Disc Diameter	$\phi 320(\text{MAX})\text{mm}$	Caliper Material	Aluminum Alloy Forged
Disc Thicknesses	3.5(MIN)~5(MAX)mm		
Weight(Less Pads)	xxxkg		
Hydraulic Threads	M10*1.25		
Mounting	Radial		
- centres	100mm		
- offset	30mm		
- hole ϕ	10.1mm		

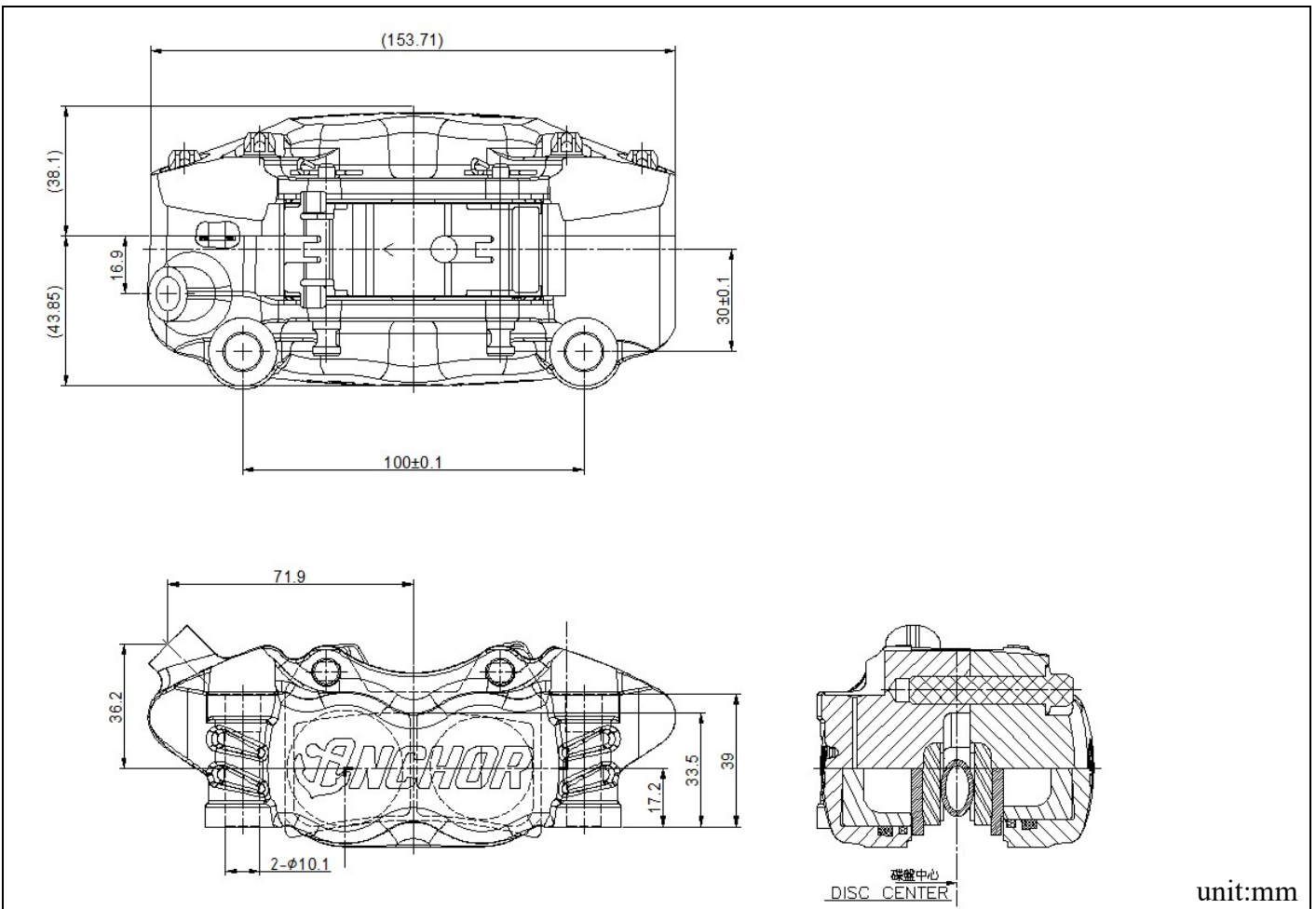
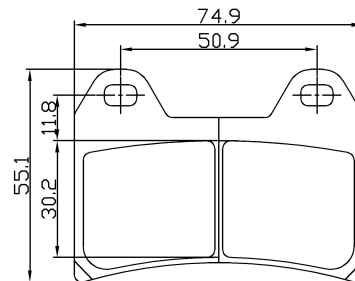
PAD FAMILY(PAD-ISI06)

Pad Area=20.6cm²

Pad Depth=30.2mm

Pad Thickness - Sintered=8.6mm(panel thickness 3.2mm)

Pad Weight =0.2kg(2 pieces)



unit:mm