

● 6T4

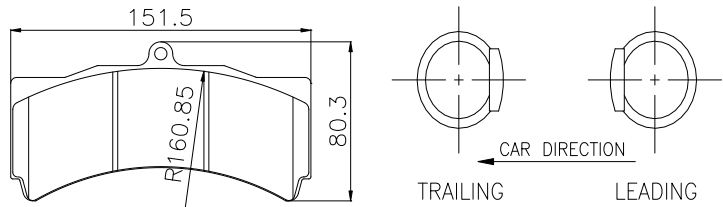
**TECHNICAL SPECIFICATION**

Piston Size	$\phi$ 33.96mm*4	'PL' Dimension	I
Piston Area	18.11cm <sup>2</sup> *2	Caliper Body	2pieces
Piston Material	Aluminum Alloy	Caliper Material	Aluminum Alloy Forged
Disc Diameter	$\phi$ B		
Disc Thicknesses	T		
Weight(Less Pads)	3.2kg(One side)		
Hydraulic Threads	M10*1.0		
Mounting	Radial		
centres	154mm		
offset	52.4mm		
hole $\phi$	12.2mm		

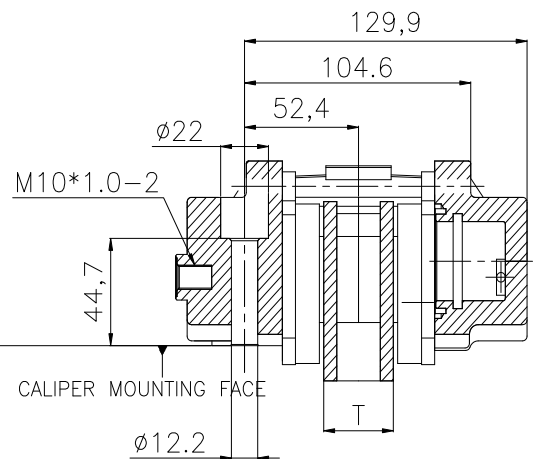
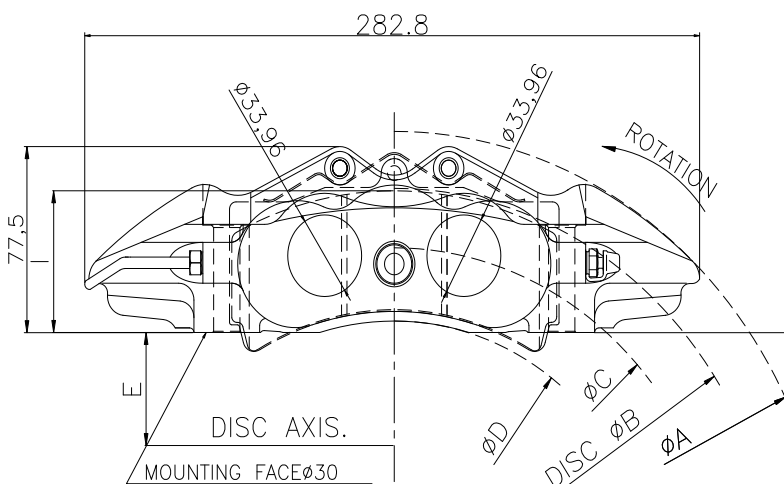
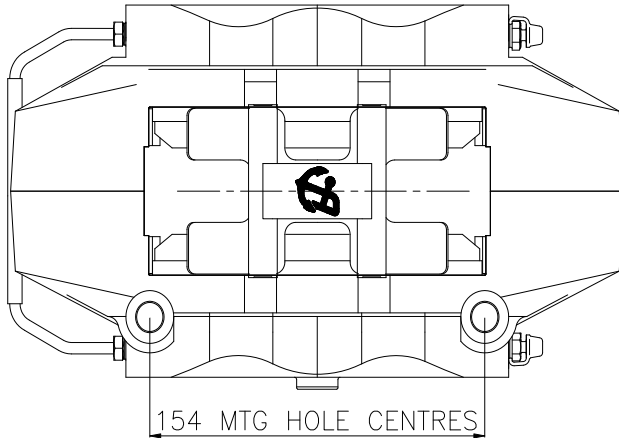


**PAD FAMILY(HF6CP)**

Pad Area=74.5cm<sup>2</sup>  
 Pad Depth=49.5mm  
 Pad Thickness=17mm(with shim, panel thickness 6mm)  
 Pad Weight =1.03kg(2pieces)



NOD	DISC $\phi$ B/T	$\phi$ A	$\phi$ B	$\phi$ C	$\phi$ D	E	I
1	$\phi$ 330/30,32	384.03	330	278.56	222.05	104.7	59.3
2	$\phi$ 355/32	402.66	355	305.51	244.5	117.7	59.3
3	$\phi$ 380/32	427.44	380	334.49	272.72	132.2	57.8



unit:mm