

● 4BPA

TECHNICAL SPECIFICATION

Piston Size	$\phi 38.18\text{mm} * 2 + \phi 42.85\text{mm} * 2 ; \phi 33.96\text{mm} * 4(\text{REAR})$		
Piston Area	$25.86\text{cm}^2 * 2 ; 18.1\text{cm}^2 * 2 (\text{REAR})$	'PL' Dimension	51 mm
Piston Material	Aluminum Alloy	Caliper Body	2 pieces
Disc Diameter	ϕB	Caliper Material	Aluminum Alloy Forged
Disc Thicknesses	T:30mm(T28~T32mm)		
Weight(Less Pads)	2.83kg		
Hydraulic Threads	M10*1.0		
Mounting	Radial		
centres	130mm		
offset	F mm		
hole ϕ	12.2mm		

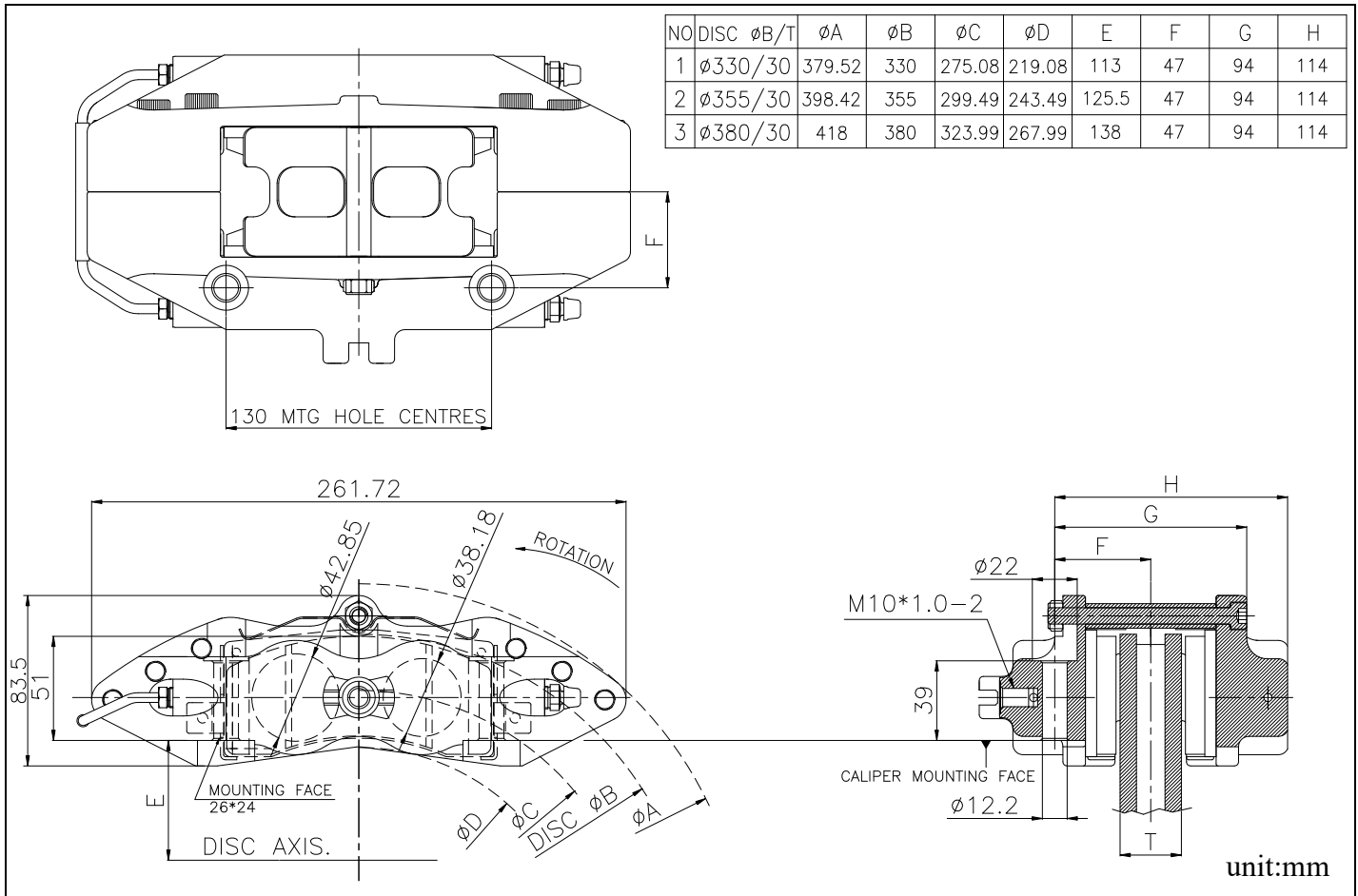
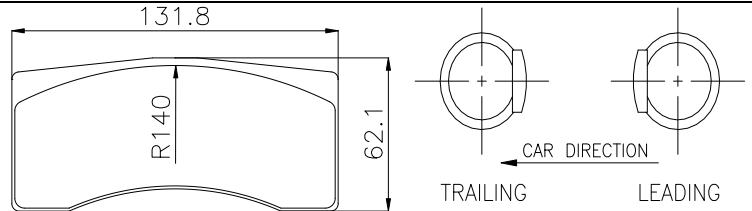

PAD FAMILY(HF4BPA)

 Pad Area=62.9cm²

Pad Depth=48.8mm

Pad Thickness=15mm(with shim, panel thicknes 5.5mm)

Pad Weight =0.87kg(2pieces)



隼湧國際貿易股份有限公司

JOYOM INTERATIONAL TRADING CO.,LTD.

<http://www.anchor-brake.com.tw/>

E-mail: sa2@horngfuu.com.tw TEL: +886-3-371-0789 FAX: +886-3-371-0777