

TECHNICAL SPECIFICATION

Piston Size	$\phi 30.23\text{mm} * 2 + \phi 33.96\text{mm} * 2$	
Piston Area	$16.2\text{cm}^2 * 2$	'PL' Dimension 53mm
Piston Material	Aluminum Alloy	Caliper Body 2 pieces
Disc Diameter	$\phi 220\text{mm}$	Caliper Material Aluminum Alloy CNC
Disc Thicknesses	3.5(MIN)~5(MAX)mm	
Weight(Less Pads)	0.67kg	
Hydraulic Threads	M10*1.25	
Mounting	Axial(Lug)	
- centres	128mm	
- offset	12.1mm	
- threads	M8*1.25	

PAD FAMILY(59-110)

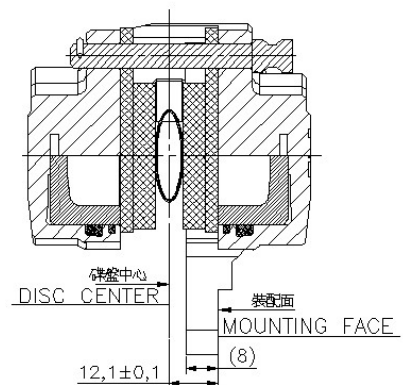
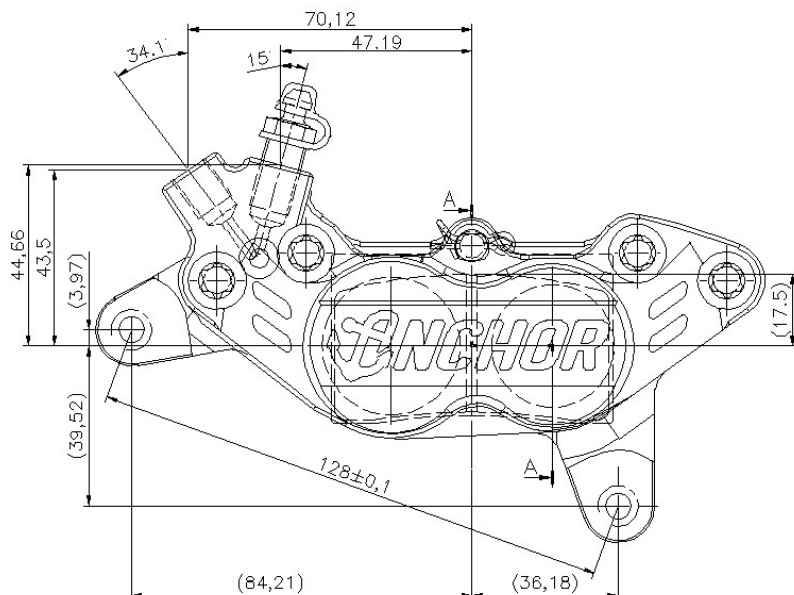
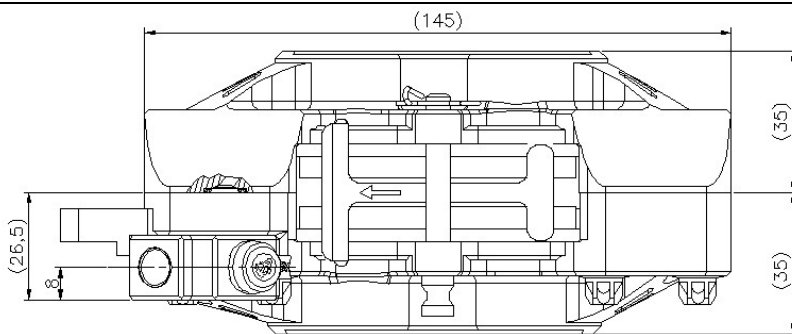
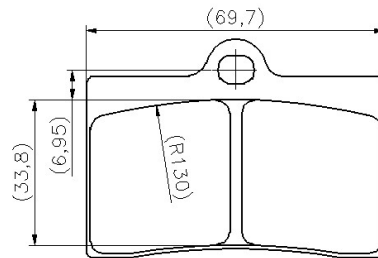
Pad Area=21.56cm²

Pad Depth=33.8mm

Pad Thickness - Organic=8.5mm(plate thickness 3mm)

- Sintered=8mm(plate thickness 3.2mm)

Pad Weight =0.24kg(2 pieces)



unit:mm