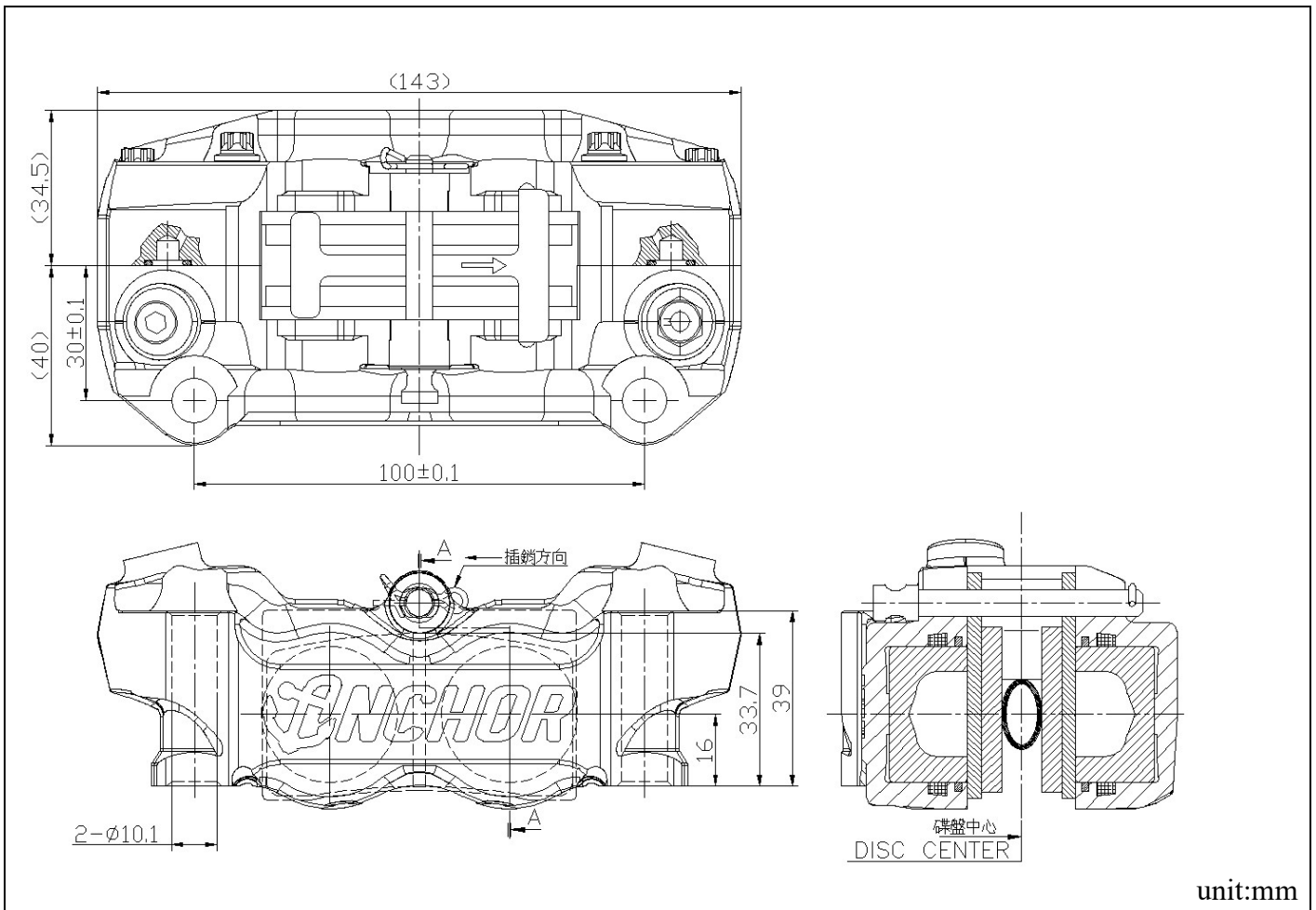
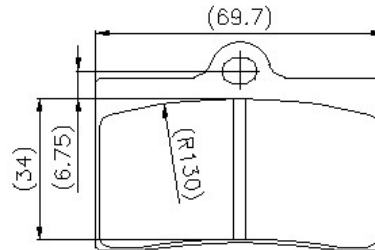


**TECHNICAL SPECIFICATION**

Piston Size	$\phi$ 30.23mm*4	'PL' Dimension	33.7mm
Piston Area	14.4cm <sup>2</sup> *2	Caliper Body	2 pieces
Piston Material	Aluminum Alloy	Caliper Material	Aluminum Alloy Forged
Disc Diameter	$\phi$ 320(MAX)mm		
Disc Thicknesses	3.5(MIN)~5(MAX)mm		
Weight(Less Pads)	0.72kg		
Hydraulic Threads	M10*1.25		
Mounting	Radial		
- centres	100mm		
- offset	30mm		
- hole $\phi$	10.1mm		

**PAD FAMILY(59-110)**

Pad Area=21.77cm<sup>2</sup>  
 Pad Depth=34mm  
 Pad Thickness - Organic=8.5mm(plate thickness 3mm)  
 - Sintered=8mm(plate thickness 3.2mm)  
 Pad Weight =0.19kg(2 pieces)



unit:mm