

● BRF4PR



LARGE 4 PISTON FORGED CALIPER  
大對4 活塞鍛造卡鉗(BRF4PR#250R)

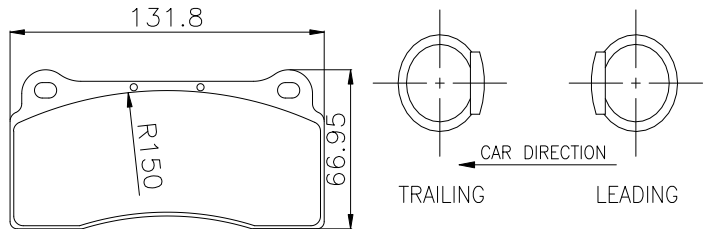
**TECHNICAL SPECIFICATION**

Piston Size	$\phi 33.96\text{mm} \times 4(\text{REAR})$	'PL' Dimension	55.7mm
Piston Area	$18.1\text{cm}^2 \times 2$	Caliper Body	2 pieces
Piston Material	Aluminum Alloy	Caliper Material	Aluminum Alloy Forged
Disc Diameter	$\phi 330\text{mm} \sim \phi 380\text{mm}$		
Disc Thicknesses	T:11mm(Max:13mm)		
Weight(Less Pads)	3.1kg(One side)		
Hydraulic Threads	M10*1.0		
Mounting	Radial		
- centres	152mm		
- offset	37.5mm		
- hole $\phi$	12.2mm		

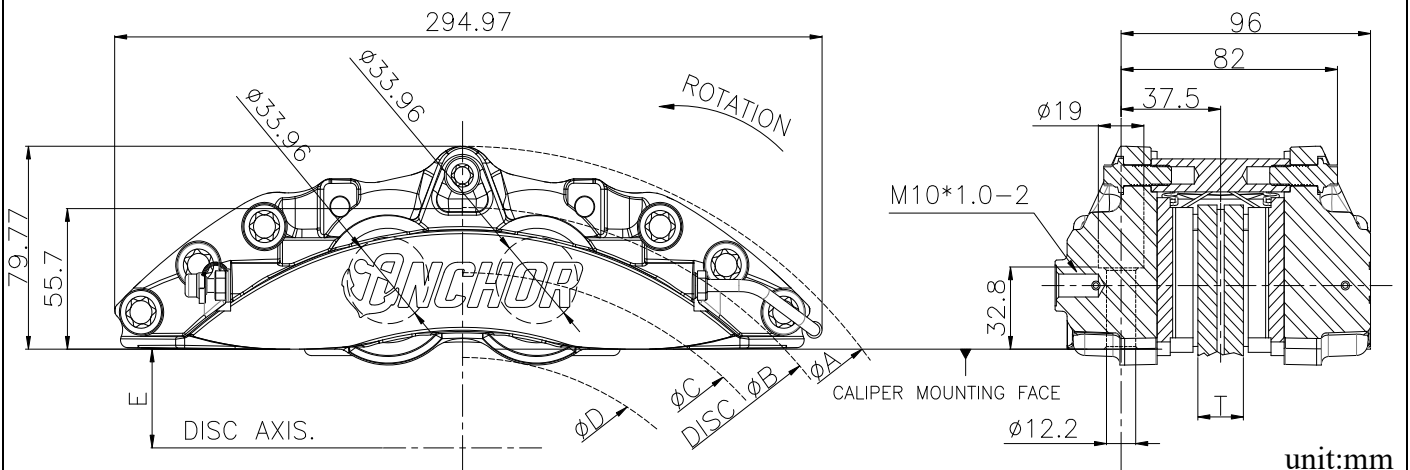
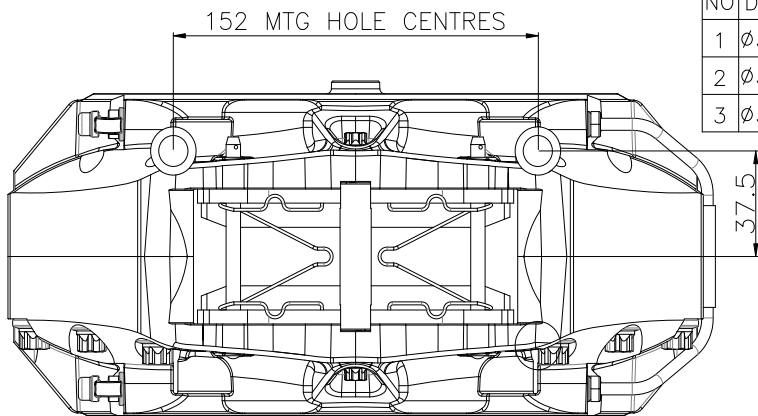


**PAD FAMILY(HF4BP)**

Pad Area=64.2cm<sup>2</sup>  
Pad Depth=51.2mm  
Pad Thickness=15mm(with shim, panel thickness 5.5mm)  
Pad Weight =1.88kg(4 pieces)



NO	DISC $\phi$ B/T	$\phi$ A	$\phi$ B	$\phi$ C	$\phi$ D	E
1	$\phi 330/\text{T11}$	382.3	330	276.8	211.21	108.3
2	$\phi 355/\text{T11}$	401.3	355	301.8	235.62	120.8
3	$\phi 380/\text{T11}$	428.2	380	328.8	262.08	134.3



unit:mm

隼湧國際貿易股份有限公司

JOYOM INTERATIONAL TRADING CO.,LTD.

<http://www.anchor-brake.com.tw/>

E-mail: sa2@horngfuu.com.tw

TEL: +886-3-371-0789

FAX: +886-3-371-0777