

● 4BPD

TECHNICAL SPECIFICATION

Piston Size	$\phi 38.18\text{mm} * 2 + \phi 42.85\text{mm} * 2 ; \phi 33.96\text{mm} * 4(\text{REAR})$		
Piston Area	$25.86\text{cm}^2 * 2 ; 18.1\text{cm}^2 * 2 (\text{REAR})$	'PL' Dimension	55.25mm
Piston Material	Aluminum Alloy	Caliper Body	2 pieces
Disc Diameter	$\phi 330\text{mm} \sim 355\text{mm}$	Caliper Material	Aluminum Alloy Forged
Disc Thicknesses	T:30mm(T28~T32mm)		
Weight(Less Pads)	2.8kg(One side)		
Hydraulic Threads	M10*1.0		
Mounting	Radial		
- centres	130mm		
- offset	47mm		
- hole ϕ	12.2mm		

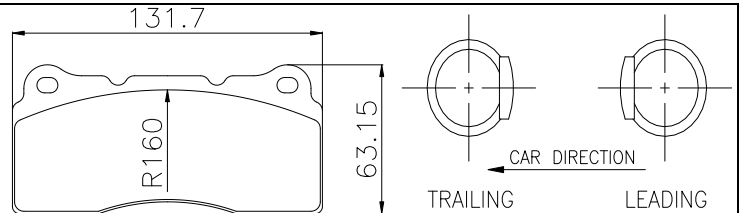

PAD FAMILY(HF4CP)

 Pad Area=59cm²

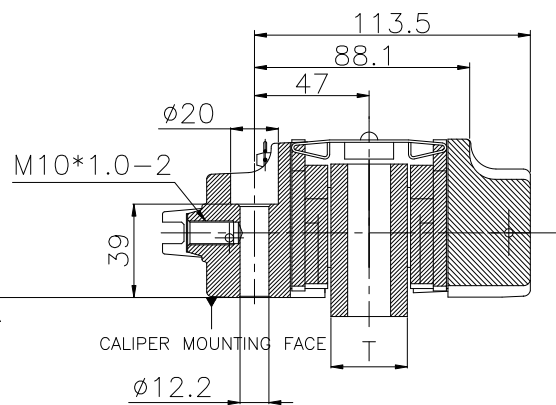
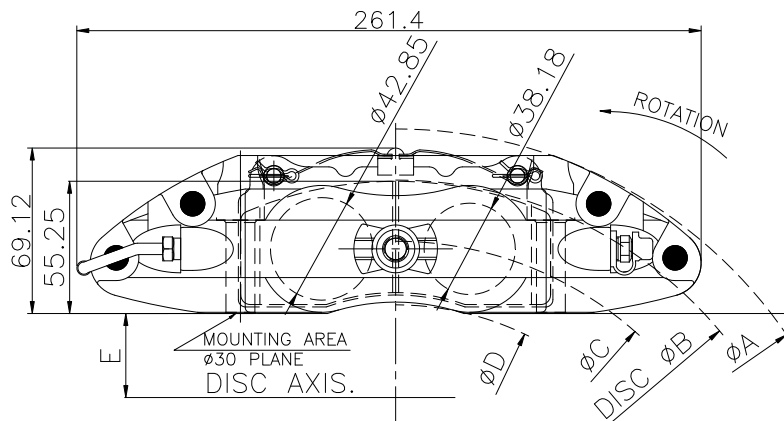
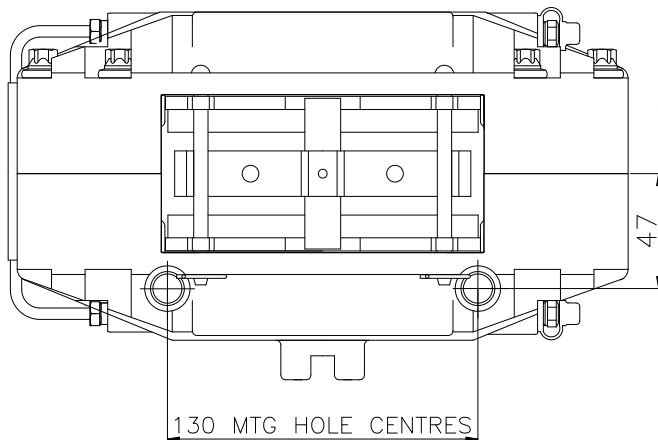
Pad Depth=46.5mm

Pad Thickness=15mm(with shim, panel thicknes 5.5mm)

Pad Weight =0.85kg(2 pieces)



NO	DISC ϕ B/T	ϕ A	ϕ B	ϕ C	ϕ D	E
1	$\phi 330/30$	375.36	330	278.49	225.59	108.75
2	$\phi 355/30$	398	355	303.92	250.76	121.75



unit:mm

隼湧國際貿易股份有限公司

JOYOM INTERNATIONAL TRADING CO.,LTD.