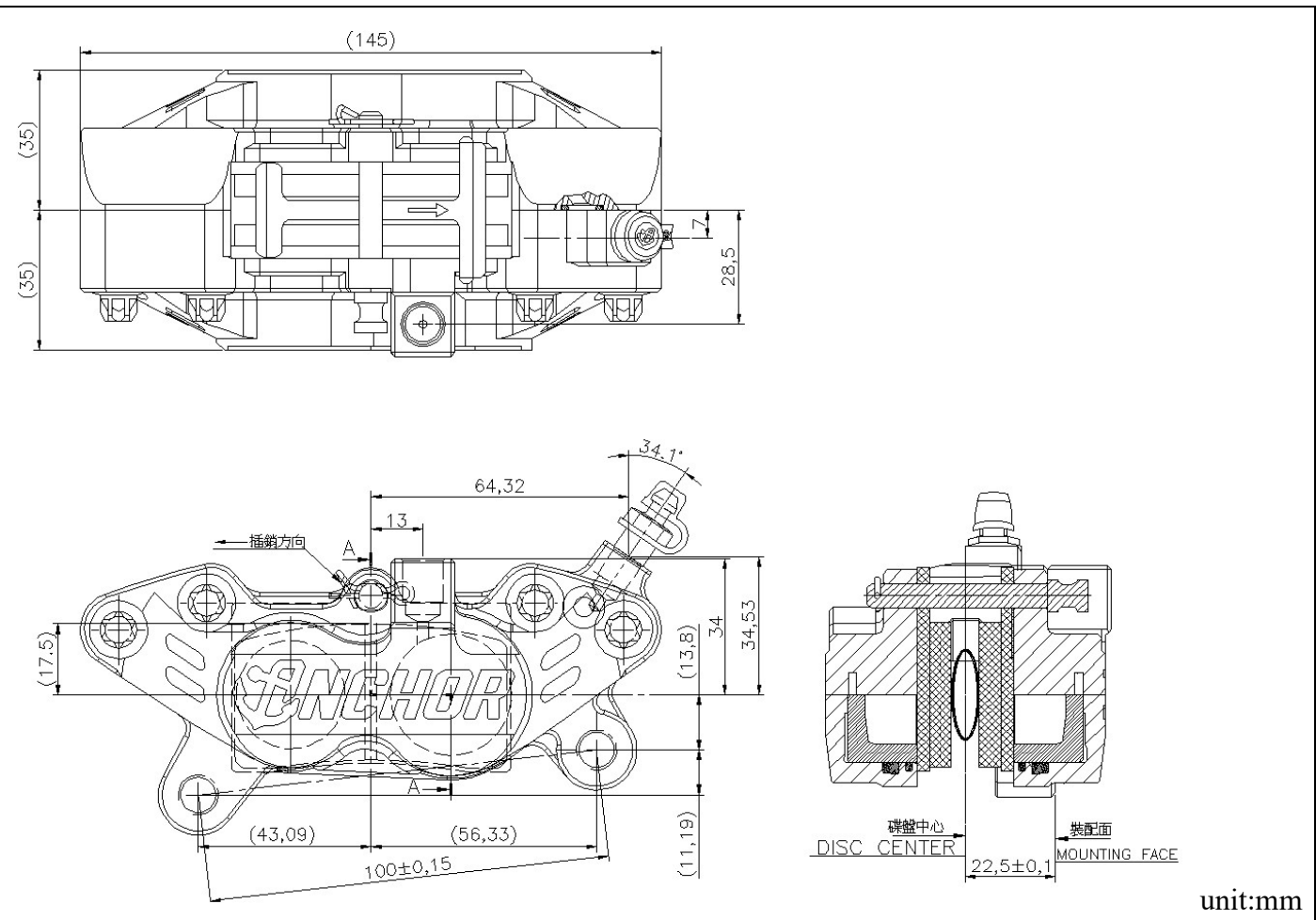
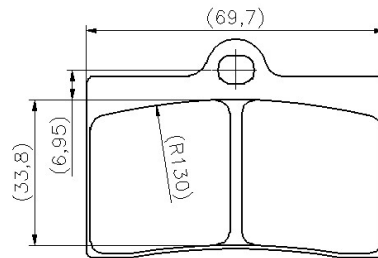


TECHNICAL SPECIFICATION

Piston Size	$\phi 27\text{mm} \times 2 + \phi 30.23\text{mm} \times 2$	'PL' Dimension	42.5mm
Piston Area	$12.9\text{cm}^2 \times 2$	Caliper Body	2 pieces
Piston Material	Aluminum Alloy	Caliper Material	Aluminum Alloy CNC
Disc Diameter	$\phi 245\text{mm}$		
Disc Thicknesses	3.5(MIN)~5(MAX)mm		
Weight(Less Pads)	0.63kg		
Hydraulic Threads	M10*1.25		
Mounting	Axial(Lug)		
- centres	100mm		
- offset	22.5mm		
- threads	M10*1.25		

PAD FAMILY(59-110)

Pad Area=21.56cm²
 Pad Depth=33.8mm
 Pad Thickness - Organic=8.5mm(plate thickness 3mm)
 - Sintered=8mm(plate thickness 3.2mm)
 Pad Weight =0.24kg(2 pieces)



unit:mm